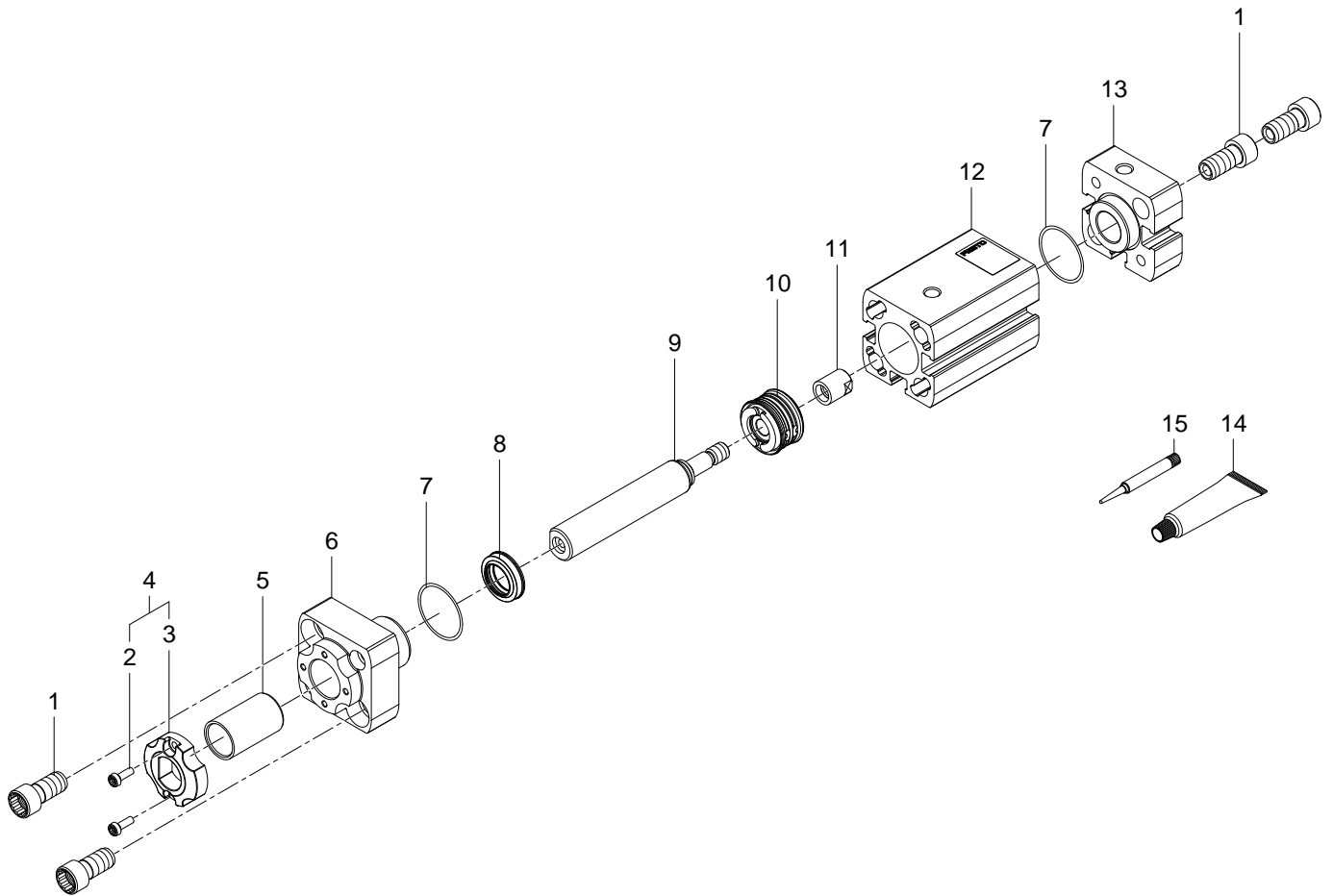


576068 DFSP-Q-16-10-DF-PA Stopper cylinder - Series: All



## 576068 DFSP-Q-16-10-DF-PA Stopper cylinder - Series: All

Pos.	Part no.	Type	Note	Qty.	Unit
A	8005115	DFSP-...-16 Set of wearing parts	Spare parts: 7, 8, 10, 14, 15	1	PC
1	658854	ADN-12/16 flange screw	Tightening torque 6 Nm / 4.4 lbf ft	4	PC
2		ISO 14580-M2X6-A2-50 Socket head screw	Not available separately, see position 4 Use locking compound Loctite-243	2	PC
3		DFSP-Q-16 Ring	Not available separately, see position 4	1	PC
4	8005114	DFSP-Q-16 ET Ring		1	PC
5		XSM-1012-20 Plain bearing	Not available Grease using during assembly. See position 14	1	PC
6		DFSP-Q-16 Bearing cap module	Not available	1	PC
7		B-16X0,6-N-NBR70 O-ring ISO3601	Not available separately, see position A Grease using during assembly. See position 14	2	PC
8	8188158	WIFC1-10X14X3,7-TPE-U Wiper seal	Grease using during assembly. See position 14	1	PC
9		IRA-10-X0035,1-S Piston rod	Not available Use locking compound. See position 15	1	PC
10		BA-K10D-016-A Complete piston	Not available separately, see position A Grease using during assembly. See position 14	1	PC
11		DSNU-16 Nut	Not available Tightening torque 1.5 Nm / 1.1 lbf ft	1	PC
12		DFSP-16-X Cylinder barrel	Not available Grease using during assembly. See position 14	1	PC
13		DFSP-16 End cap	Not available	1	PC
14	684474	LUB-KC1 SILIKONFREI 20ML Lubricating grease		1	PC
15	8181256	CYBERBOND TM44 TB1ML Adhesive bonding agent		1	PC