



EN

Datasheet

RS PRO NYLON-INSULATED CORD END TERMINALS

Stock number: 178-7333

MAXIMUM ELECTRIC CURRENT:

A.W.G.	6
AMP.	95

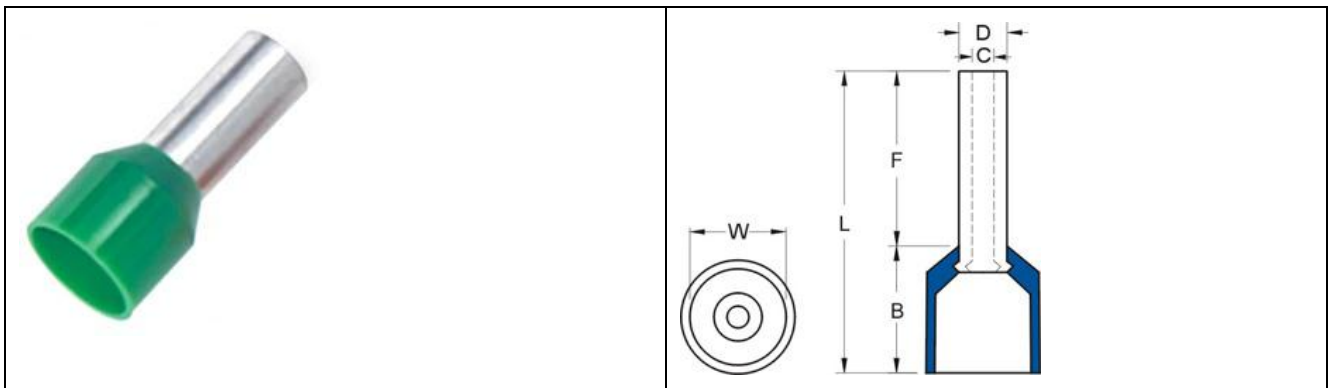
MAXIMUM ELECTRICAL RATING: 105° C 600 VOLTS MAX.

INSULATION MATERIAL: NYLON

TERMINAL MATERIAL: COPPER TUBE

SURFACE TREATMENT: TIN PLATE

INSULATION COLOR: GREEN



WIRE RANGE A.W.G. mm ²	ITEM NO.	DIMENSION inch(mm)					
		F	L	W	B	D	C
6 A.W.G.	178-7333	0.709	1.102	0.346	0.394	0.244	0.228
16 mm ²		18	28	8.8	10	6.200	5.8