
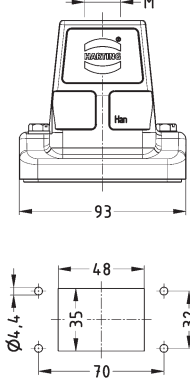
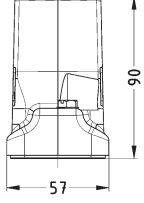

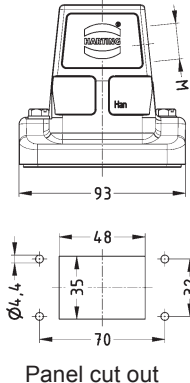
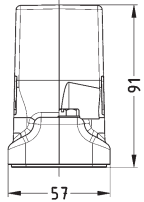

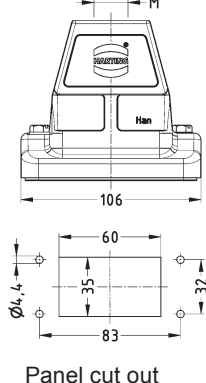
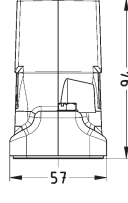

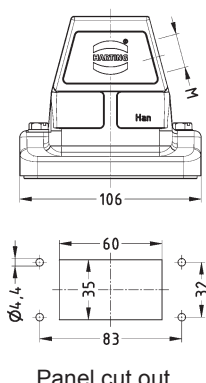
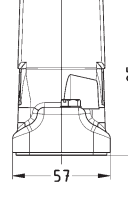



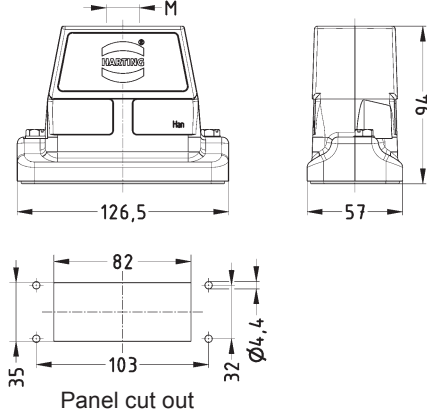

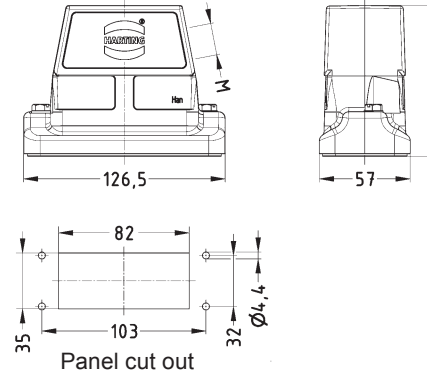

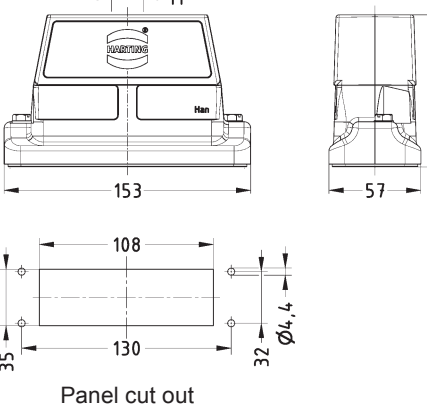

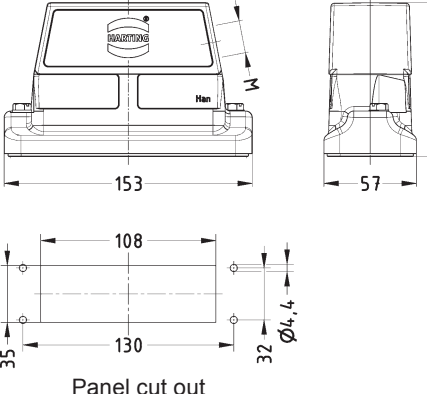
## Features

- System of hoods without using a bulkhead mounted housing on the device side
- Hoods in sizes 6 B, 10 B, 16 B and 24 B
- Suitable for all inserts Han® B
- Top and side entry ranging from M20 to M40 for all sizes
- Optional coding by means of two coding elements
- Panel cut-outs compatible with standard Han® B panel cut-outs

## Technical characteristics

Specifications	DIN EN 61984 DIN EN 60664-1
<b>Hoods</b>	
Material	aluminium die-cast
Colour	RAL 7037 (grey)
Surface	
- top coat	powder coated
<b>Locking element</b>	
Screw locking	M6
Material	stainless steel
Tightening torque	4 Nm
Hoods seal	NBR
<b>Mounting flange</b>	
Material	zinc die-cast
Colour	unpainted
Surface	electrically conductive
<b>Coding element</b>	
Material	polycarbonate
Color	red
Limiting temperatures	-40 °C ... +125 °C
Protection degree acc. to DIN EN 60529 in locked position	IP66 / IP68 / IP69K

Identification	Part number	Cable entry	Drawing	Dimensions in mm
<p><b>Han® 6 HP Direct B</b></p> <p>Hoods top entry</p> 	<p>19 39 606 0445 19 39 606 0446 19 39 606 0447 19 39 606 0448</p>	<p>M20 M25 M32 M40</p>	 <p>Panel cut out</p>	
<p><b>Han® 6 HP Direct B</b></p> <p>Hoods side entry</p> 	<p>19 39 606 0545 19 39 606 0546 19 39 606 0547 19 39 606 0548</p>	<p>M20 M25 M32 M40</p>	 <p>Panel cut out</p>	
<p><b>Han® 10 HP Direct B</b></p> <p>Hoods top entry</p> 	<p>19 39 610 0445 19 39 610 0446 19 39 610 0447 19 39 610 0448</p>	<p>M20 M25 M32 M40</p>	 <p>Panel cut out</p>	
<p><b>Han® 10 HP Direct B</b></p> <p>Hoods side entry</p> 	<p>19 39 610 0545 19 39 610 0546 19 39 610 0547 19 39 610 0548</p>	<p>M20 M25 M32 M40</p>	 <p>Panel cut out</p>	

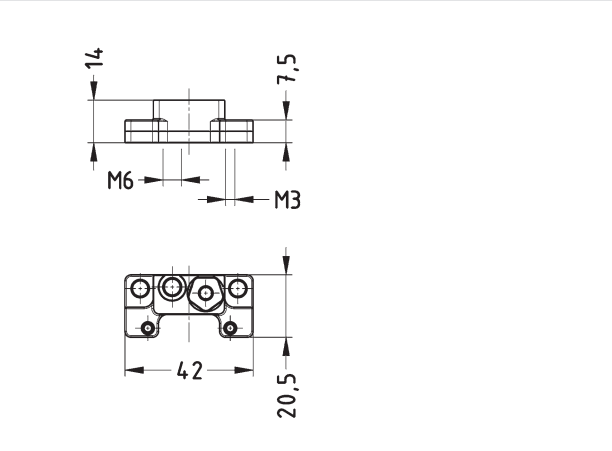
Identification	Part number	Cable entry	Drawing	Dimensions in mm
<p>Han® 16 HP Direct B</p> <p>Hoods top entry</p> 	<p>19 39 616 0445 19 39 616 0446 19 39 616 0447 19 39 616 0448</p>	<p>M20 M25 M32 M40</p>	 <p>Panel cut out</p>	
<p>Han® 16 HP Direct B</p> <p>Hoods side entry</p> 	<p>19 39 616 0545 19 39 616 0546 19 39 616 0547 19 39 616 0548</p>	<p>M20 M25 M32 M40</p>	 <p>Panel cut out</p>	
<p>Han® 24 HP Direct B</p> <p>Hoods top entry</p> 	<p>19 39 624 0445 19 39 624 0446 19 39 624 0447 19 39 624 0448</p>	<p>M20 M25 M32 M40</p>	 <p>Panel cut out</p>	
<p>Han® 24 HP Direct B</p> <p>Hoods side entry</p> 	<p>19 39 624 0545 19 39 624 0546 19 39 624 0547 19 39 624 0548</p>	<p>M20 M25 M32 M40</p>	 <p>Panel cut out</p>	

Identification	Part number	Drawing	Dimensions in mm
----------------	-------------	---------	------------------


**Mounting flanges**  
Set of 2 pieces



09 39 000 9902



**Coding elements**  
Set of 4 pieces



09 39 000 9903

