



1797436 8OHM, 15×15×4tMM DYNAMIC SPEAKER

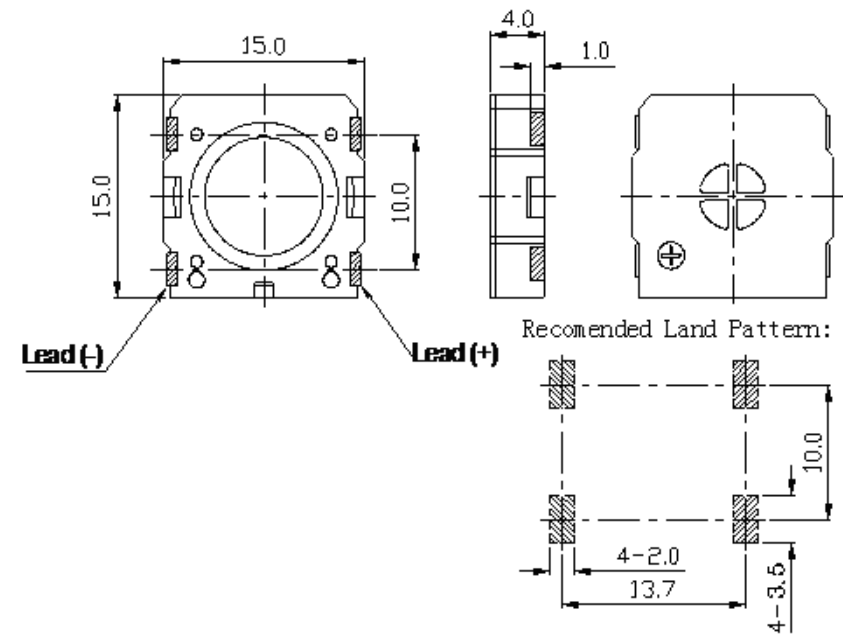
SPEAKERS

Specifications

1797436

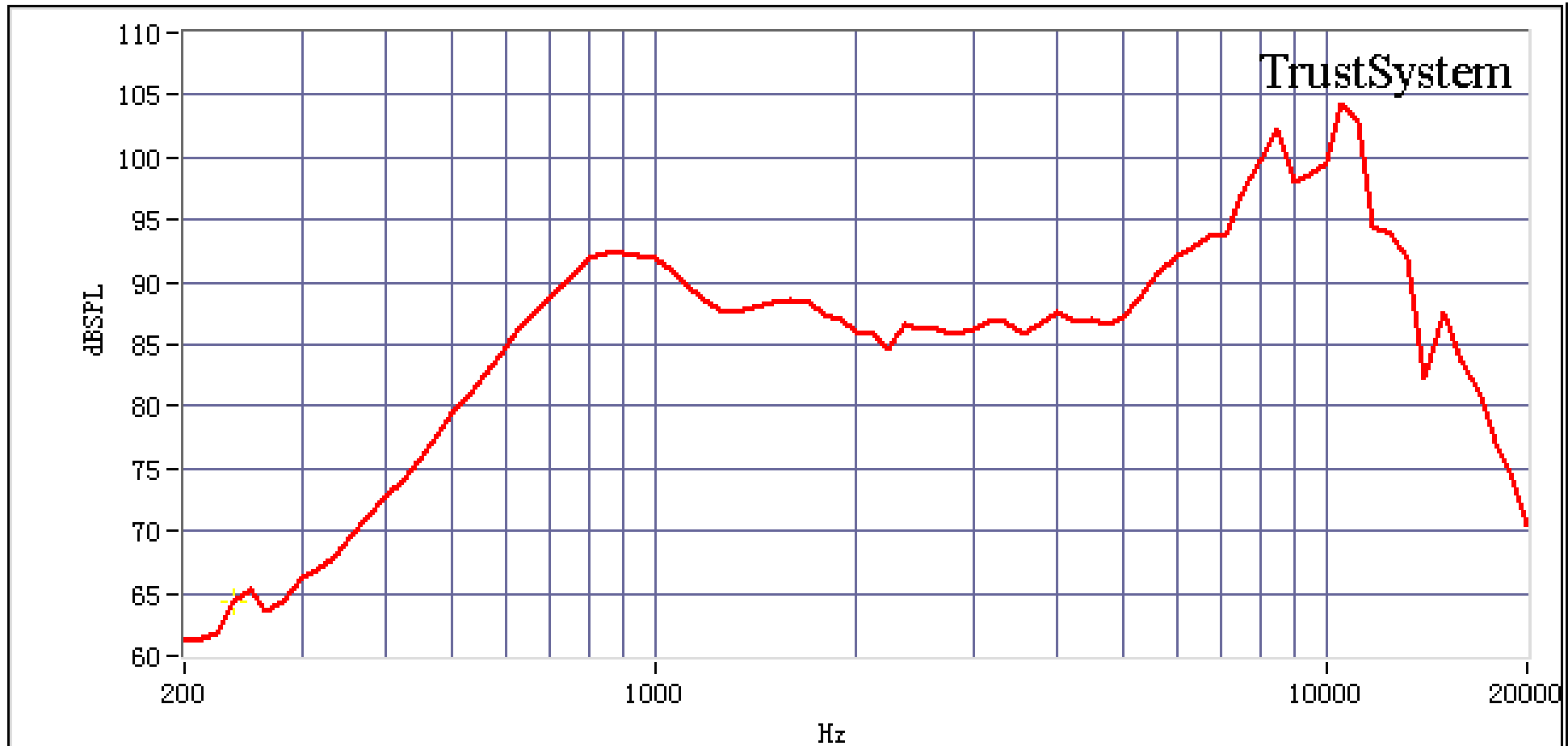
Rated impedance	8±15%Ω/1KHz/1V
Rated power	0.5W
Maximum power	0.8W (max 1 minute)
Resonant frequency	850±15%Hz/1V
Sound pressure level at 1KHz, 1.2KHz,1.5KHz, 2KHz sine wave, 0.5W/0.1m baffle board (IEC)	88±3dB
Frequency range	f0Hz-20KHz
Total harmonic distortion	10% Max at 2KHz/0.5W
Operating temperature	-20°~+70°C
Storage temperature	-20°~+70°C
Weight	1.5g
Voice coil diameter	ø7.4mm
Magnet size (SmCo)	ø6.8x1.1mm

Part Name	Qty	Material
Frame	1	LCP
Yokel	1	SPCC
Diaphragm	1	PI
Voice coil	1	Copper
Plate	1	SPCC
Magnet	1	SmCo
Terminal	2	Cu+Sn
Cap	1	LCP



Dimensions Unit: mm

Frequency response curve:

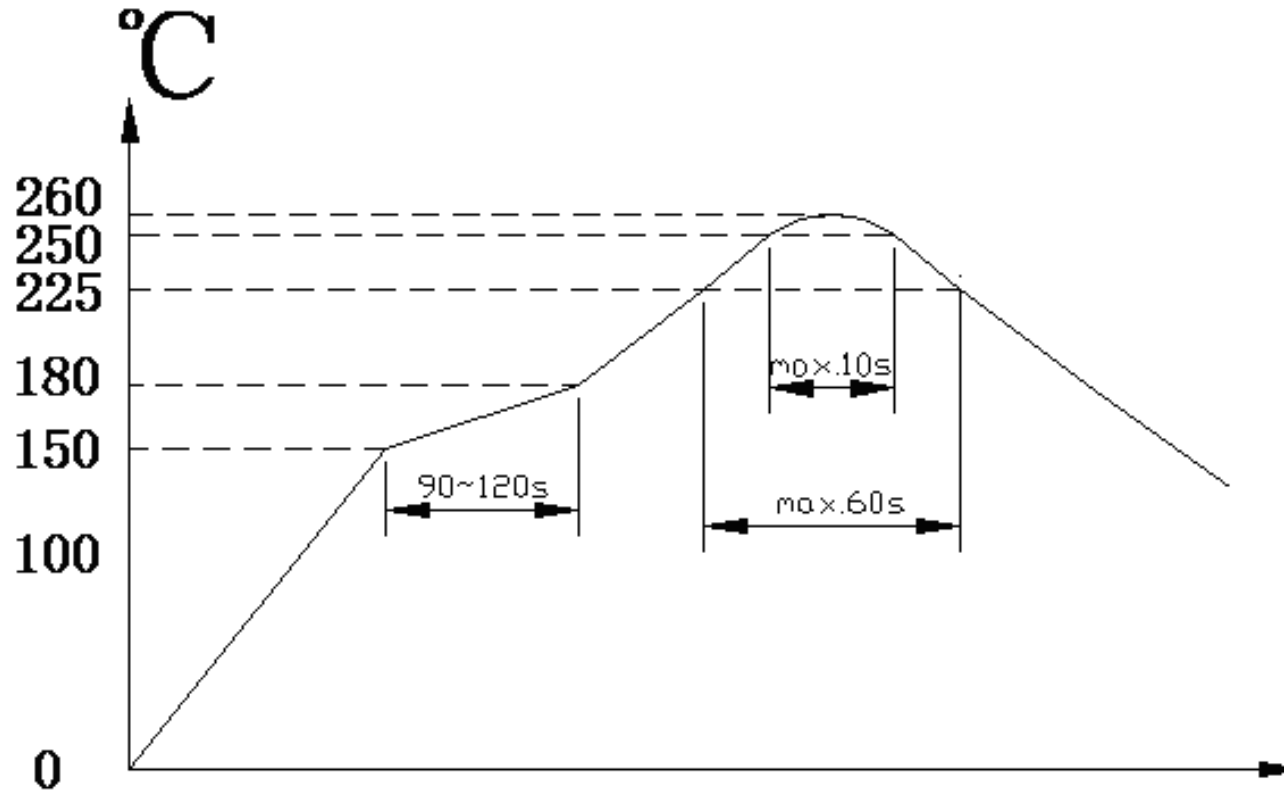


Alan Butcher Components Ltd
Unit 1 Beechwood Clump Farm Industrial Estate Tin Pot Lane Blandford Dorset DT11 7TD
Telephone 01258 456360 Facsimile 01258 459194 Email sales@abcomponents.co.uk
www.abcomponents.co.uk

Soldering Condition:

It is recommended reflow soldering condition as follows -

NB: It is requested that reflow soldering should be executed after heat of product returns to normal



ALAN BUTCHER COMPONENTS LTD

Alan Butcher Components Ltd

Unit 1 Beechwood Clump Farm Industrial Estate Tin Pot Lane Blandford Dorset DT11 7TD

Telephone 01258 456360 Facsimile 01258 459194 Email sales@abcomponents.co.uk

www.abcomponents.co.uk