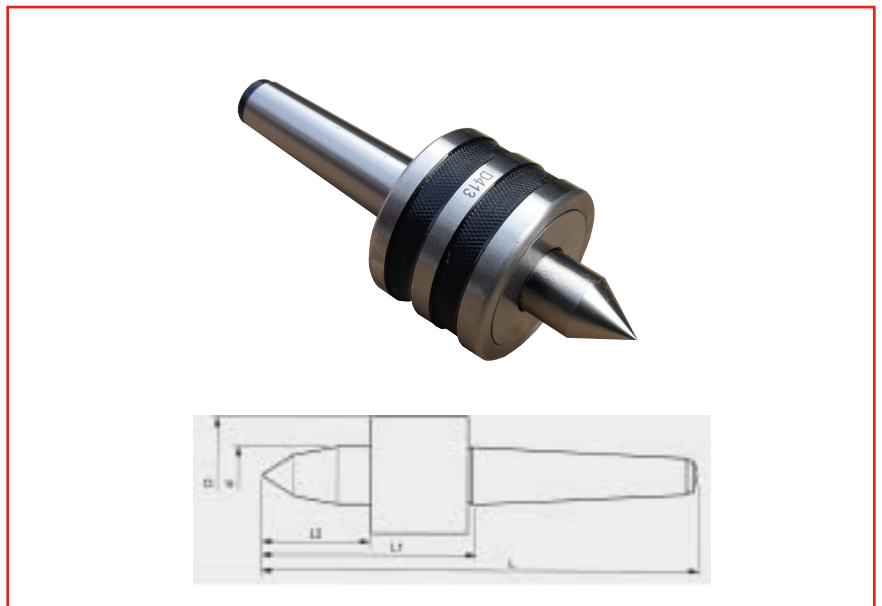


Datasheet

RS Pro Standard Revolving Centres

RS Stock No: 463-7246



Specifications:

Manufactured from high quality tool steel
 Hardened and tempered
 Precision ground externally
 60° Point
 Fully sealed bearings
 Maximum run-out 0.005mm

Order Code	MT No.	d	D	L	L1	L2	Max Weigh Load	Speed Max
463-7246	MT 4	27.5	64.5	202	92	41	750	3000

Order Code	Manufacturers Code	Description
463-7246	RC-04	Standard Revolving Centre