

Bourdon tube pressure gauges, liquid filled,

Modelcode type: 213.53.0XX

Item number: 82434743

Description

| | |
|----------------------------|---------------|
| Design according | EN 837-1 |
| Accuracy class | class 1.6 |
| Scale range | 0...100 bar |
| 2nd Scale or Special Scale | 2nd scale MPa |

Constructional design

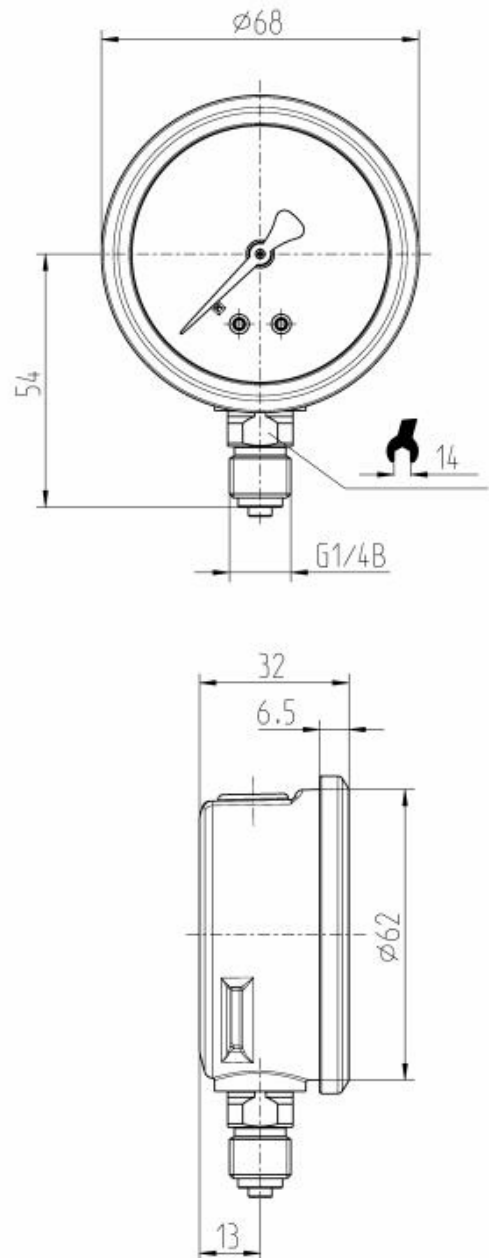
| | |
|--------------------|--|
| Process connection | G 1/4 B |
| Connector location | lower mount |
| Pressure element | Copper alloy |
| Movement | Copper alloy |
| Case | Crimp ring case (version 53) |
| Nominal size | 063 mm |
| Restrictor | brass, D 0.5 |
| Case filling fluid | Silicon oil M50 |
| Pointer | Alu Pointer - Plastic Connector (double division) |
| Window | plastic, clear |
| Dial | plastic, white, with stop-pin |

Operating conditions

| | |
|---|---|
| Pressure limitation | Steady: 3/4 x full scale value Fluctuating: 2/3 x full scale value Short time: Full scale value |
| Permissible ambient temperature | -20 ... +60 °C |
| Permissible medium temperature | +60°C maximum |
| Temperature effect when the temperature deviates from the reference temperature (+20°C) | Max. +/-0.4 %/10 K of the span |
| Ingress protection | IP 65 |

Dial description:

| | |
|-------------------------|-------|
| Pressure Gauge Standard | China |
|-------------------------|-------|



Bourdon tube pressure gauges, liquid filled,

Modelcode type: 213.53.0XX

Item number: 82434743

| | |
|-----------------------------|---------------|
| color for 1.scale (outside) | black |
| color for 2.scale (inside) | red RAL 3020 |
| dial background | White |
| Manufacturer logo | *WIKA* |
| stop pin on dial | at zero |
| norm-mark on dial | *EN 837-1* |
| safetymark on dial | *S* |
| accuracy class on dial | *Cl.1.6* |
| Labelcode | |
| Label | WIKA standard |
| language of the label | German |