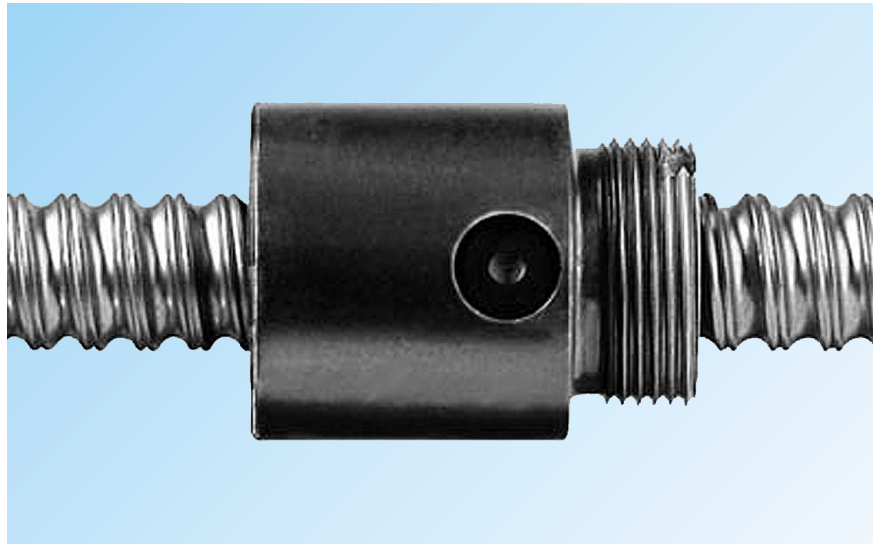


“SD”

Miniature screw

Smooth running and excellent backdriving with the new SD internal recirculation nut.

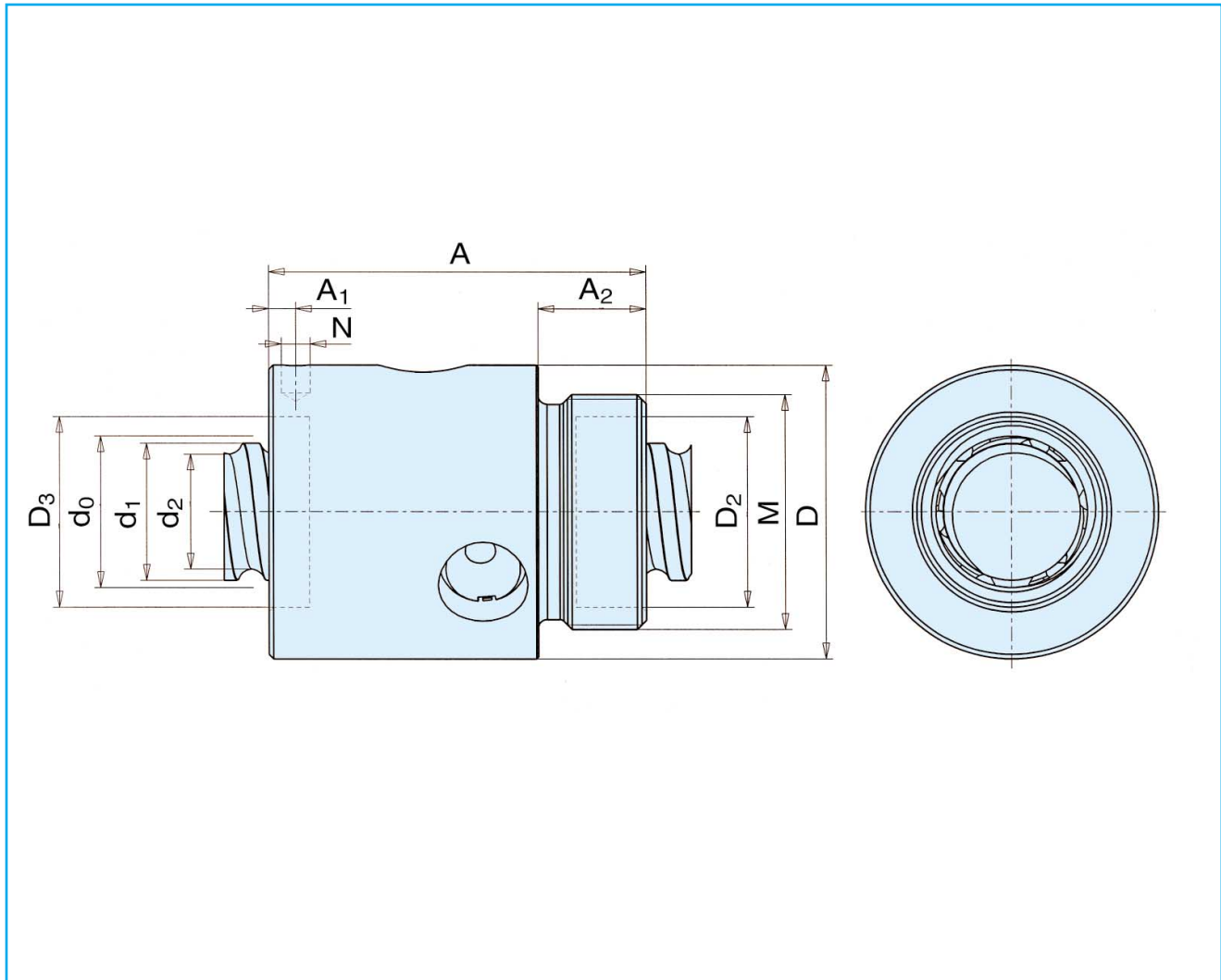


- Nominal diameter
8 to 16 mm
- Lead
2 to 5 mm
- Cylindrical nut with threaded end : easy mounting.
- Excellent repeatability :
high positioning quality.
- Internal recirculation with inserts : smooth running and good backdriving.
- Higher dynamic load capacities than the SH screw in the same diameter/lead.
- Optional safety device (*) :
12x4R - 14x4R - 16x5R
- Optional wipers (*) :
8x2,5R - 10x2R - 12x4R - 16x5R
- Corrosion resistant screw shaft available on request.

(*) It is not possible to supply safety device and wipers in the same nut.

Technical data

Nominal diameter d_0	Right hand lead P_h	Length maximum	Basic load ratings		Number of circuits of balls	Maximum axial play	Reduced maximum axial play (on request)	Mass of nut	Mass of screw shaft	Inertia of one metre of screw shaft	Designation
			dynamic C_a	static C_{0a}							
mm	mm	mm	kN		—	mm	kg	kg/m	kgmm ²		
8	2,5	1050	2,2	2,6	3	0,07	0,03	0,025	0,32	2,1	SD 8x2,5 R
10	2	1050	2,5	3,5	3	0,07	0,03	0,030	0,51	5,2	SD 10x2 R
12	2	2100	2,4	3,4	3	0,07	0,03	0,023	0,67	10	SD 12x2 R
12	4	2100	5	6,5	3	0,07	0,03	0,066	0,71	10,8	SD 12x4 R
14	4	2100	6	9	3	0,07	0,03	0,083	1,05	22	SD 14x4 R
16	2	2100	3,6	6	3	0,07	0,03	0,10	1,40	39,7	SD 16x2 R
16	5	2100	7,6	10,5	3	0,07	0,03	0,135	1,30	33,9	SD 16x5 R



Designation	Screw shaft		Nut D h10	M 6g	Without wiper	With wiper	Tightening spanner (FACOM)	N	A ₁ ± 0,2	Without wiper		
	d ₂	d ₁			A ±/− 0,3	A ₂				D ₂	D ₃	
—	mm											
SD 8x2,5 R	6,3	7,6	17,5	M15x1	23,5	23,5	7,5	126-A35	3,2	3	11,1	11,1
SD 10x2 R	8,3	9,5	19,5	M17x1	22	22	7,5	126-A35	3,2	3	13,3	13,3
SD 12x2 R	9,8	11,2	20	M18x1	20	-	8	126-A35	3,2	3	13,2	-
SD 12x4 R	9,4	11,3	25,5	M20x1	34	34	10	126-A35	3,2	3	-	16,1
SD 14x4 R	11,9	13,7	27	M22x1,5	30	-	8	126-A35	3,2	3	-	-
SD 16x2 R	14,3	15,5	29,5	M25x1,5	27	-	12	126-A35	3,2	3	20,1	20,1
SD 16x5 R	12,7	15,2	32,5	*M26x1,5	42	42	12	126-A35	3,2	3	-	21,1

* Note : This thread is non standard, a special locknut can be developed on request.