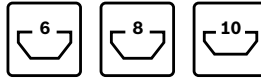
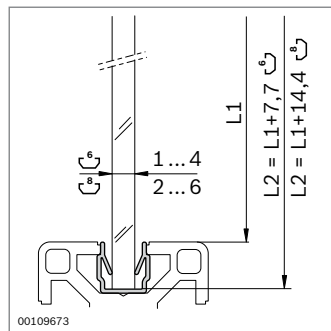
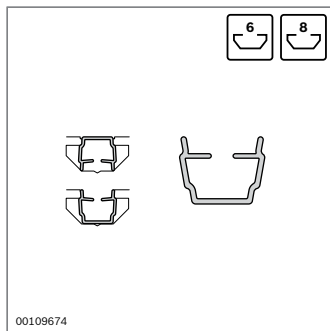


### Mounting rim profile

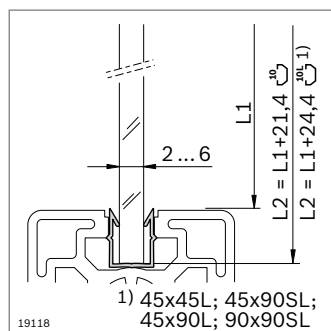
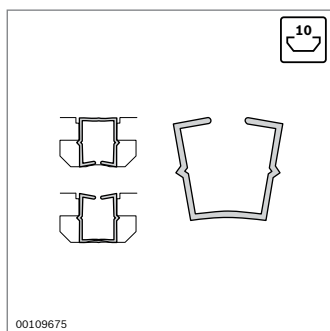


- ▶ For the play-free mounting of surface elements in the profile slot
- ▶ For surface elements up to 6 mm thick
- ▶ Installation during frame assembly
- ▶ Mounting rim profiles PP can also be used as cover profiles



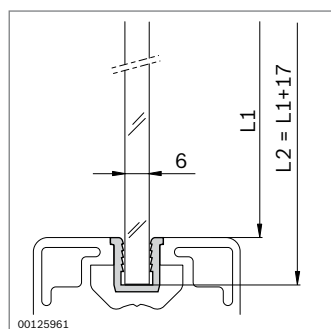
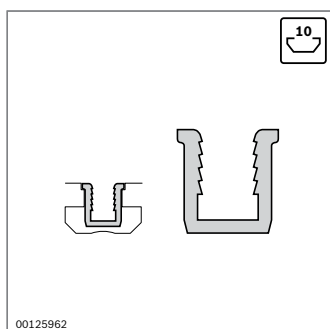
Mounting rim profile	Slot	s (mm)	L (mm)	No.
	6	1 ... 4	2000	3 842 518 343
	8	2 ... 6	2000	3 842 518 347

Material: PP; black



Mounting rim profile	Slot	s (mm)	L (mm)	No.
	10	2 ... 6	2000	3 842 518 351

Material: PP; black



Mounting rim profile	Slot	s (mm)	L (mm)	No.
	10	6	2000	3 842 146 906

Material: PE; black