

34115-1 ✓ ACTIVE

SOLISTRAND

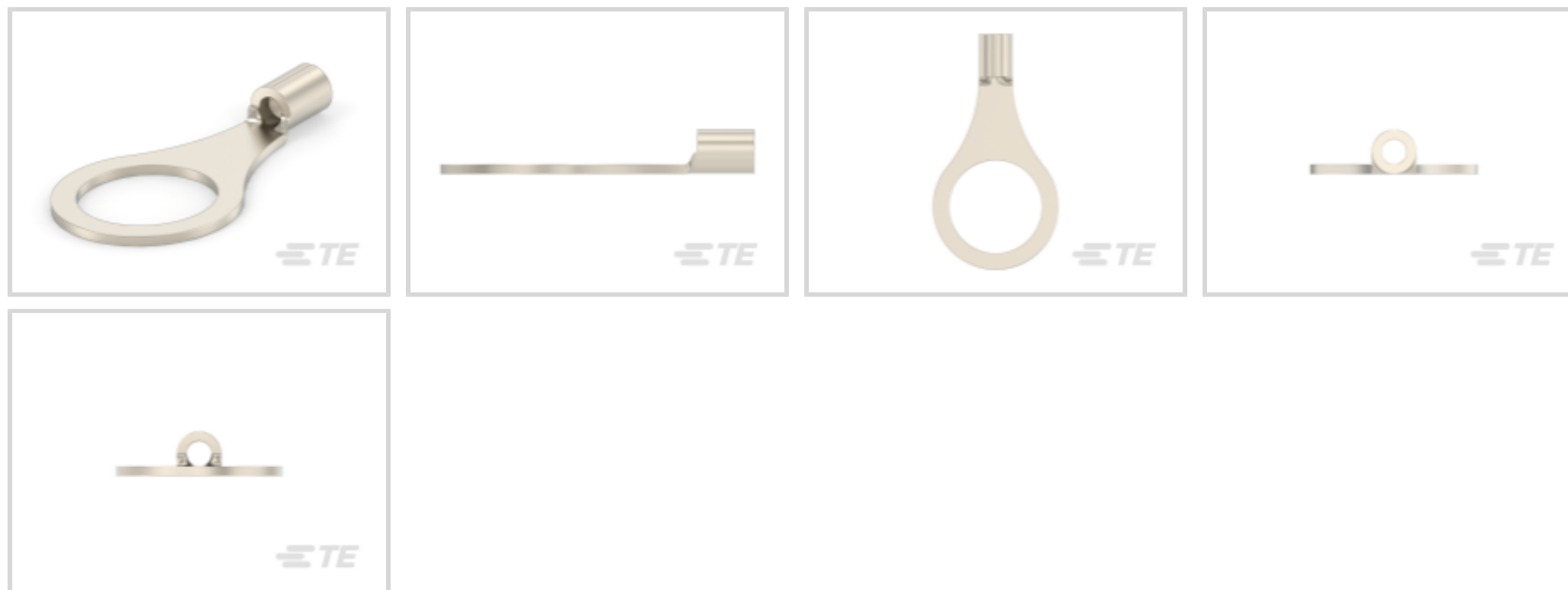
TE Internal #: 34115-1

Closed Ring Tongue Terminal, 22 – 16 AWG, 3/8 Stud, 9.91 mm [.39 in] Stud Diameter, Closed Barrel, Straight, Nickel Plating, Uninsulated

[View on TE.com >](#)



Terminals & Splices > Ring Terminals



Ring Terminal Product Type: Closed Ring Tongue Terminal

Wire Size: 509 – 3260 CMA

Stud Size: 3/8

Features

Product Type Features

Ring Terminal Product Type	Closed Ring Tongue Terminal
Stud Size	3/8
Sealable	No
Wire Insulation Support Retention Type	Non-Insulation Support

Configuration Features

Number of Holes	1
-----------------	---

Body Features

Product Weight	7.619 g
----------------	---------

Contact Features

Military Part Class	Class II
Barrel Type	Closed
Terminal Orientation	Straight
Terminal Plating Material	Nickel

Mechanical Attachment

Wire Insulation Support	Without
-------------------------	---------

Dimensions

Wire Size	509 – 3260 CMA
Stud Diameter	9.91 mm [.39 in]
Tongue Thickness	.79 mm [.031 in]
Product Length	25.27 mm [.995 in]
Barrel Inside Diameter	1.55 mm [.061 in]

Usage Conditions

Insulation Option	Uninsulated
-------------------	-------------

Industry Standards

Government Qualified Terminal	No
-------------------------------	----

Packaging Features

Packaging Quantity	1000
Packaging Method	Loose Piece

Product Compliance

[For compliance documentation, visit the product page on TE.com>](#)

EU RoHS Directive 2011/65/EU	Compliant
EU ELV Directive 2000/53/EC	Compliant
China RoHS 2 Directive MIIT Order No 32, 2016	No Restricted Materials Above Threshold
EU REACH Regulation (EC) No. 1907/2006	Current ECHA Candidate List: JAN 2025 (247) Candidate List Declared Against: JUNE 2024 (241) Does not contain REACH SVHC
Halogen Content	Low Halogen - Br, Cl, F, I < 900 ppm per homogenous material. Also BFR/CFR/PVC Free
Solder Process Capability	Not applicable for solder process capability

Product Compliance Disclaimer

This information is provided based on reasonable inquiry of our suppliers and represents our current actual knowledge based on the information they provided. This information is subject to change. The part numbers that TE has identified as EU RoHS compliant have a maximum concentration of 0.1% by weight in homogenous materials for lead, hexavalent chromium, mercury, PBB, PBDE, DBP, BBP, DEHP, DIBP, and 0.01% for cadmium, or qualify for an exemption to these limits as defined in the Annexes of Directive 2011/65/EU (RoHS2). Finished electrical and electronic equipment products will be CE marked as required by Directive 2011/65/EU. Components may not be CE marked. Additionally, the part numbers that TE has identified as EU ELV compliant have a maximum concentration of 0.1% by weight in homogenous materials for lead, hexavalent chromium, and mercury, and 0.01% for cadmium, or qualify for an exemption to these limits as defined in the Annexes of Directive 2000/53/EC (ELV). Regarding the REACH Regulation, the information TE provides on SVHC in articles for this part number is based on the latest European Chemicals Agency (ECHA) 'Guidance on

requirements for substances in articles' posted at this URL: <https://echa.europa.eu/guidance-documents/guidance-on-reach>

Compatible Parts



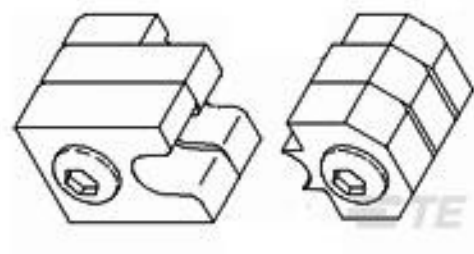
TE Part # 58545-1
SOLISTRAND 10-22 DIE ASSY



TE Part # 46447
DAHT STRATO 22-10 ASSY



TE Part # 58545-3
SDE DIE ASSY. 22-10 SOLISTRAND



TE Part # 47812
DIES SOLIS 22-16 DIE SET



TE Part # 58546-1
PC 22-10 SOLISSPICE SPL I SHT



TE Part # 169400
CERTI-LOK FRAME W/O DIES

Customers Also Bought



TE Part #160892-000
TTVF100WE-100



TE Part #3-520404-2
ULTRA-FAST 187 ASY REC 16-14 AWG TPBR




TE Part #2008571-2
2 POS MICRO MNL, TOP LATCH, BL



TE Part #2008625-2
Socket Micro MNL, GOLD 22-18



TE Part #1622308-1
LR1 1% 120R



TE Part #2-327583-1
SPL BUTT PIDG 16-14/22-18;TAPE



TE Part #ZPF0000000000003599
724-0003-22



TE Part #346656-000
S01-04-R



TE Part #696423-3
TERMINAL,PIDG PVF2 R,16-14, 6



TE Part #C55005-000
TTVF100PK-100

Documents

Product Drawings

TERM, RING, STRAT,SOLIS, HR, 22-16, 3/8

English

CAD Files

3D PDF

3D

Customer View Model

[ENG_CVM_CVM_34115-1_J.2d_dxf.zip](#)

English

Customer View Model

[ENG_CVM_CVM_34115-1_J.3d_igs.zip](#)

English

Customer View Model

[ENG_CVM_CVM_34115-1_J.3d_stp.zip](#)

English

By downloading the CAD file I accept and agree to the [Terms and Conditions](#) of use.

Datasheets & Catalog Pages

[SOLISTRAND - QRG](#)

English

Product Specifications

[Product Specification](#)

English