

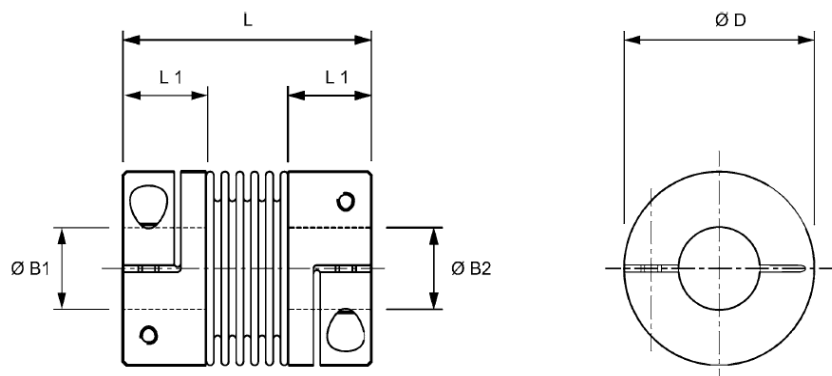
# Bellows Couplings HucoFlex K



Bellows Coupling with removable clamp shaft connection, short version

## ORDERING INFORMATION

RS PART No.	MANUFACTURER PART No.	BORES B1 & B2 [mm]
1967699	593.82.4949	22
1967700	593.82.5252	25
1967701	593.82.5253	28
1967702	593.82.5254	32
1967703	593.82.6060	35
1967704	593.82.6161	38
1967705	593.82.6565	42



## DIMENSIONS & INTERFACE DATA

Overall Diameter D [mm]	82
Overall Length L [mm]	102
Maximum permissible bore B1. B2 [mm]	42
Length of supported bore L1 [mm]	33.5
Fastener thread size	M10
Fastener tightening torque [Nm]	84
Coupling approx weight [g]*	1250

## PERFORMANCE DATA

Maximum speed [ $\text{min}^{-1}$ ]	6900
Peak Torque [Nm]	150
Maximum shaft angular misalignment [deg]	2
Maximum shaft radial misalignment [mm]	0.25
Maximum shaft axial displacement [mm]	0.5
Torsional Stiffness [ $\text{Nm}\cdot\text{rad}^{-1}$ ]	75000
Radial Stiffness [N/mm]	400
Axial Stiffness [N/mm]	50

## MATERIALS

Hubs **Aluminium alloy**  
 Bellows **Spring Quality**  
**Stainless Steel**  
 Fasteners **Alloy Steel**

## Temperature Range

-30°C to +120°C

\*weight with max. bore