

## Mod. G7560 - Fittings Series 7000 - Automation

Product code: G7560 10

Datasheet creation date: 12/12/2025 08:32

Check the most updated document online [click here](#)

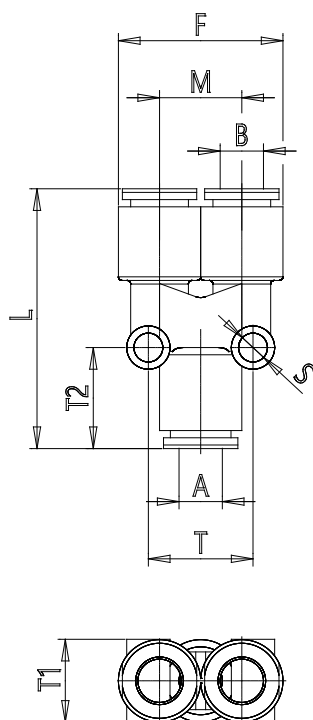


### ■ TECHNICAL DATA

Mod.	G7560 10
------	----------

## Mod. G7560 - Fittings Series 7000 - Automation

Product code: G7560 10



### DIMENSIONS

A (mm)	10
B (mm)	10
F (mm)	33.0
L (mm)	49.5
M (mm)	16.3
S (mm)	4
T (mm)	16.3
T1 (mm)	16.0
T2 (mm)	17.5
Weight (g)	13.0