



Brand of NTN corporation

Technical data

6305F604

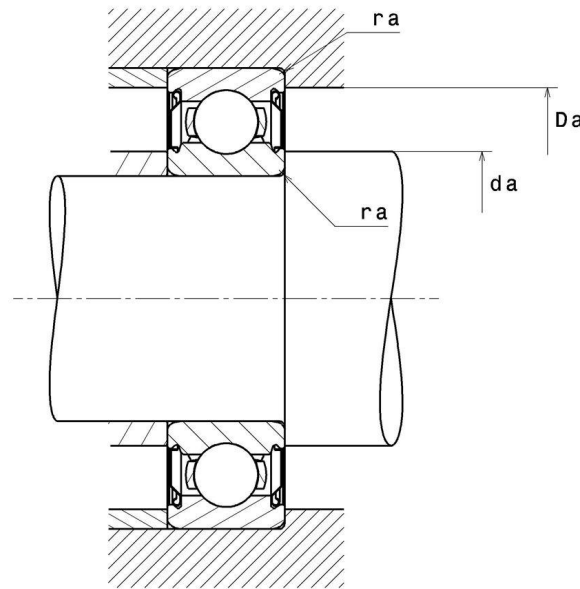
Single row deep groove ball bearings



TOPLINE deep groove ball bearing, radial contact, pressed steel cage, shields on both sides, applications up to 350°C.

TOPLINE

VISUAL (S)

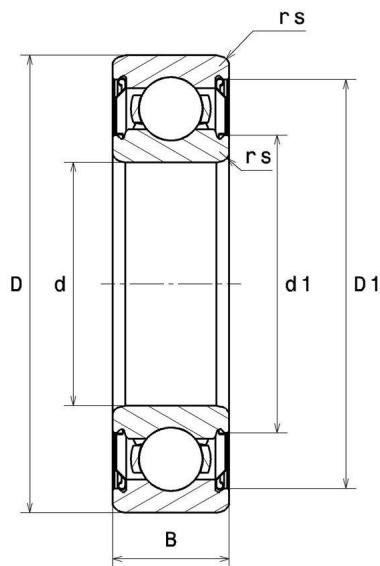


NTN Europe

1 rue des Usines · BP 2017 · 74010 Annecy Cedex · France · Tel. +33 (0)4 50 65 30 00
S.A. au capital de 322 639 919 € · RCS ANNECY B 325 821 072 · Id. Fiscale : FR 48 325 821 072
SIRET 325 821 072 00015 · Code APE 2815 Z · Code NACE 28.15

6305F604

Single row deep groove ball bearings



PRODUCT DEFINITION

Brand	SNR
d - Internal diameter	25 mm
D - External diameter	62 mm
B - Bearing/Inner ring width	17 mm
d1 - External diameter inner ring	33,9 mm
D1 - Inner diameter outer ring	52,7 mm
rs - Min fillet radius	1,1 mm
Radial clearance class	> C5
Mass	0,235 kg

PRODUCT PERFORMANCE

C0 - Static load	12100000 mN
f0 - Coefficient	12.2
N lim - Mechanical Limit Speed	600 °/s



NTN Europe

1 rue des Usines · BP 2017 · 74010 Annecy Cedex · France · Tel. +33 (0)4 50 65 30 00
S.A. au capital de 322 639 919 € · RCS ANNECY B 325 821 072 · Id. Fiscale : FR 48 325 821 072
SIRET 325 821 072 00015 · Code APE 2815 Z · Code NACE 28.15

6305F604

Single row deep groove ball bearings

PRODUCT PERFORMANCE

Tmin - Min operating temperature	243,15 °K
Tmax - Max operating temperature	623,15 °K

BEARING FREQUENCIES

BPFO - Over rolling frequency on outer ring (60 rpm)	2.542 Hz
BPFI - Over rolling frequency on inner (60 rpm)	4.458 Hz
BSF - Over rolling frequency on rolling element (60 rpm)	3.38 Hz
BRF - Rotational frequency - rolling element (60 rpm)	1.69 Hz
FTF - Rotational frequency - cage (60 rpm)	0.363 Hz

ABUTMENT

da min - Min shoulder diameter IR	31,5 mm
da max - Max shoulder diameter IR	33,9 mm
Da max - Max shoulder diameter OR	55,5 mm
ra max - Max shaft & housing fillet radius	1 mm



NTN Europe

1 rue des Usines · BP 2017 · 74010 Annecy Cedex · France · Tel. +33 (0)4 50 65 30 00
S.A. au capital de 322 639 919 € · RCS ANNECY B 325 821 072 · Id. Fiscale : FR 48 325 821 072
SIRET 325 821 072 00015 · Code APE 2815 Z · Code NACE 28.15

INDUSTRY CALCUL FACTORS

Equivalent dynamic radial load

$$P = X \cdot Fr + Y \cdot Fa$$

$\frac{f_0 F_a}{C_0}$	e	Fa / Fr ≤ e		Fa / Fr > e	
		X	Y	X	Y
0.172	0.19	1	0	0.56	2.3
0.345	0.22				1.99
0.689	0.26				1.71
1.03	0.28				1.55
1.38	0.3				1.45
2.07	0.34				1.31
3.45	0.38				1.15
5.17	0.42				1.04
6.89	0.44				1

Equivalent static radial load

$$P_0 = X_0 \cdot Fr + Y_0 \cdot Fa$$

X_0	Y_0
0.6	0.5

For single or DT bearing arrangement :

If $P_0 < Fr$, then use $P_0 = Fr$

