

## SMD Choke Coils

Series: **G**  
 Type: **ELL6GG**  
**ELL6PG**



Type ELL6GG/6PG

### ■ Features

- Magnetically shielded structure
- Low DC resistance and large current capability

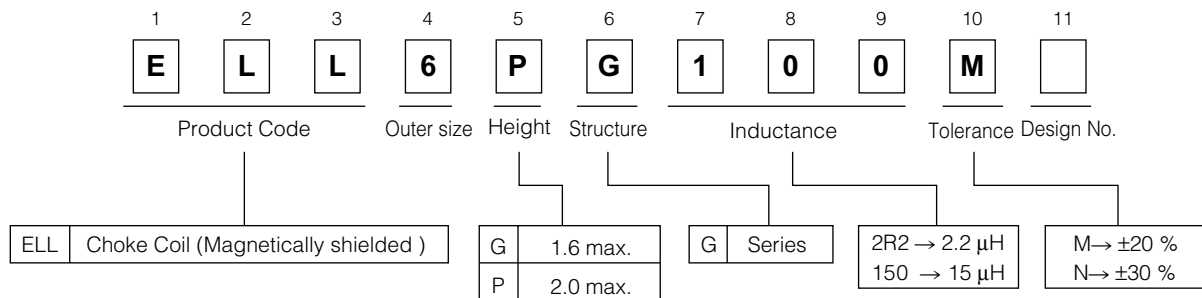
### ■ Recommended Applications

- DC-DC converter circuitry for computer peripherals and cellular phones.
- Chopper circuit decoupling chokes for DC-DC converter circuitry.

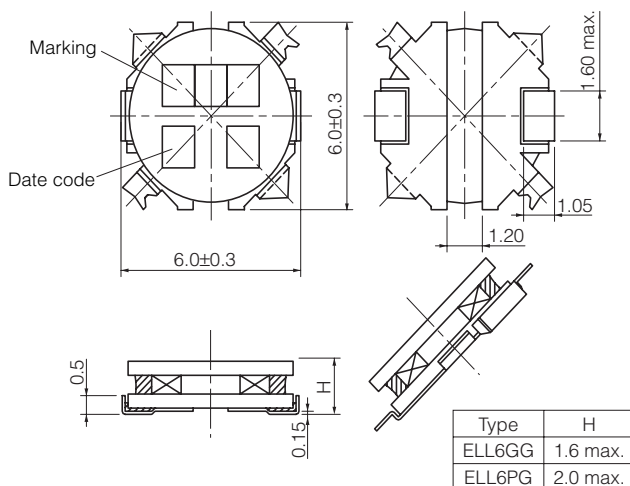
### ■ Standard Packing Quantity

- 1000 pcs./Reel

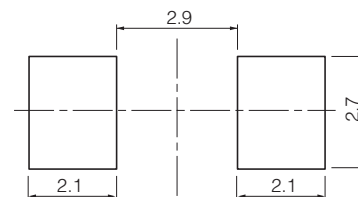
### ■ Explanation of Part Numbers



### ■ Dimensions in mm (not to scale)



### ■ Recommended land patterns in mm (not to scale)



## Standard Parts

| Series        | Part Number | Inductance<br>(100 kHz) |       | R <sub>DC</sub><br>(at 20 °C) |       | Saturation<br>Rated Current* <sup>1</sup> | Temperature<br>Rise Current* <sup>2</sup> | Marking |
|---------------|-------------|-------------------------|-------|-------------------------------|-------|---|---|---------|
|               |             | (μH)                    | Tol.  | (mΩ)                          | Tol.  | (mΩ)                                      | Tol.                                      |         |
| 6GG<br>Series | ELL6GG1R0N  | 1.0                     | ±30 % | 27                            | ±20 % | 2500                                      | 2500                                      | 1R0     |
|               | ELL6GG1R5N  | 1.5                     |       | 36                            |       | 2300                                      | 2250                                      | 1R5     |
|               | ELL6GG2R2M  | 2.2                     |       | 45                            |       | 1950                                      | 2000                                      | 2R2     |
|               | ELL6GG2R7M  | 2.7                     | 54    | 1850                          |       | 1800                                      | 2R7                                       |         |
|               | ELL6GG3R9M  | 3.9                     | 60    | 1650                          |       | 1700                                      | 3R9                                       |         |
|               | ELL6GG4R7M  | 4.7                     | 70    | 1400                          |       | 1550                                      | 4R7                                       |         |
|               | ELL6GG6R8M  | 6.8                     | 110   | 1150                          |       | 1300                                      | 6R8                                       |         |
|               | ELL6GG100M  | 10.0                    | 170   | 900                           |       | 1000                                      | 100                                       |         |
|               | ELL6GG150M  | 15.0                    | 210   | 800                           |       | 900                                       | 150                                       |         |
|               | ELL6GG220M  | 22.0                    | 300   | 620                           |       | 850                                       | 220                                       |         |
|               | ELL6GG330M  | 33.0                    | 510   | 490                           |       | 580                                       | 330                                       |         |
|               | ELL6GG470M  | 47.0                    | 610   | 400                           |       | 480                                       | 470                                       |         |
|               | ELL6GG680M  | 68.0                    | 860   | 380                           |       | 410                                       | 680                                       |         |
|               | ELL6GG101M  | 100.0                   | 1480  | 300                           |       | 350                                       | 101                                       |         |
| 6PG<br>Series | ELL6PGR08N  | 0.8                     | ±30 % | 24                            | ±20 % | 3800                                      | 2800                                      | R08     |
|               | ELL6PG1R5N  | 1.5                     |       | 30                            |       | 2500                                      | 2500                                      | 1R5     |
|               | ELL6PG2R2N  | 2.2                     |       | 37                            |       | 2200                                      | 2200                                      | 2R2     |
|               | ELL6PG3R3N  | 3.3                     |       | 44                            |       | 1700                                      | 2000                                      | 3R3     |
|               | ELL6PG3R9N  | 3.9                     |       | 51                            |       | 1600                                      | 1900                                      | 3R9     |
|               | ELL6PG4R7N  | 4.7                     |       | 58                            |       | 1500                                      | 1750                                      | 4R7     |
|               | ELL6PG5R6N  | 5.6                     |       | 65                            |       | 1450                                      | 1650                                      | 5R6     |
|               | ELL6PG6R8N  | 6.8                     | 70    | 1400                          |       | 1600                                      | 6R8                                       |         |
|               | ELL6PG100M  | 10.0                    | 110   | 1300                          |       | 1300                                      | 100                                       |         |
|               | ELL6PG150M  | 15.0                    | 150   | 1000                          |       | 1100                                      | 150                                       |         |
|               | ELL6PG220M  | 22.0                    | 230   | 800                           |       | 900                                       | 220                                       |         |
|               | ELL6PG270M  | 27.0                    | 260   | 730                           |       | 800                                       | 270                                       |         |
|               | ELL6PG330M  | 33.0                    | 300   | 700                           |       | 750                                       | 330                                       |         |
|               | ELL6PG470M  | 47.0                    | 470   | 550                           |       | 600                                       | 470                                       |         |
|               | ELL6PG560M  | 56.0                    | 520   | 500                           |       | 550                                       | 560                                       |         |
|               | ELL6PG680M  | 68.0                    | 700   | 420                           |       | 500                                       | 680                                       |         |
|               | ELL6PG820M  | 82.0                    | 800   | 400                           |       | 450                                       | 820                                       |         |
| ELL6PG101M    | 100.0       | 1000                    | 380   | 400                           | 101   |   |   |         |

\*1 Saturation Rated Current : This DC current which causes a 30 % inductance reduction from its nominal value.

\*2 Temperature Rise Current : This indicates the value of current when temperature rise dt/t= 40 °C (at 20 °C).

## Embossed Carrier Tape Dimensions in mm (not to scale)

