



RPCE-01-E-00.25-D-C5E

RPBE-01-01-E

RPBE, RPCE SERIES

# IP68 SEALED ETHERNET SOCKET

Mates with:

RCE

## SPECIFICATIONS

For complete specifications see [www.samtec.com?RPBE](http://www.samtec.com?RPBE)

- Insulator Material:** Black Liquid Crystal Polymer
- Contact:** Phosphor Bronze
- Operating Temp Range:** -40 °C to +75 °C
- Seal:** Rubber
- Screw:** Stainless Steel
- Nut:** Stainless Steel
- Sealing Washer:** Rubber

## DUST CAPS

| PORT | PART NO.         | TYPE             |
|------|------------------|------------------|
| -01  | DCA-RPBE-01-01-P | Push-On/No Latch |
| -01  | DCA-RPBE-01-01-L | Latching         |
| -02  | DCA-RPBE-02-01-L |                  |

**Note:** Meets IP68 requirements for dust and waterproof sealing when mated or with dust cap.

RPBE

NO. OF PORTS

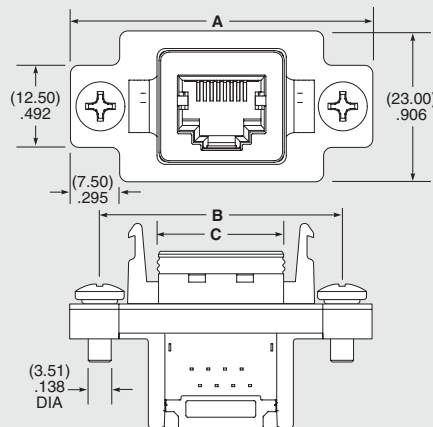
LEAD STYLE

PLATING

-01, -02

-01  
= Right-angle

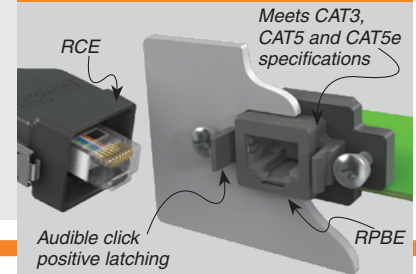
-E  
= 50 μ" (1.27 μm) Gold on contact, Flash Gold on tail



| NO. OF PORTS | A             | B             | C             |
|--------------|---------------|---------------|---------------|
| -01          | (46.10) 1.815 | (36.95) 1.455 | (19.72) .776  |
| -02          | (67.10) 2.642 | (57.95) 2.281 | (40.72) 1.603 |



## APPLICATION



Mates with:

RCE

## SPECIFICATIONS

For complete specifications see [www.samtec.com?RPCE](http://www.samtec.com?RPCE)

- Insulator Material:** Glass Filled Thermoplastic
- Contact:** Phosphor Bronze
- Shield:** Phosphor Bronze
- Operating Temp Range:** -40 °C to +75 °C
- Overmold:** Rite Flex 640F
- Seal:** Rubber
- Screw:** Stainless Steel
- Nut:** Stainless Steel
- Sealing Washer:** Rubber
- Wire:** 24 AWG

## DUST CAPS

| PORT | PART NO.         | TYPE             |
|------|------------------|------------------|
| -01  | DCA-RPBE-01-01-P | Push-On/No Latch |
| -01  | DCA-RPBE-01-01-L | Latching         |
| -02  | DCA-RPBE-02-01-L |                  |

**Note:** Meets IP68 requirements for dust and waterproof sealing when mated or with dust cap.

RPCE

01

PLATING

WIRE LENGTH

END OPTION

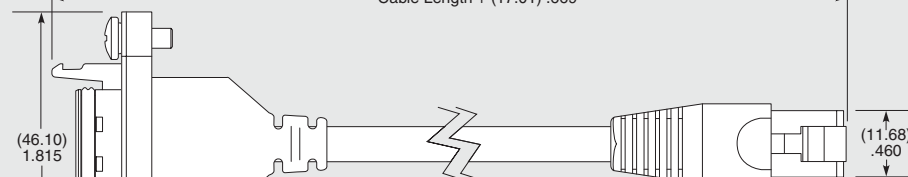
C5E

-E  
= 50 μ" (1.27 μm) Gold on contact, Nickel on shell

-00.25  
= (0.25 m) 9.84"

-00.50  
= (0.50 m) 19.69"  
Standard lengths

-D  
= Double Ended  
  
-BC  
= Blunt Cut



**ALSO AVAILABLE (MOQ Required)**

- Other wire lengths

Due to technical progress, all designs, specifications and components are subject to change without notice.