

# GV7

## Manual Starter and Protector



### Features

Class 10 solid-state overload protection and an instantaneous magnetic trip mechanism in one unit:

- Single-phase sensitivity
- Thermal status stored in electronic memory
- Push-to-trip test button
- Instantaneous trip is preset at 13 times the thermal trip setting
- Standard toggle
- Direct-mounted rotary handle
- Door-mounted rotary handle with three padlock provisions
- Lead sealing kit available to lock in thermal settings
- UL and CSA Listed, CE Marked

The toggle operator control indicates the ON, OFF or TRIP state of the device with a choice of operators:

### New Line of Telemecanique IEC Manual Starters and Protectors

Square D Company announces an addition to the popular Telemecanique IEC line of Manual Starter and Protectors, the “GV” line. The NEW GV7 is now available for motor starting and protection from 24 to 220 Amps at 480VAC.

- 3-Pole, horsepower-rated manual starter and protector
- Integral manual disconnect
- North American and European terminal markings
- UL listed for group motor installations
- A single, adjustable full-load current setting for overload and 13X over-current protection
- Replaces multiple fuse blocks or breakers, reducing panel space, saving money and installation time
- Full-load currents from 24 to 220 Amps at 480VAC (20 to 150 HP)

#### ***Internally mounted, space-saving features:***

- Auxiliary contacts
- Under-voltage trip units
- Shunt trip units
- Magnetic trip indicator

#### ***Interrupt ratings for group motor installations wired per NEC 430-53:***

- 25kAIC at 480 V for the GV7RE
- 65kAIC at 480 V for the GV7RS

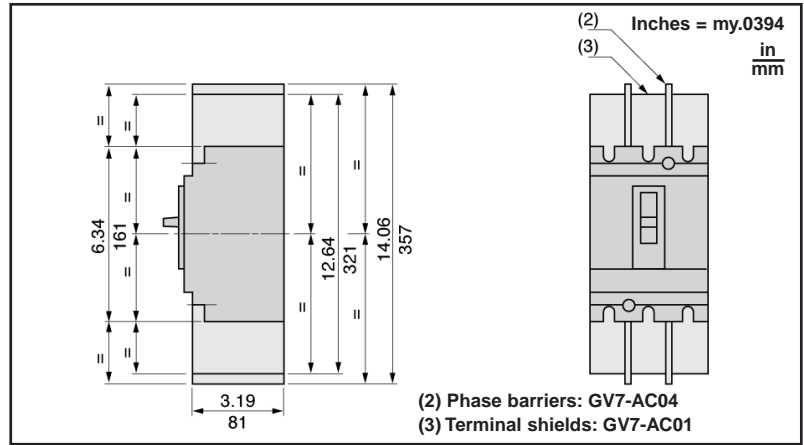
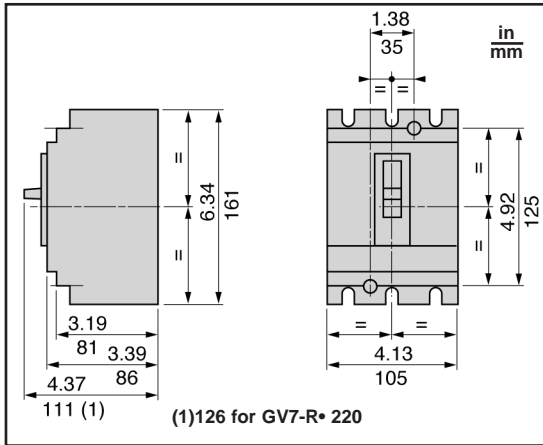
***Telemecanique control products are sold and supported through our worldwide sales and distribution network. For complete catalog information, please refer to 2520CT9801.***



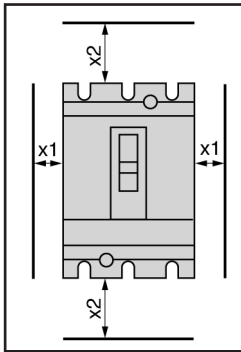
Schneider Electric Brands

# Manual Starter & Protector with Terminal Shields and Phase Barriers - GV7-R + GV7-AC01 + GV7-AC04

## Manual Starter & Protector - GV7-R



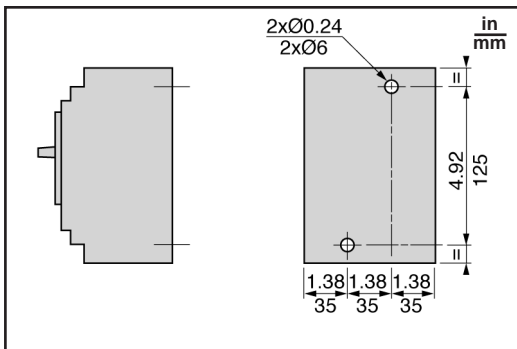
## Mounting Clearance



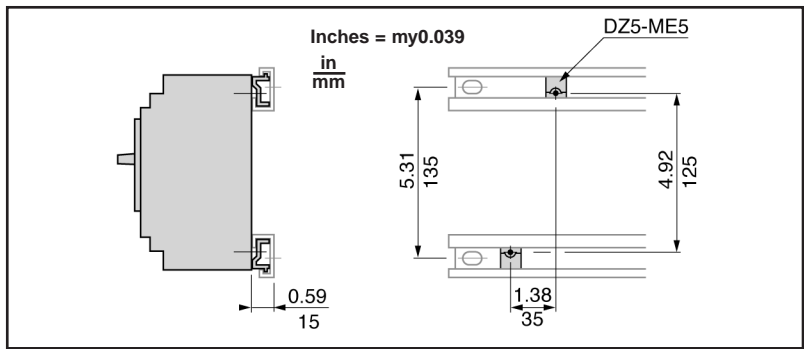
|   |                   | x1        | x2        |
|---|-------------------|-----------|-----------|
|   |                   | in (mm)   |           |
| Painted or insulated metal plate, insulation or insulated bar |                   | 0 (0)     | 1.18 (30) |
| Bare metal plate  | $U \leq 440V$     | 0.20 (5)  | 1.38 (35) |
|   | $440V < U < 600V$ | 0.39 (10) | 1.38 (35) |
|   | $U \geq 600V$     | 0.79 (20) | 1.38 (35) |

Minimum distance between 2 circuit breakers mounted side by side = 0.

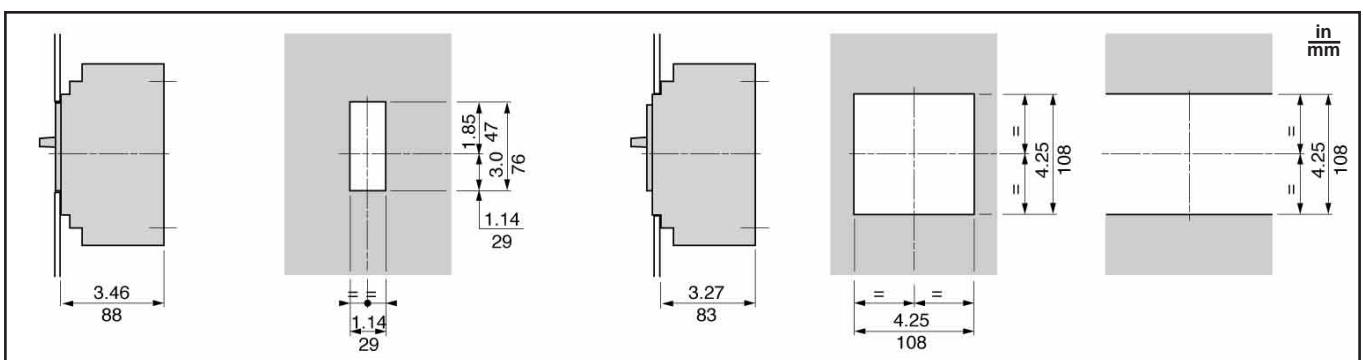
## On Panel



## On Two DZ5-MB201 Mounting Rails



## Flush Mounting



Manual Starter & Protector GV7-R

Manual Starter & Protectors GV7-R Side by Side

