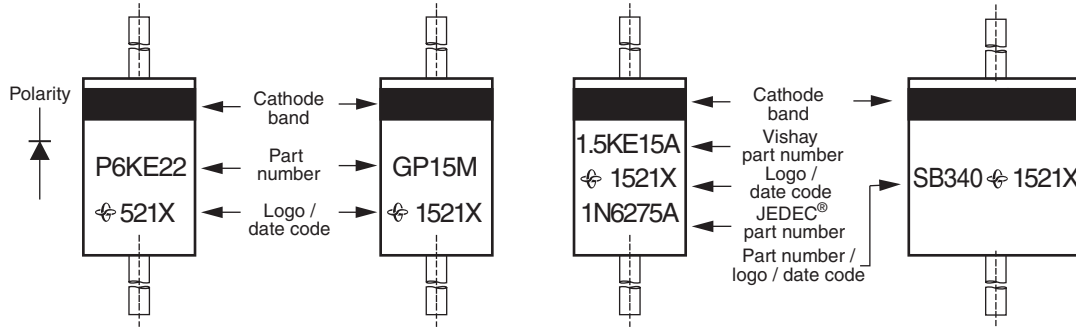


Vishay General Semiconductor

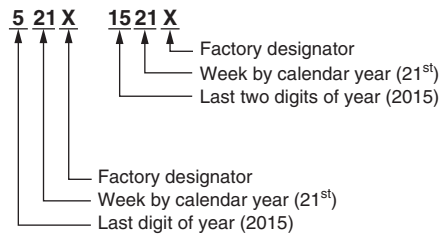
AXIAL MARKING

Package: DO-41 (DO-204AL), DO-15 (DO-204AC), DO-201AD, GP20, 1.5KE, P600

Examples:



DATE CODE (for RoHS-compliant products)

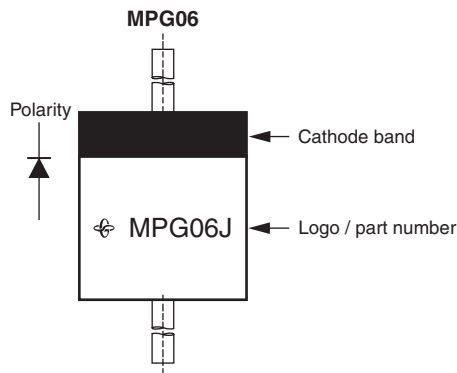


DATE CODE (for halogen-free products)



Notes

- (1) No cathode band marking for TVS bi-directional type
- (2) Date code per individual part number specification



PART NUMBER MARKING CODE		
TYPE	RoHS-COMPLIANT	HALOGEN-FREE
MPG06 series	MPG06x	M06x
RMPG06 series	RMPG06x	MR06x
UG06 series	UG06x	MUG06x
SB0x series	SB0x0	MSB0x0
TPMP06 series	T-x	MT-x

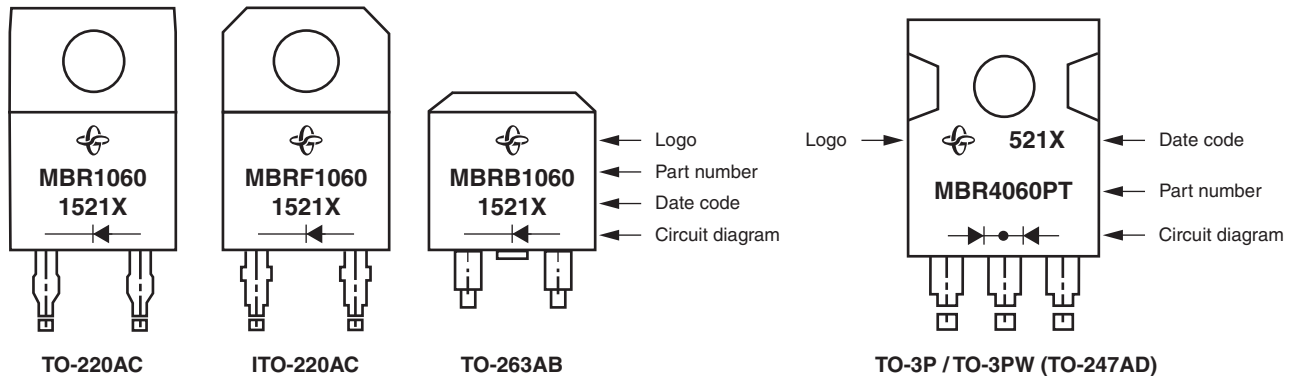
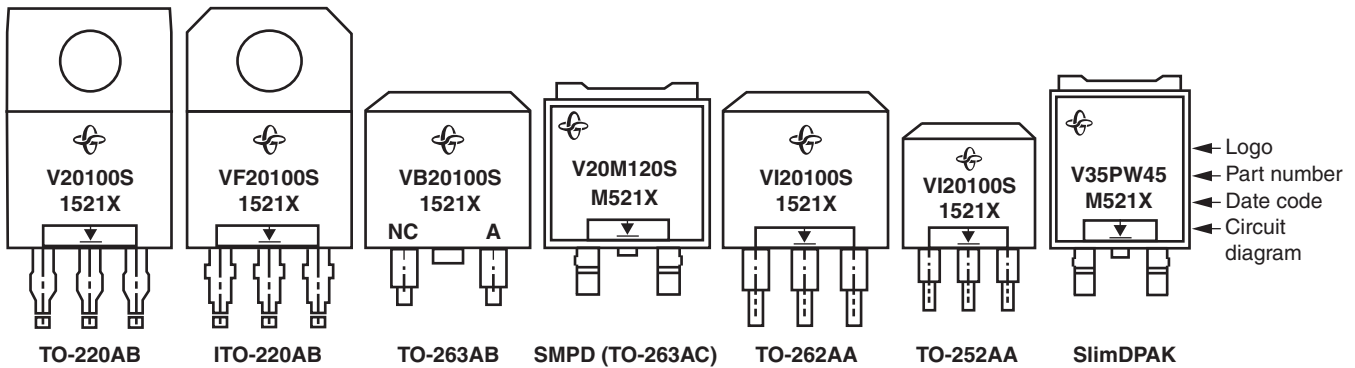
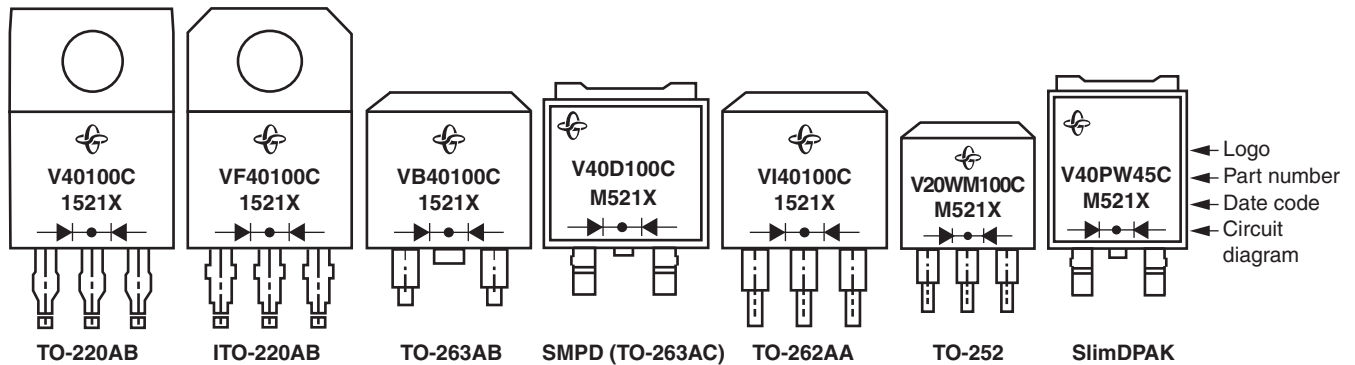
Note

- x - type code

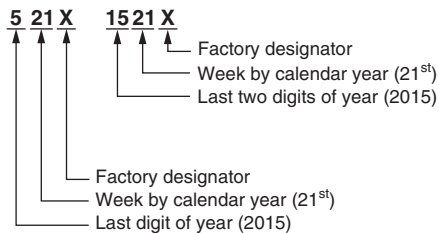


POWER PACK MARKING

Examples:



DATE CODE (for RoHS-compliant products)



DATE CODE (for halogen-free products)



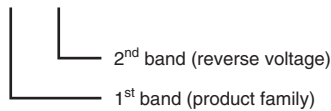
Notes

(1) Date code per individual part number specification

PLASTIC MELF AND MiniMELF MARKING

1. Package: GL41 (DO-213AB)

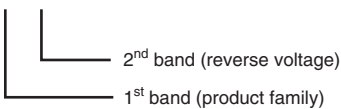
MELF
2.5 mm x 4.9 mm



TYPE	1 st BAND	2 nd BAND	
BYM10 series	white	gray: 50 V	violet: 1000 V
GL41 series	white	red: 100 V	white: 1300 V
BYM11 series	red	orange: 200 V	brown: 1600 V
RGL41 series	red	yellow: 400 V	
BYM12 series	green	green: 600 V	
EGL41 series	green	blue: 800 V	
BYM13 series	orange	gray: 20 V orange: 40 V green: 60 V	
SGL41 series	orange	red: 30 V yellow: 50 V	
TGL41-xx	blue		
ZGL41-xx	red		

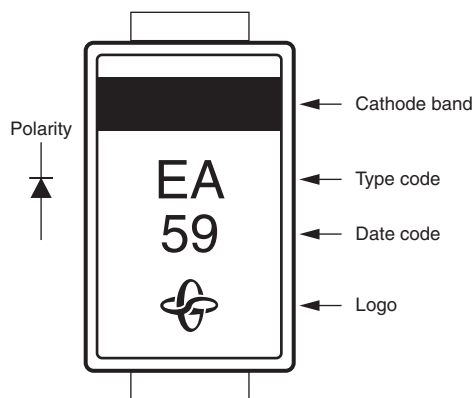
2. Package: GL34 (DO-213AA)

MiniMELF
1.6 mm x 3.5 mm

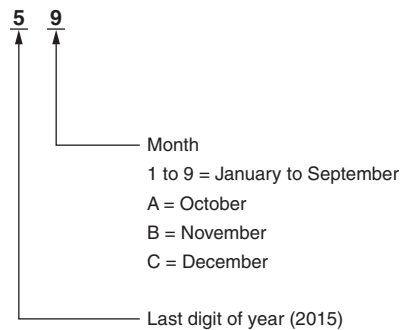


TYPE	1 st BAND	2 nd BAND	
BYM07 series	white	gray: 50 V	brown: 300 V
GL34 series	white	red: 100 V	yellow: 400 V
EGL34 series	green	pink: 150 V	green: 600 V
RGL34 series	red	orange: 200 V	blue: 800 V

GF1 (DO-214BA) MARKING



DATE CODE

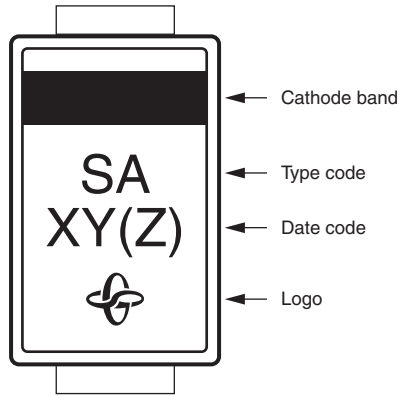


Note

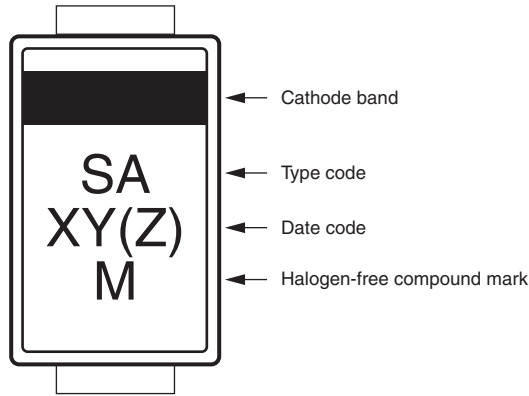
- Type code refers to individual datasheet

SMA (DO-214AC), SMB (DO-214AA), SMC (DO-214AB), SlimSMA (DO-221AC), AND SMPA (DO-221BC) MARKING

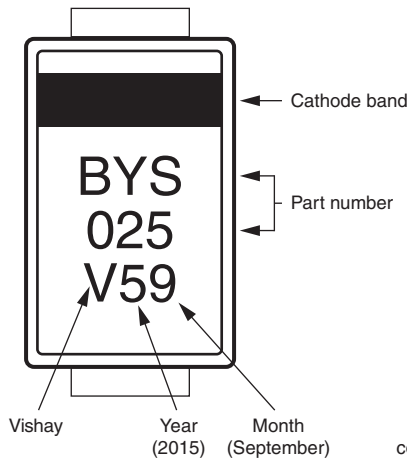
SMA, SMB, SMC



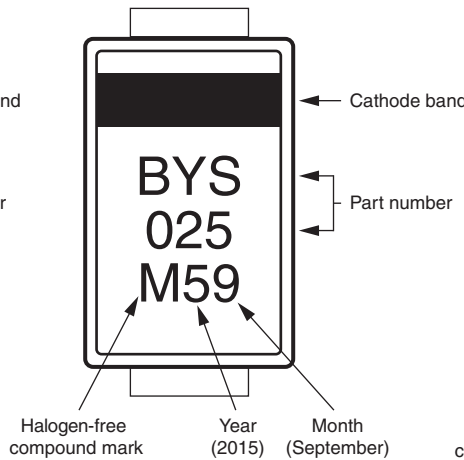
SMA, SMB, SMC, SlimSMA, SMPA



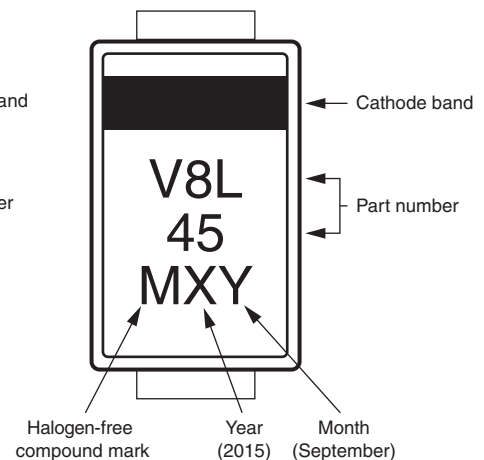
SMA with "BYS", "BYG" Prefix



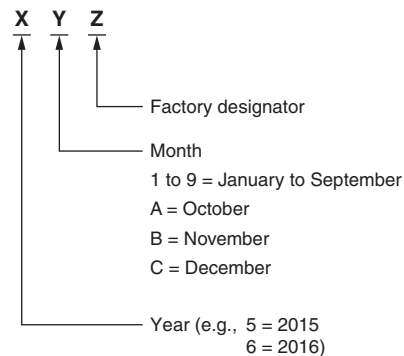
SMA with "BYS", "BYG" Prefix



SMA, SMB, SMC (for TMBS products with long core part number)



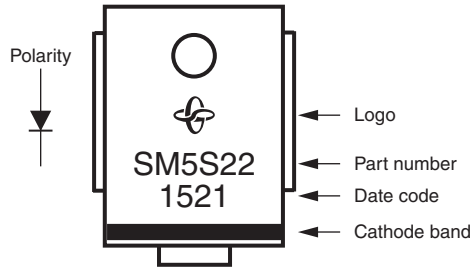
DATE CODE



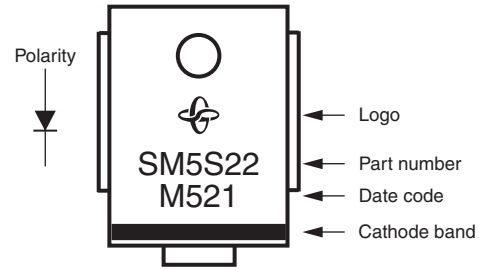
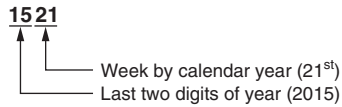
Notes

- Type code refers to individual datasheet
- No cathode band marking for TVS bi-directional type
- "XY" 2 digits: For rectifiers and PAR TVS (TPSMA, TPSMB, TPSMC, and TA6F)
- "XYZ" 3 digits: For TRANSZORB® TVS and Power Voltage-Regulating Diodes
- Non "M" mark belongs to RoHS-compliant product

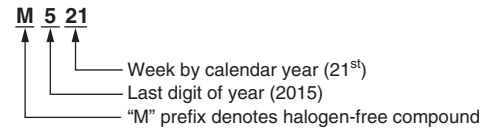
DO-218AB MARKING



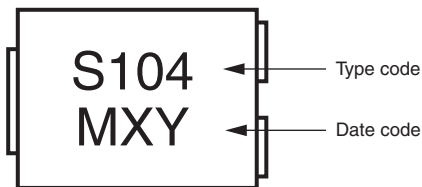
DATE CODE (for RoHS-compliant products)



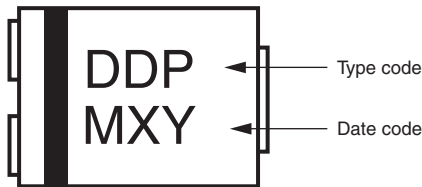
DATE CODE (for halogen-free products)



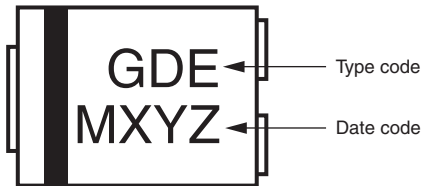
SMPC (TO-277A) MARKING



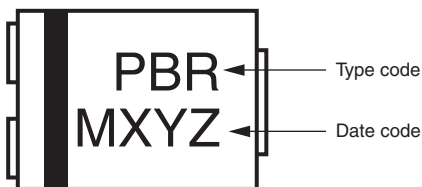
Polarity (for rectifiers)



Polarity (for PAR[®] TVS)

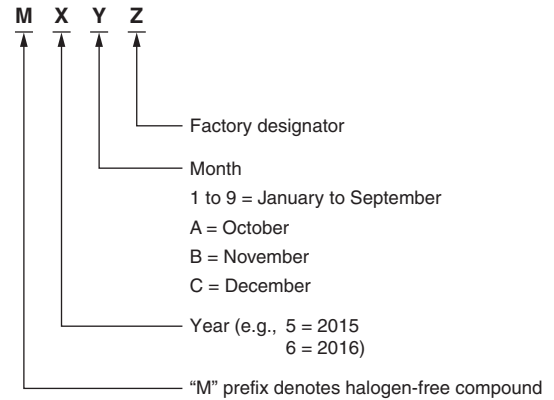


Polarity (for TRANSZORB[®] TVS of SMPCxxAN)



Polarity (for TRANSZORB[®] TVS of SMPCxxA)

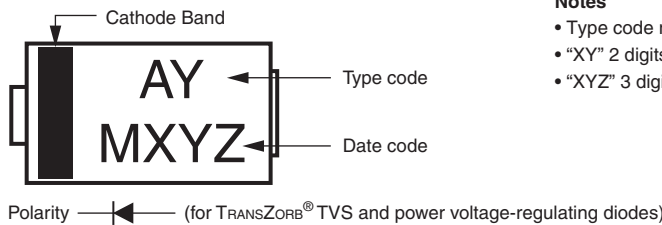
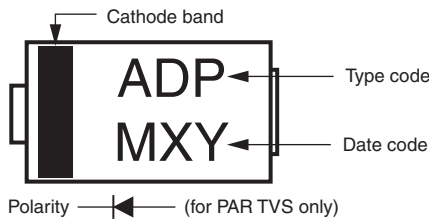
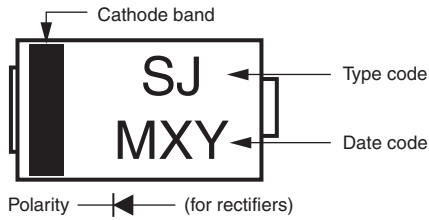
DATE CODE



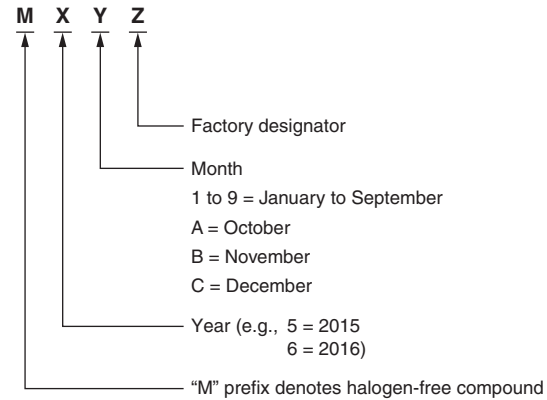
Notes

- Type code refers to individual datasheet
- "XY" 2 digits: for rectifiers and PAR[®] TVS
- "XYZ" 3 digits: for TRANSZORB[®] TVS
- TRANSZORB[®] TVS: cathode band depends on actual polarity
- No cathode band marking for bi-directional PAR TVS type

SMP (DO-220AA) MARKING



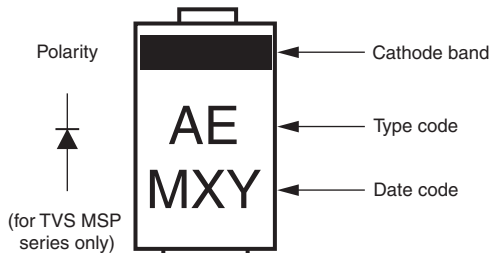
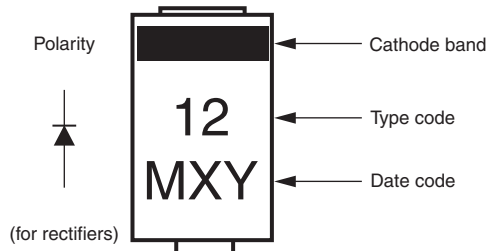
DATE CODE



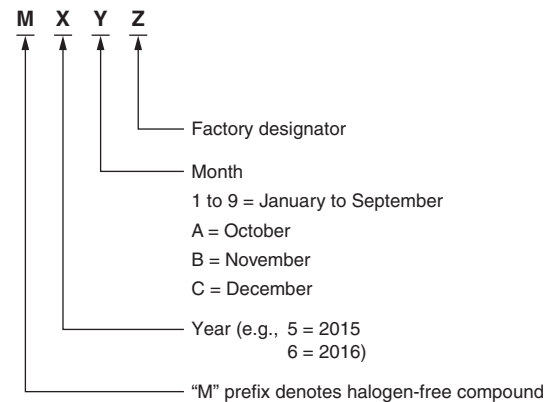
Notes

- Type code refers to individual datasheet
- "XY" 2 digits: for rectifiers and PAR TVS
- "XYZ" 3 digits: for TRANSZORB[®] TVS and power voltage-regulating diodes

MicroSMP (DO-219AD) MARKING



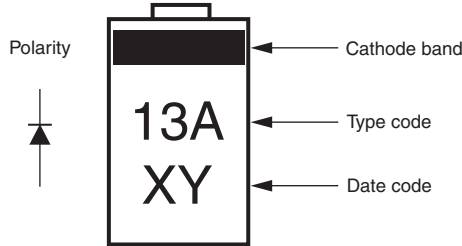
DATE CODE



Note

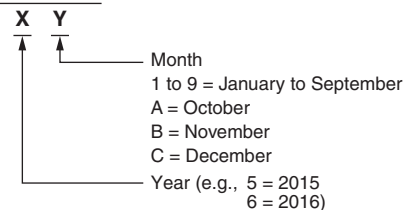
- Type code refers to individual datasheet

MicroSMF (DO-219AC) MARKING

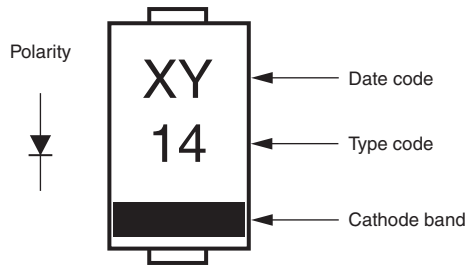


- Note**
- Type code refers to individual datasheet

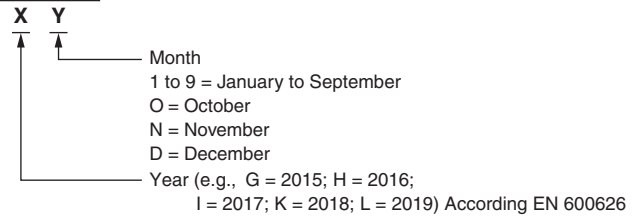
DATE CODE



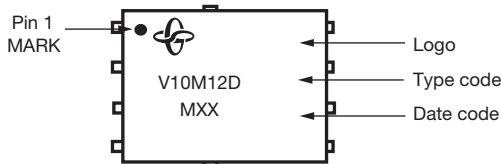
SMF (DO-219AB) MARKING



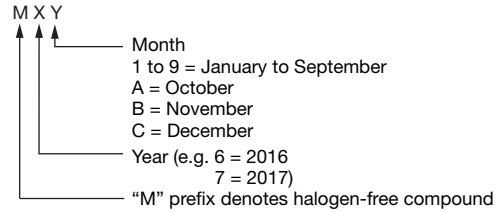
DATE CODE



FlatPAK 5 X 6 MARKING

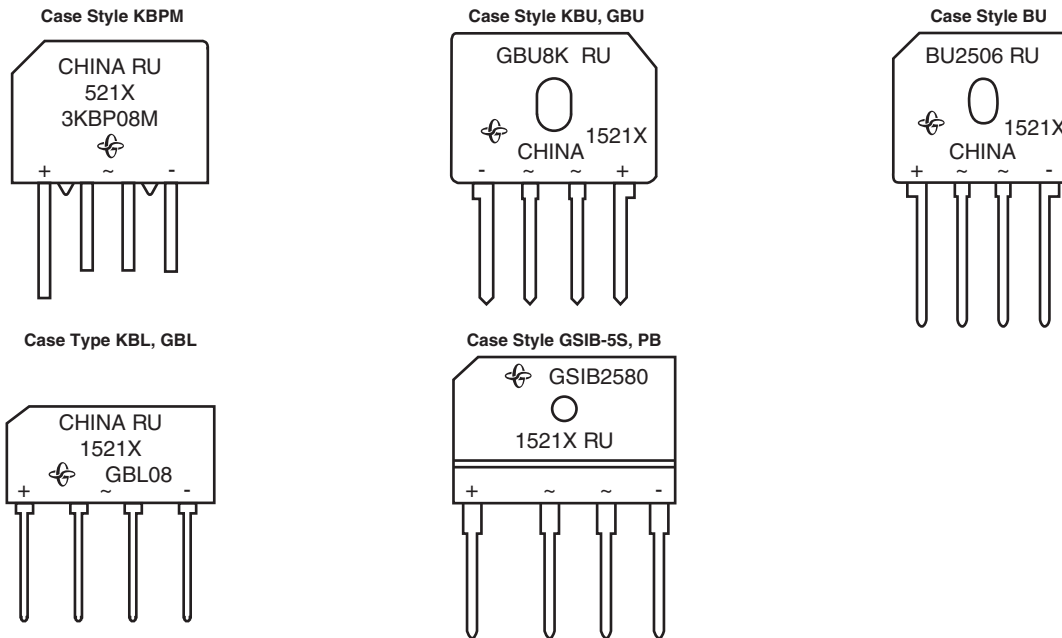


DATE CODE



BRIDGE MARKING

Single in-line bridge marking



Logo :

Part number: 3KBP08M, BU2506 (example)
 UL approved: RU
 Location: China
 Date code (e.g., 521X, 1521X or M521X)
 Polarity: + Positive output terminal
 - Negative output terminal
 ~ Alternate

DATE CODE (for RoHS-compliant products)



DATE CODE (for RoHS-compliant products)



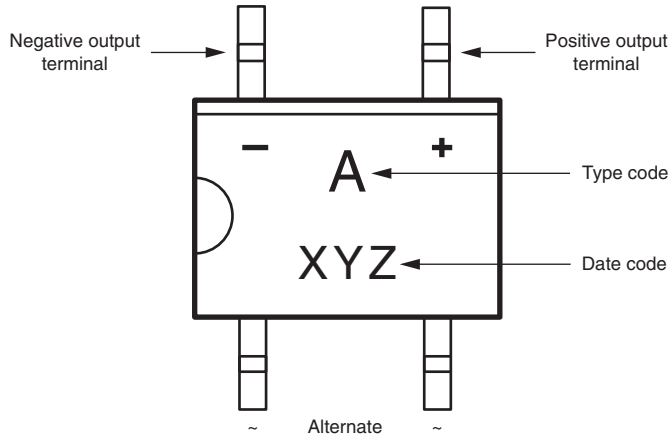
DATE CODE (for halogen-free products)



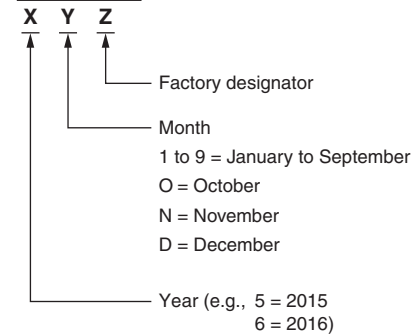
Note
 (1) Date code per individual part number specification

DUAL IN-LINE BRIDGE MARKING

MBS (TO-269AA) and MBM Mini-Bridge


 Polarity: + Positive output terminal
 - Negative output terminal

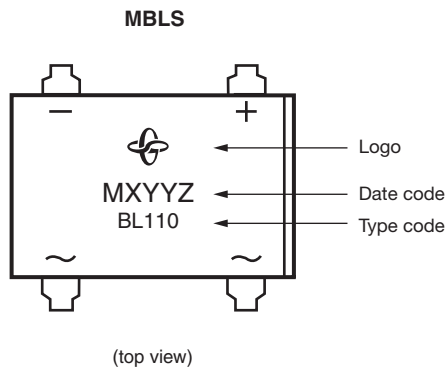
DATE CODE



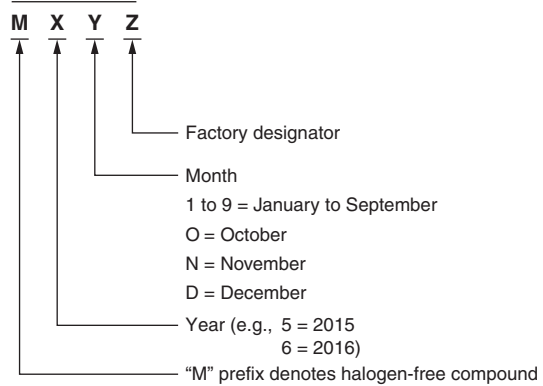
TYPE	TYPE CODE	TYPE	TYPE CODE
B2S, B2M	B2	MB4S, MB4M	4
B4S, B4M	B4	MB6S, MB6M	6
B6S, B6M	B6	RMB2S	2R
MB2S, MB2M	2	RMB4S	4R

Note

- For halogen-free: add "Underline" below type code (e.g., 6)
- RMB2S and RMB4S only has type code without date code

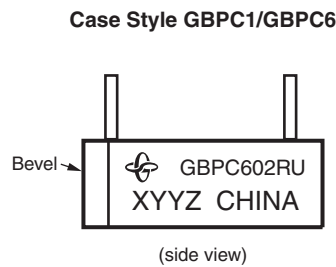
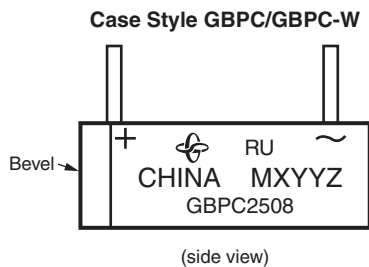
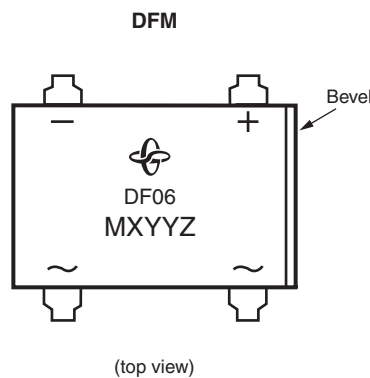
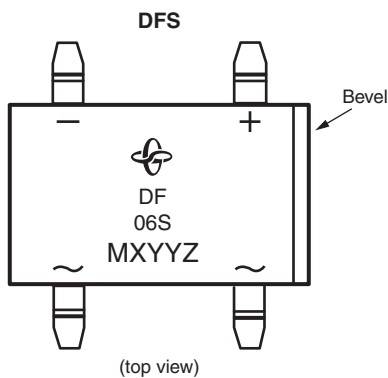
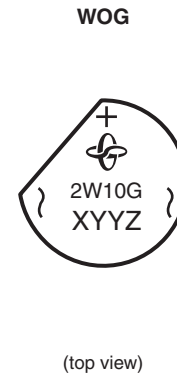
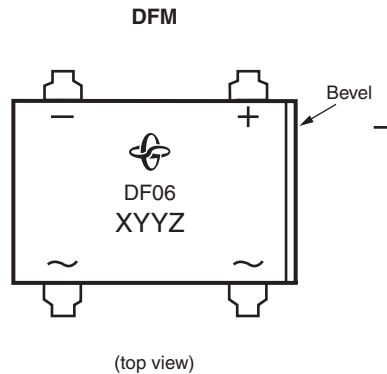
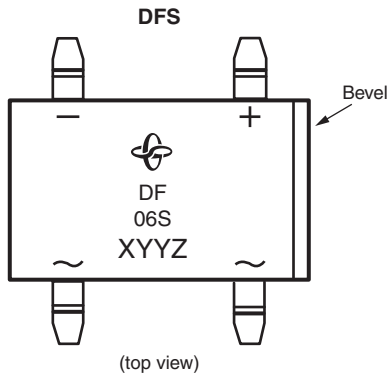


DATE CODE



TYPE	TYPE CODE
MBL104S	BL104
MBL106S	BL106
MBL108S	BL108
MBL110S	BL110

DFS, DFM, and WOG



Logo:

Part number: GBPC2508 (example)
 UL approved: RU
 Location: China
 Date code: (M)XYYZ
 Polarity: + Positive output terminal
 - Negative output terminal
 ~ Alternate

DATE CODE

M XYYZ

↑ Factory designator
 ↑ Week by calendar year (21st)
 ↑ Last digit of year (2015)
 ↑ "M" prefix denotes halogen-free compound

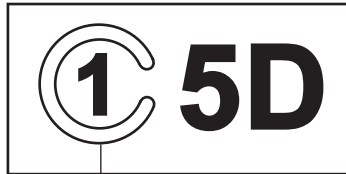
Notes

- (1) Date code per individual part number specification
- (2) Non "M" mark belongs to RoHS-compliant product
- (3) "M" prefix denotes halogen-free compound

Vishay Semiconductors (Small Signal Products)

SMD MARKING

CLP0603 MARKING

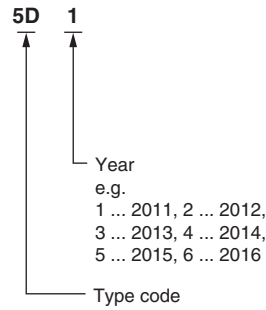


Cathode mark
Opening of "C" indicates month,
where wafer lot was started in fab,
e.g. 3 o'clock means March

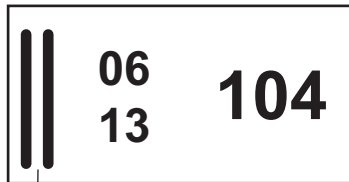
Note

- Type code refers to individual datasheet

DATE CODE



CLP1608 MARKING

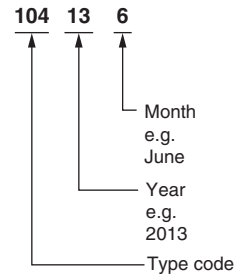


Cathode mark

Note

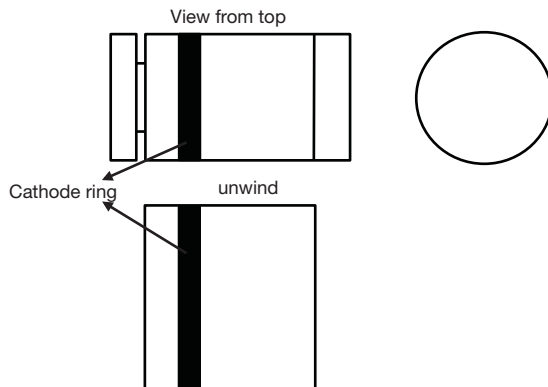
- Type code refers to individual datasheet

DATE CODE

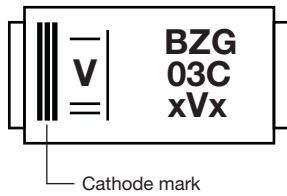


DO-213 MARKING

Marking: cathode

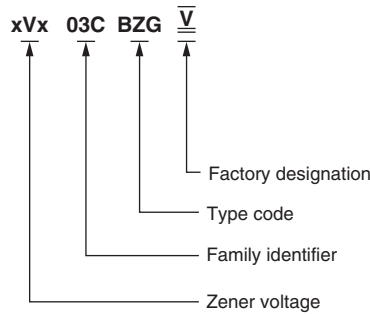


SMA (DO-214AC) MARKING

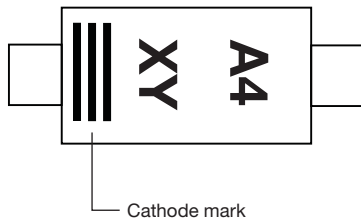


Note
• Type code refers to individual datasheet

DATE CODE

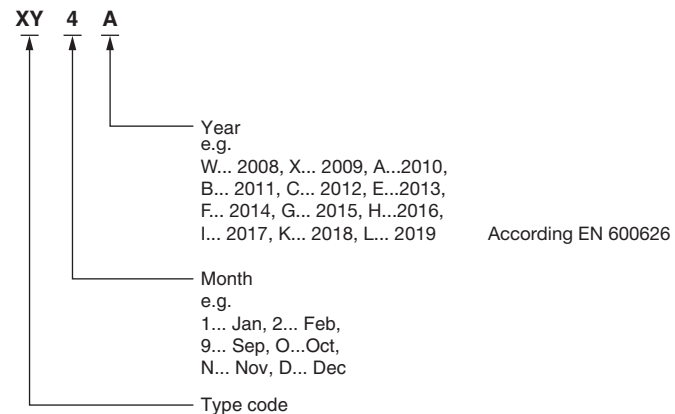


SMF (DO-219AB) MARKING

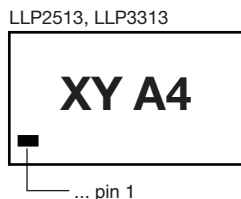
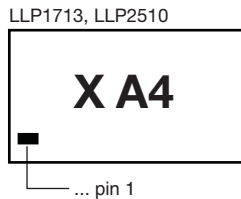


Note
• Type code refers to individual datasheet

DATE CODE

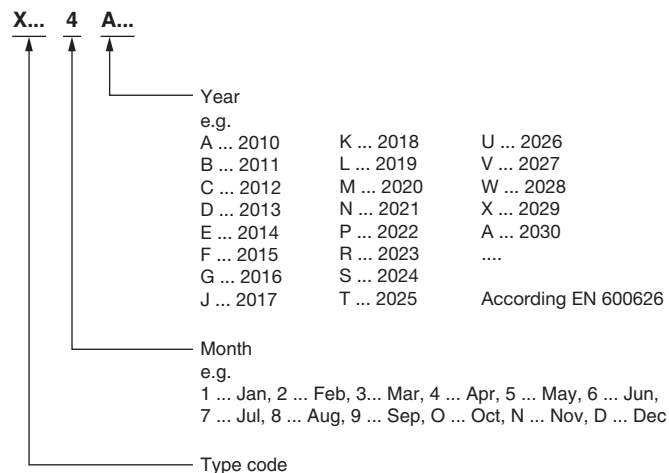


LLP75, LLP1713, LLP2510, LLP2513, LLP3313 MARKING

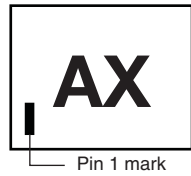


Note
• Type code refers to individual datasheet

DATE CODE



LLP1006, LLP1010 MARKING



Note
• Type code refers to individual datasheet

DATE CODE

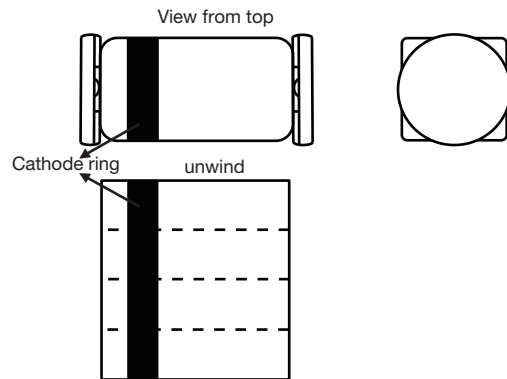
X... A...

Jan14-A, Feb14-B, Mar14-C, Apr14-D, May14-E, Jun14-F, Jul14-G, Aug14-H, Sep14-J, Oct14-K, Nov14-M, Dec14-N, Jan15-P, Feb15-Q, Mar15-R, Apr15-S, May15-T, Jun15-U, Jul15-V, Aug15-W, Sep15-X, Oct15-Y, Nov15-Z, Dec15- ν , Jan16- ξ , Feb16- ζ , Mar16- η , Apr16- θ , May16- ι , Jun16- κ , Jul16- λ , Aug16- μ , Sep16- ν , Oct16- ξ , Nov16- ζ , Dec16- η , Jan17- λ , Feb17- μ , Mar17- ν , Apr17- ξ , May17- ζ , Jun17-1, Jul17-2, Aug17-3, Sep17-4, Oct17-5, Nov17-6, Dec17-7, Jan18 = Jan14,....

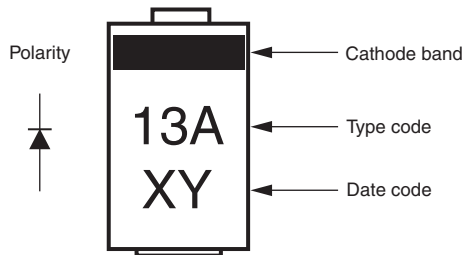
Type code

MicroMELF MARKING

Marking: cathode



MicroSMF (DO-219AC) MARKING



Note
• Type code refers to individual datasheet

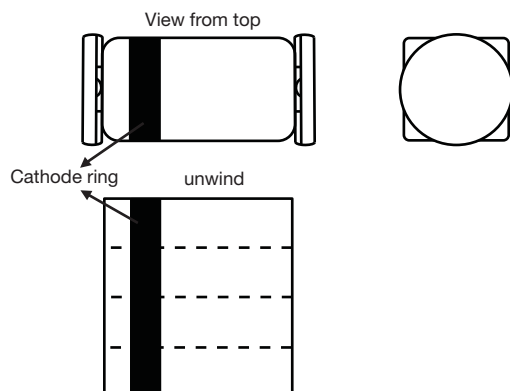
DATE CODE

X Y

Month
1 to 9 = January to September
A = October
B = November
C = December
Year (e.g., 5 = 2015
6 = 2016)

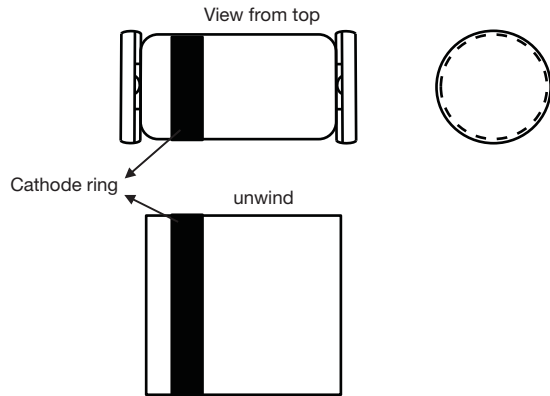
QuadroMELF (SOD-80) MARKING

Marking: cathode



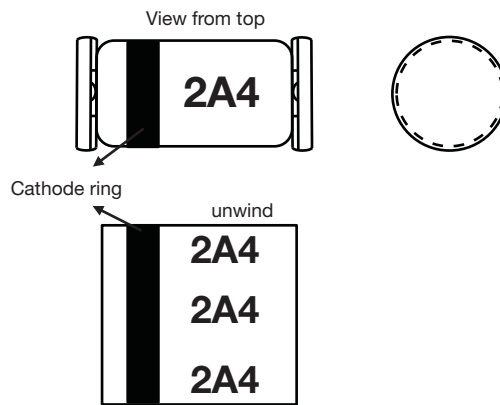
MiniMELF (SOD-80) MARKING

Marking: cathode

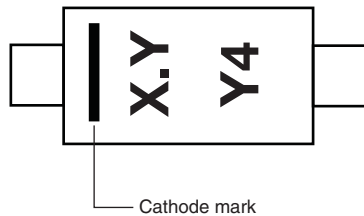


MiniMELF (SOD-80) TLZ MARKING

Marking: type and cathode

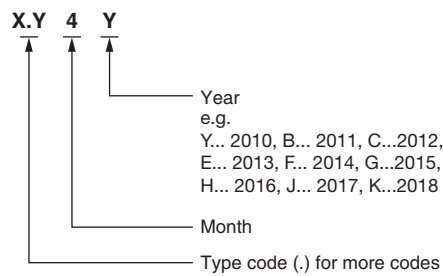


SOD-123 MARKING



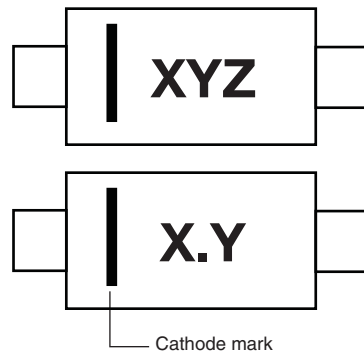
Note
• Type code refers to individual datasheet

DATE CODE

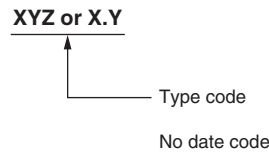


According to EN 600626

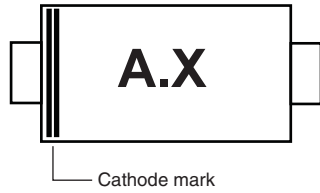
SOD-323 MARKING



Note
• Type code refers to individual datasheet

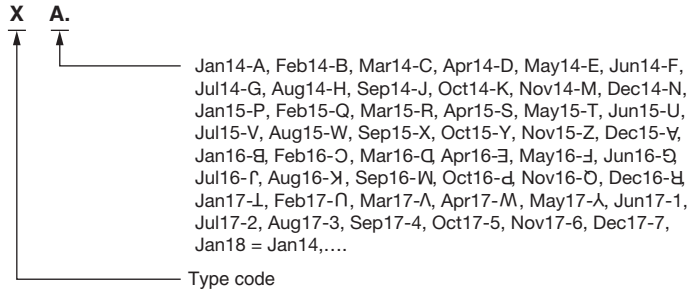


SOD-523 MARKING

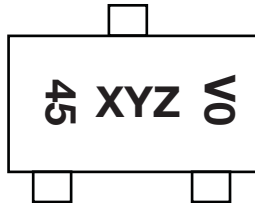


Note
• Type code refers to individual datasheet

DATE CODE

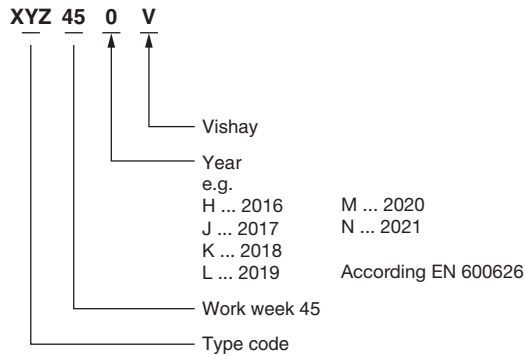


SOT-23 MARKING

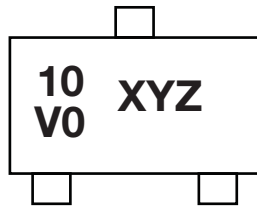


Note
• Type code refers to individual datasheet

DATE CODE

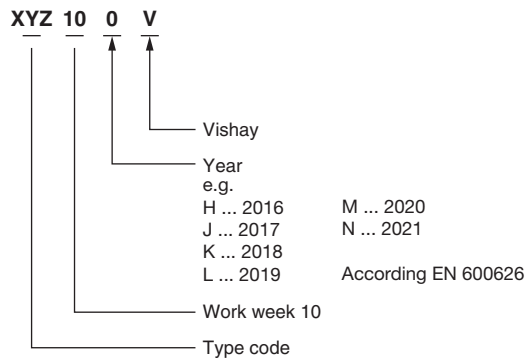


SOT-3xx MARKING



Note
• Type code refers to individual datasheet

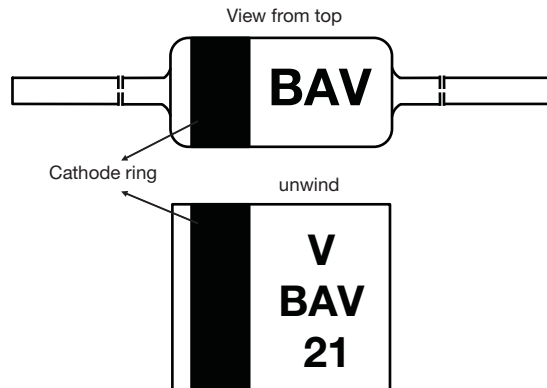
DATE CODE



AXIAL MARKING

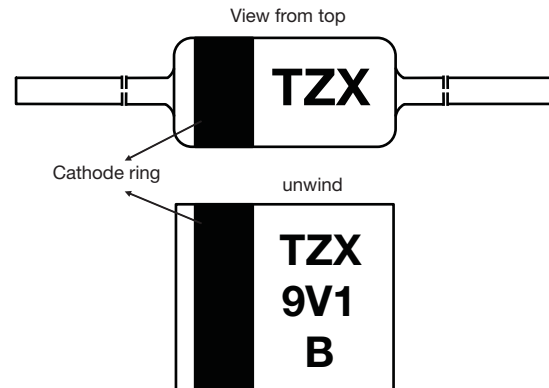
DO-35 (DO-204AH) BAV, BAW, BAS MARKING

Marking: type and cathode



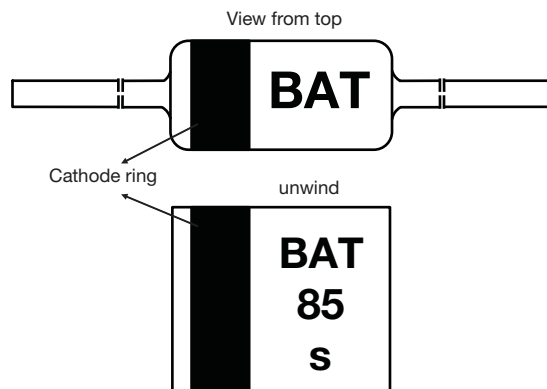
DO-35 (DO-204AH) ZENER TZX MARKING

Marking: type and cathode



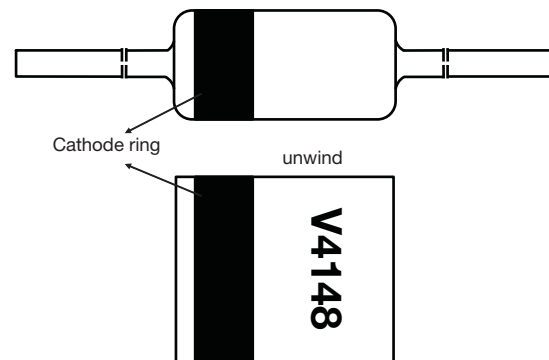
DO-35 (DO-204AH) SCHOTTKY BAT, SD MARKING

Marking: type and cathode



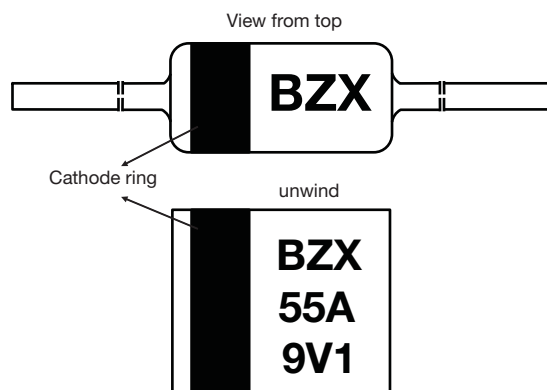
DO-35 (DO-204AH) 1N4148 MARKING

Marking: type and cathode



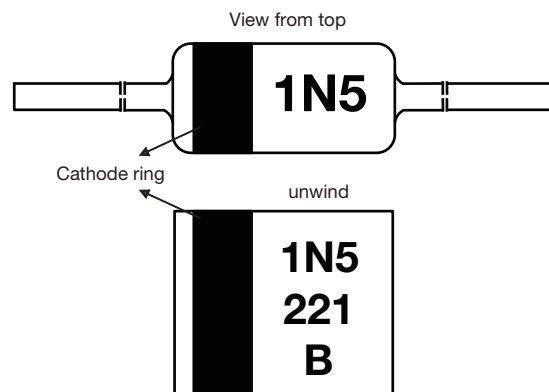
DO-35 (DO-204AH) ZENER BZX55 MARKING

Marking: type and cathode



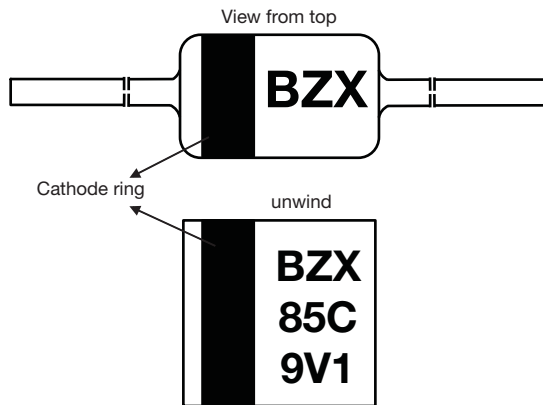
DO-35 (DO-204AH) ZENER 1N52 MARKING

Marking: type and cathode



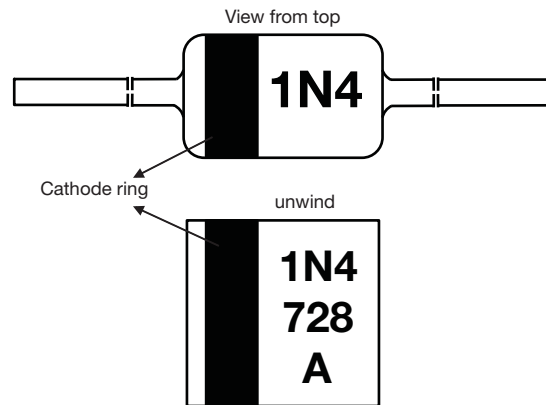
DO-41 (DO-204AL) BZX85 MARKING

Marking: type and cathode



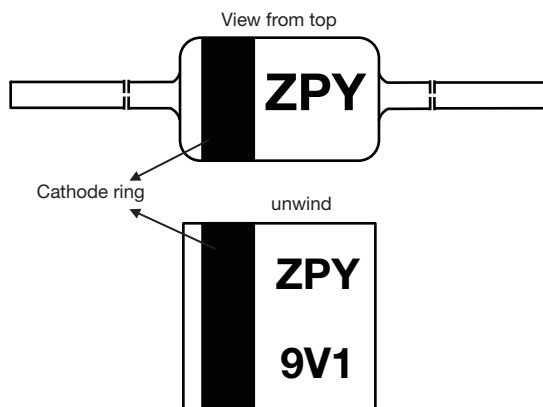
DO-41 (DO-204AL) 1N47xx MARKING

Marking: type and cathode

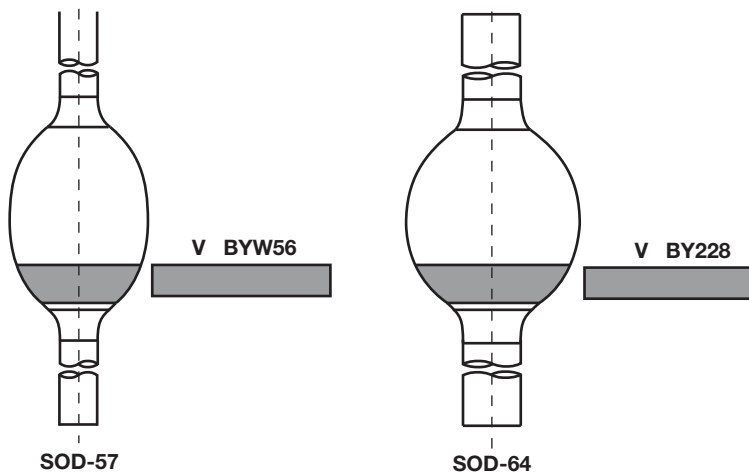


DO-41 (DO-204AL) ZPY MARKING

Marking: type and cathode



SOD-57, SOD-64 MARKING CODE



SOD-57 and SOD-64 Avalanche diodes

The unique part number is followed by letter "V", means Vishay
e.g. BYT62 V; SF1600 V or BYW83 V

SOD-57 Zener diodes

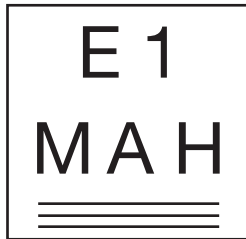
BZT03Cxx - where "xx" means the Zener voltage (no "V" after the part number)

SOD-64 Zener diodes

BZW03Cxx - where "xx" means the Zener voltage (no "V" after the part number)

Vishay Semiconductors (High Power Products)

SMF (DO-219AB) MARKING



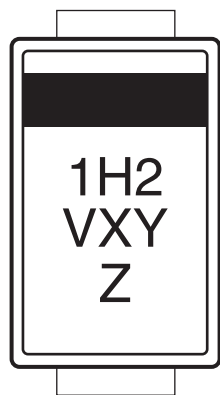
1st row

First digit: year (E = 2013; F = 2014; G = 2015; H = 2016; I = 2017; K = 2018; L = 2019.....) According to EN 600626
Second digit: month (1 = Jan; 2 = Feb; ... O = Oct; N = Nov; D = Dec)

2nd row

First digit: environmental digit
Second digit: current / voltage rating

SMA (DO-214AC), SMB (DO-214AA), SMC (DO-214AB) (FRED Pt®) MARKING



← Cathode band
← Type code
← Date code
← Environmental digit code

Type Code

1 H 2
Voltage
FRED Pt®
2 = 200 V
..
6 = 600 V

Current
1 = 1 A
..
5 = 5 A

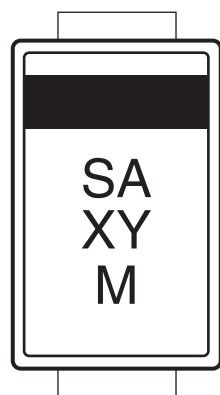
Date Code

X Y
Month:
1 to 9 = January to September
A = October
B = November
C = December

Year
(e.g. 1 = 2011, 2 = 2012)

Process type:
X = hyperfast recovery time
H = hyperfast recovery time
U = ultrafast recovery time
L = low V_f ultrafast recovery time

SMA (DO-214AC), SMB (DO-214AA), SMC (DO-214AB) (Schottky) MARKING



← Cathode band
← Type code
← Date code
← Halogen-free compound mark

Type Code

S A
Voltage
Schottky standard:
C = 15 V
E = 30 V
F = 40 V
H = 60 V
J = 100 V

Current
1 = 1 A
X = 1.5 A
2 = 2 A
3 = 3 A
4 = 4 A
..
..

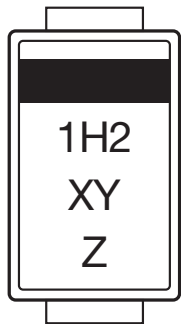
Date Code

X Y
Month:
1 to 9 = January to September
A = October
B = November
C = December

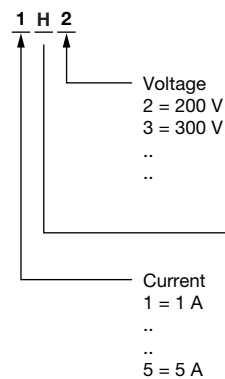
Year
(e.g. 1 = 2011, 2 = 2012)

Schottky MBR series:
2 = 20 V
3 = 30 V
4 = 40 V
6 = 60 V
9 = 90 V
0 = 100 V

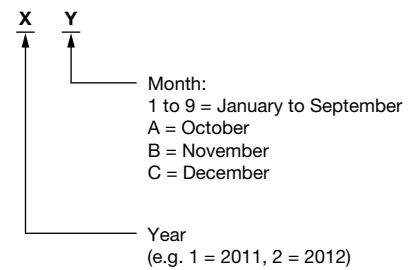
SlimSMA (DO-221AC) MARKING



Type Code



Date Code

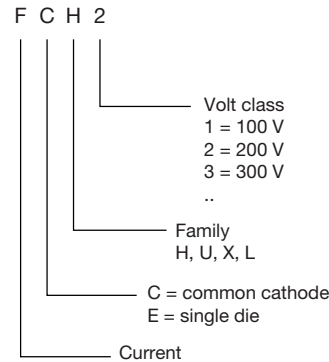


SMPC MARKING

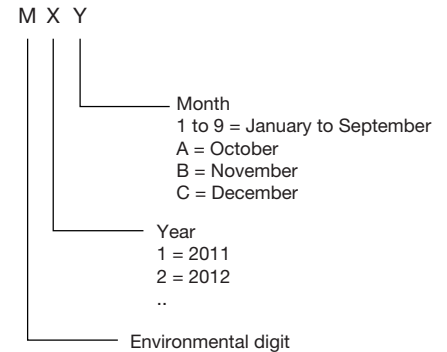


Polarity (For rectifiers)

1st row

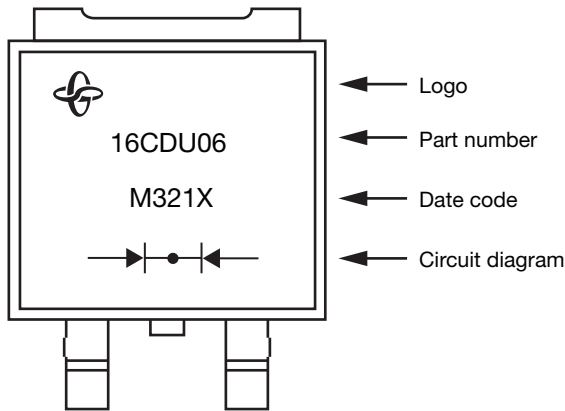


2nd row

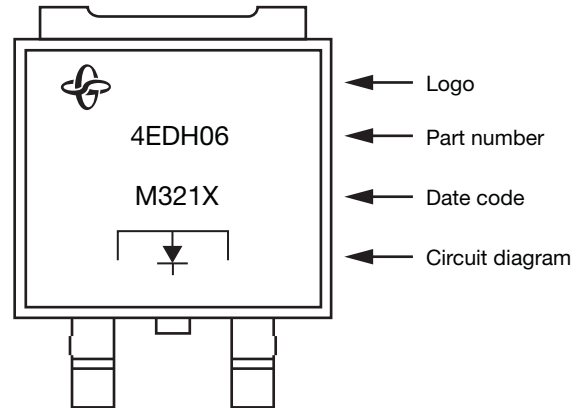


CURRENT	DIGIT	CURRENT	DIGIT
1	D	8	Q
2	F	7	R
3	G	10	S
4	J	11	T
5	K	12	V
6	N	13	Y
7	P	14	Z

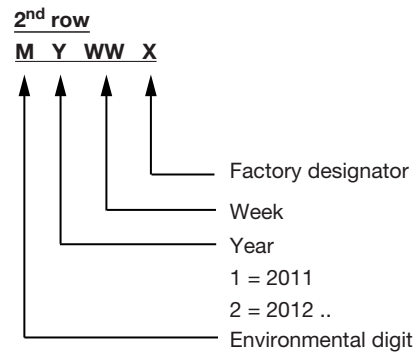
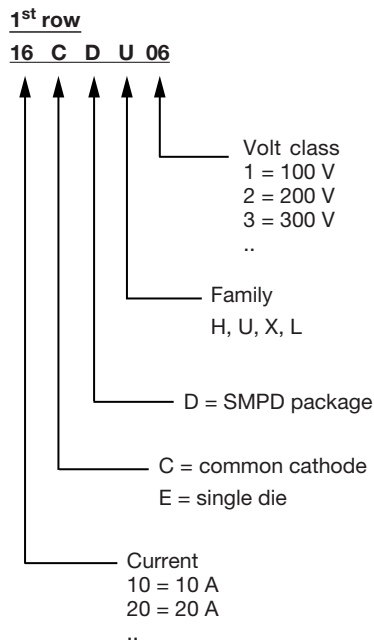
SMPD MARKING



(For Dual Die Parts)



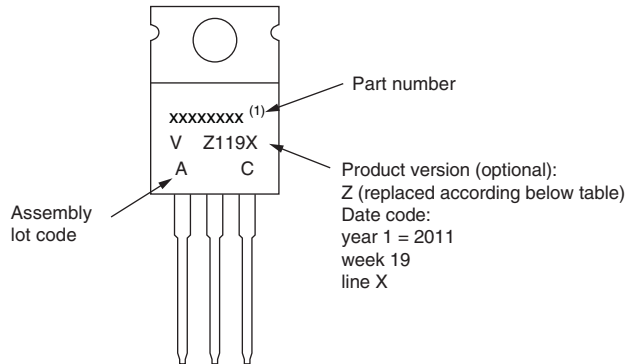
(For Single Die Parts)



TO-220 MARKING

Examples: TO-220AB, TO-220FP, TO-220AC E, TO-220AC-N3

TO-220AB E

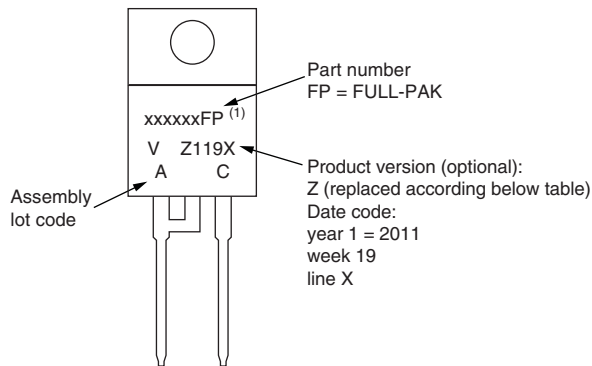


Example: This is a xxxxxxxx⁽¹⁾ with assembly lot code AC, assembled on WW 19, 2011 in the assembly line "X"

Note

⁽¹⁾ If part number contains "H" as last digit, product is AEC-Q101 qualified

TO-220FP-N3

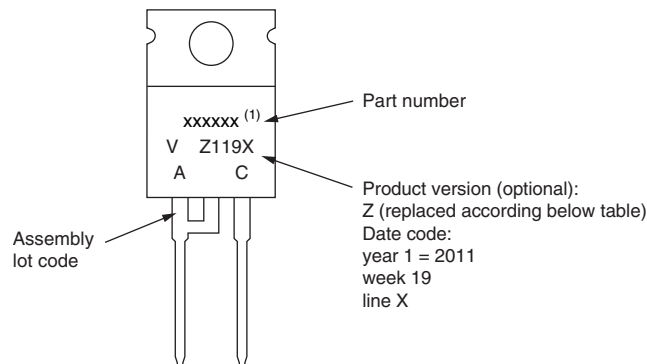


Example: This is a xxxxxxFP⁽¹⁾ with assembly lot code AC, assembled on WW 19, 2011 in the assembly line "X"

Note

⁽¹⁾ If part number contains "H" as last digit, product is AEC-Q101 qualified

TO-220AC E, TO-220AC-N3

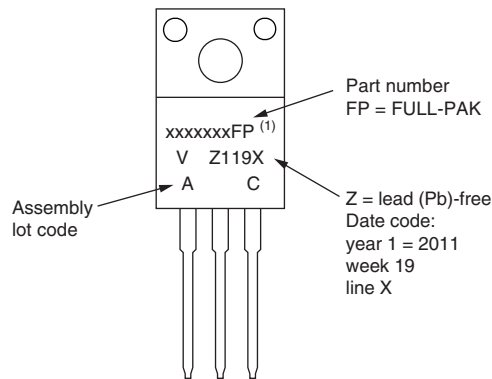


Example: This is a xxxxxx⁽¹⁾ with assembly lot code AC, assembled on WW 19, 2011 in the assembly line "X"

Note

⁽¹⁾ If part number contains "H" as last digit, product is AEC-Q101 qualified

TO-220FP 2L

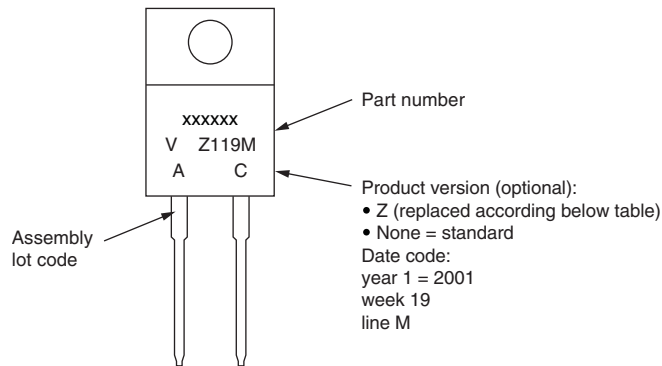


Example: This is a xxxxxxFP⁽¹⁾ with assembly lot code AC, assembled on WW 19, 2011 in the assembly line "X"

Note

⁽¹⁾ If part number contains "H" as last digit, product is AEC-Q101 qualified

TO-220AC 2L



Example: This is a xxxxxx with assembly lot code AC, assembled on WW 19, 2001 in the assembly line "M"

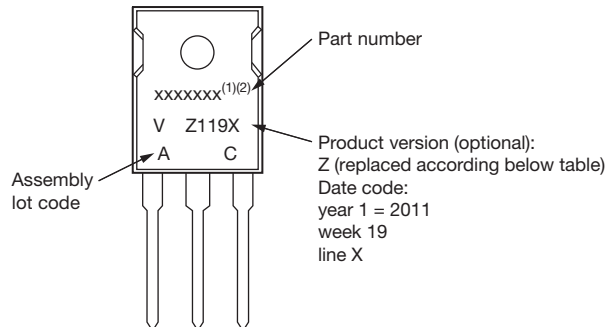
Note

⁽¹⁾ If part number contains "H" as last digit, product is AEC-Q101 qualified

TO-247 MARKING

Examples:

TO-247, 3 pins long-lead

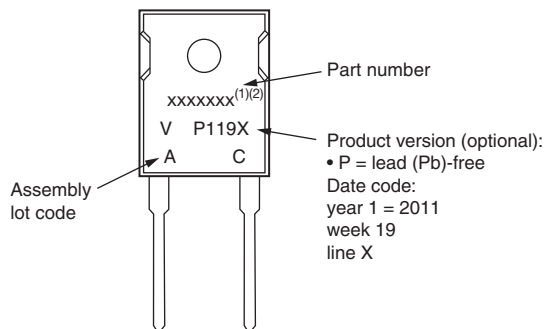


Example: This is a xxxxxxx⁽¹⁾ with assembly lot code AC, assembled on WW 19, 2011 in the assembly line "X"

Notes

- (1) If part number contains "H" as last digit, product is AEC-Q101 qualified
- (2) If part number contains "L", product is long-lead

TO-247, 2 pins long-lead

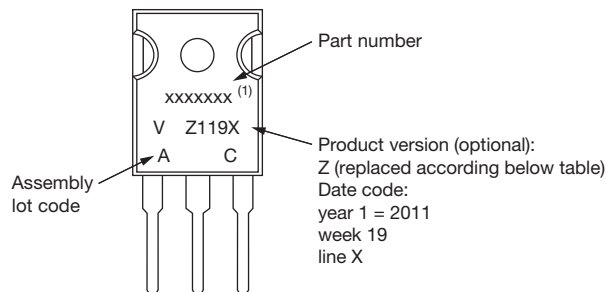


Example: This is a xxxxxxx with assembly lot code AC, assembled on WW 19, 2011 in the assembly line "X"

Notes

- (1) If part number contains "H" as last digit, product is AEC-Q101 qualified
- (2) If part number contains "L", product is long-lead

TO-247AC-N3

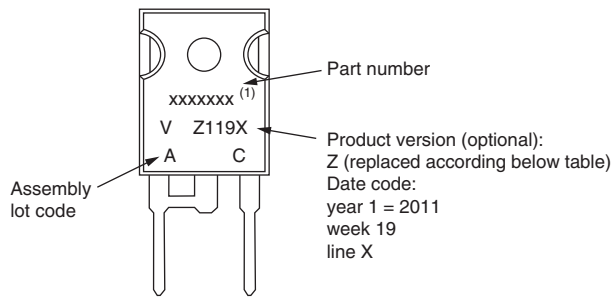


Example: This is a xxxxxxx⁽¹⁾ with assembly lot code AC, assembled on WW 19, 2011 in the assembly line "X"

Note

- (1) If part number contains "H" as last digit, product is AEC-Q101 qualified

TO-247AC-N3 modified

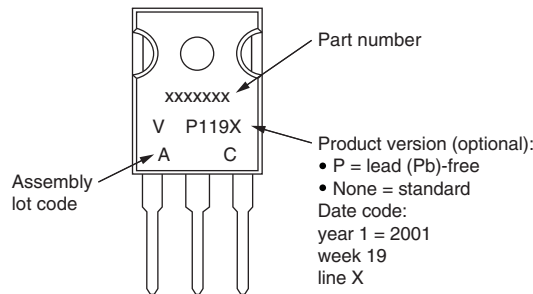


Example: This is a xxxxxx⁽¹⁾ with assembly lot code AC, assembled on WW 19, 2011 in the assembly line "X"

Note

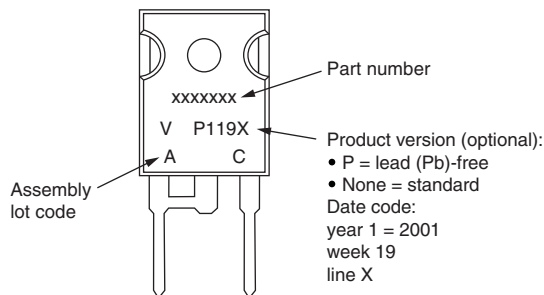
⁽¹⁾ If part number contains "H" as last digit, product is AEC-Q101 qualified

TO-247 PbF



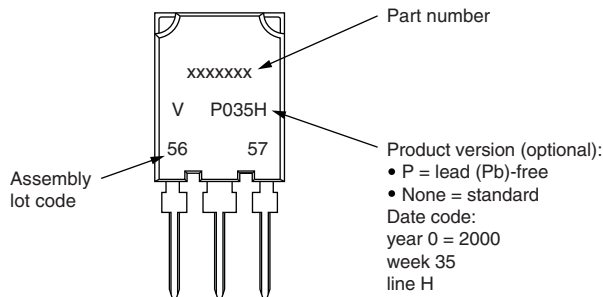
Example: This is a xxxxxx with assembly lot code AC, assembled on WW 19, 2001 in the assembly line "X"

TO-247 PbF modified



Example: This is a xxxxxx with assembly lot code AC, assembled on WW 19, 2001 in the assembly line "X"

Super TO-247

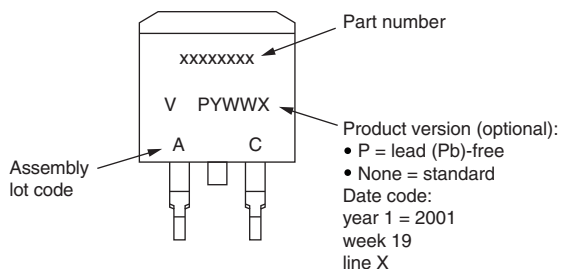


Example: This is a xxxxxx with assembly lot code 5657, assembled on WW 35, 2000 in assembly line "H"

D²PAK (TO-263AA), TO-262 MARKING

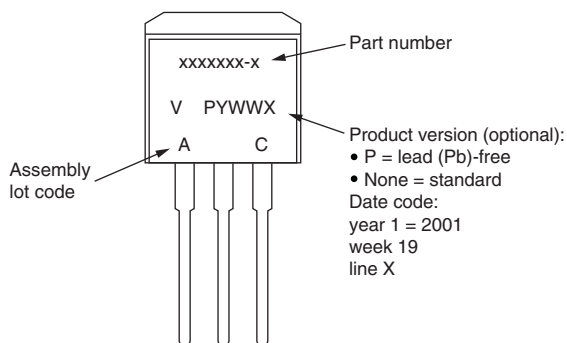
Examples:

D²PAK E (TO-263AA)



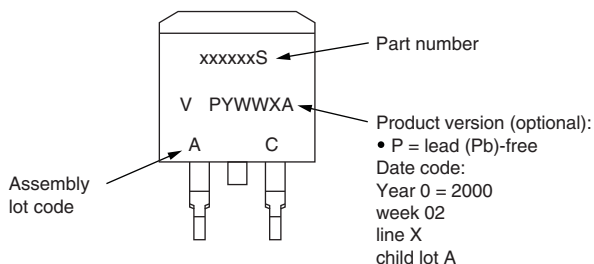
Example: This is a xxxxxxx with assembly lot code AC, assembled on WW 19, 2001 in the assembly line "X"

TO-262AA



Example: This is a xxxxxx-x with assembly lot code AC, assembled on WW 19, 2001 in the assembly line "X"

D²PAK (TO-263AA)

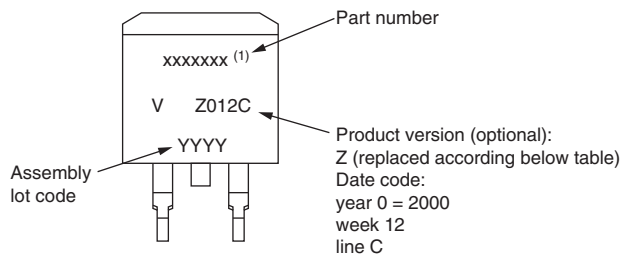


Example: This is a xxxxxS with assembly lot code AC, assembled on WW 02, 2000

DPAK (TO-252AA) MARKING

Examples:

DPAK E

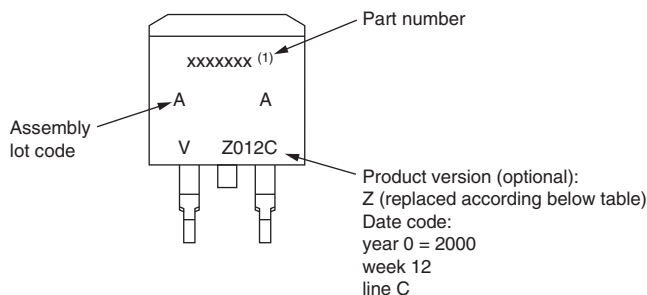


Example: This is a xxxxxxx with assembly lot code YYYY, assembled on WW 12, 2000 in the assembly line "C"

Note

(1) If part number contains "H" as last digit, product is AEC-Q101 qualified

DPAK



Example: This is a xxxxxxx with assembly lot code YYYY, assembled on WW 12, 2000 in the assembly line "C"

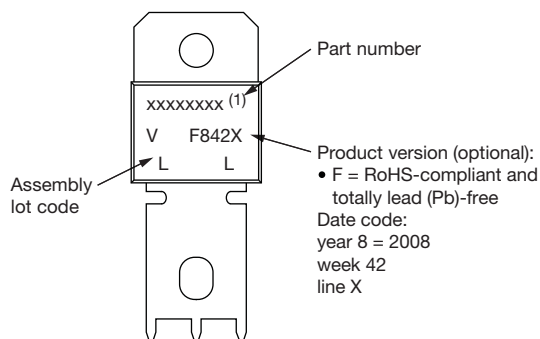
Note

(1) If part number contains "H" as last digit, product is AEC-Q101 qualified

PowerTab® MARKING

Examples:

PowerTab®



Example: This is a xxxxxxx (1) with assembly lot code LL, assembled on WW 42, 2008 in the assembly line "X"

Note

(1) If part number contains "H" as last digit, product is AEC-Q101 qualified