

M16 Male Straight Connector, Assembly



Features

- High level of ingress protection, meaning it is suitable for use in dusty or damp environments
- Robust nickel plated housing
- High endurance
- Designed to provide a convenient and reliable connection system suited to a wide range of industrial applications



Specification

Art Nr.	Contacts	Rated Current	Rated Voltage	Rated Pulse Voltage	Insulation Resistance	Contact Resistance
RND 205-01396	12	3 A	60 V	500 V	100 mOhm	3 MOhm
RND 205-01397	14	3 A	60 V	500 V	100 mOhm	3 MOhm
RND 205-01398	2	7 A	250 V	1.5 kV	100 mOhm	5 MOhm
RND 205-01399	3	7 A	250 V	1.5 kV	100 mOhm	5 MOhm
RND 205-01400	4	6 A	250 V	1.5 kV	100 mOhm	5 MOhm
RND 205-01401	5	6 A	250 V	1.5 kV	100 mOhm	5 MOhm
RND 205-01402	6	5 A	250 V	1.5 kV	100 mOhm	5 MOhm
RND 205-01403	7	5 A	125 V	800 V	100 mOhm	5 MOhm
RND 205-01404	8	5 A	125 V	800 V	100 mOhm	5 MOhm

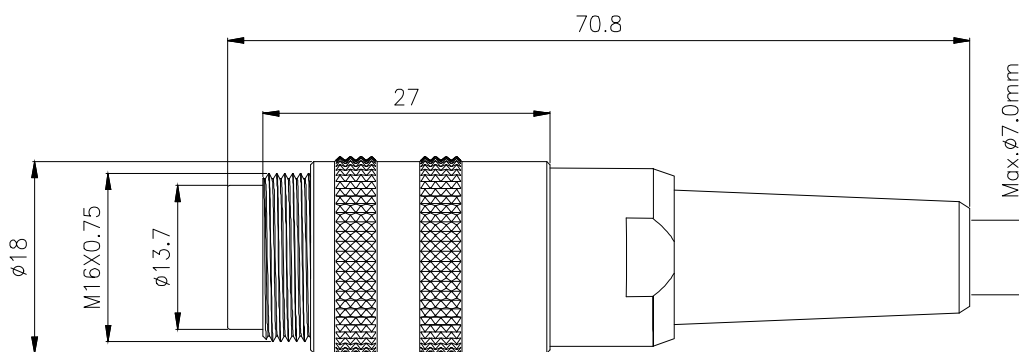
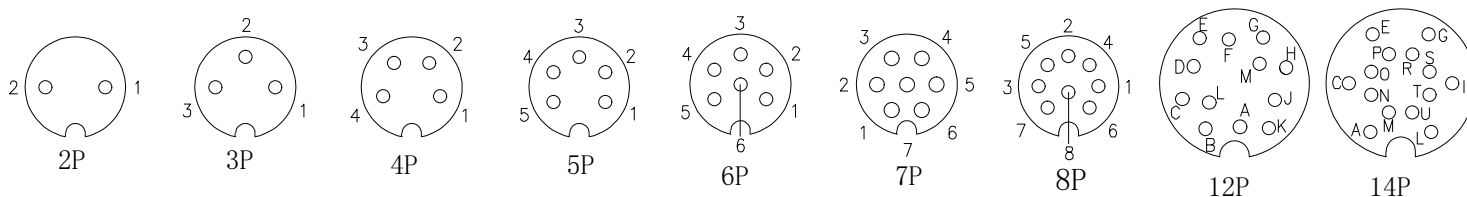
General Specification

Connector Locking	Screw
Termination	Solder
Temperature Range	-25 ... 85 °C
Mating Cycles	> 500
Degree of Protection	IP67

Material Specification

Contact	CuSn
Contact Plating	Gold
Contact Insert	PA66+GF UL94 Black
M16 Coupling	CuZn Nickel Plated
Seal	NBR Black

Drawing & Pin Layout



M16 Male Straight Connector, Assembly



Accessories

RND 205-01435
M16 Protection Cap for Male connector

