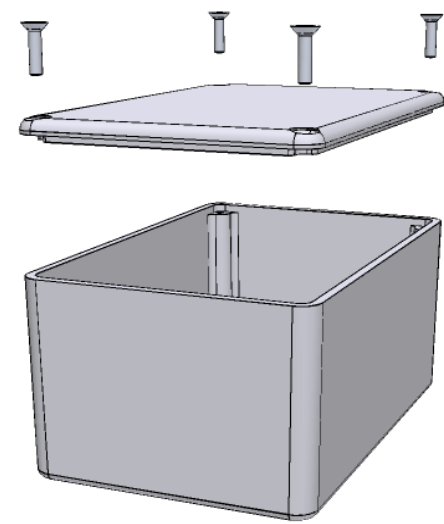
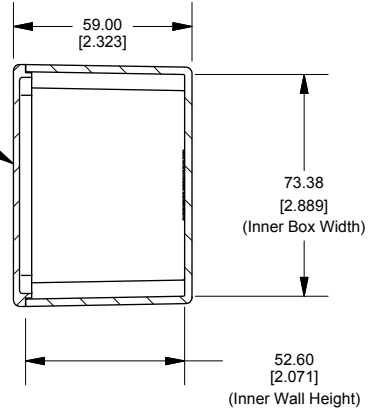
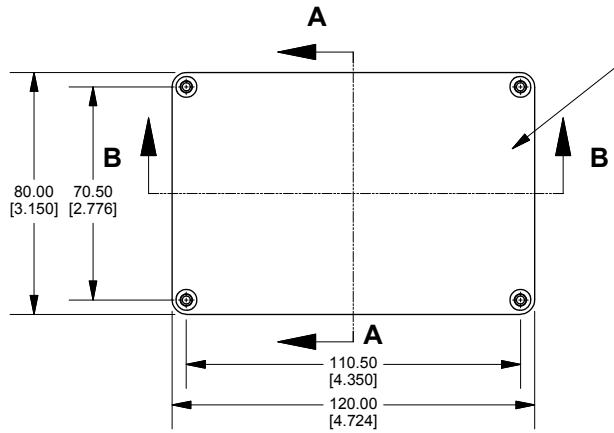


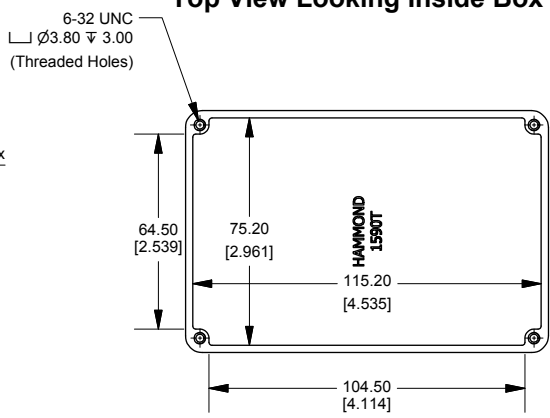
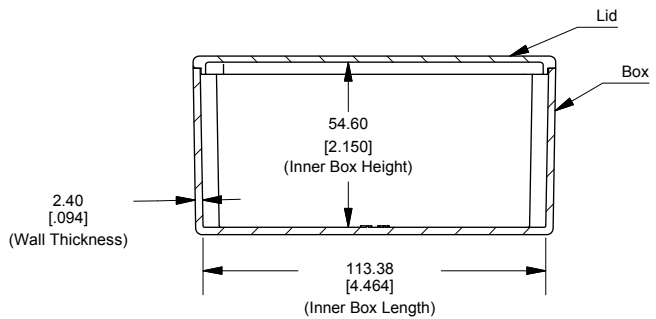
Top View of Assembly

**SECTION A-A
End View of Assembly**



**SECTION B-B
Side View of Assembly**

Top View Looking Inside Box



Enclosures can be Factory Modified (Milling, Drilling, Printing etc.)
Contact Factory mjm@hammondmfg.com for quotes
Solid models of this enclosure available in STEP or IGES.

NOTE

Purchased assembly includes box, lid and 4 cover screws.
Box and lid are made from Diecast Aluminum Alloy.
Silicone Gasket supplied with liquid resistant enclosure.

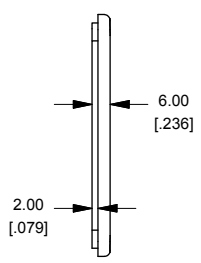
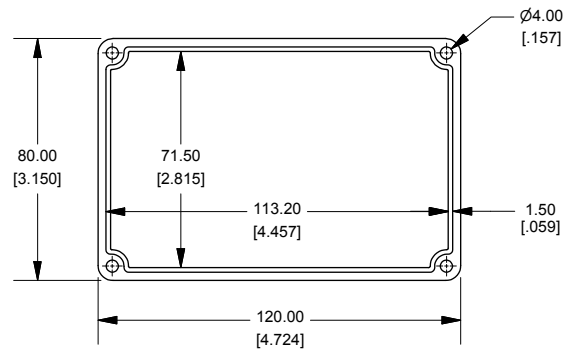
PART NUMBERS

1590T Enclosure	
Natural Finish Enclosure	1590T
Black Textured Enclosure	1590TBK
1590T Liquid Resistant Enclosure (Silicone Gasket)	
Natural Finish Enclosure	1590WT
Black Textured Enclosure	1590WTBK

ACCESSORIES

Recommended Torque: 75 ozf.in / 55 cN.m	
Liquid Resistant Cover Screws	
Stainless Steel Cover Screws (Pkg 100) [6-32 x 1/2" With O-Ring]	1590WMS100
Black Stainless Steel Cover Screws (Pkg 100) [6-32 x 1/2" With O-Ring]	1590WMS100BK
Standard Cover Screws	
Plated Cover Screws (Pkg 100) [6-32 x 1/2"]	1590MS100
Black Cover Screws (Pkg 100) [6-32 x 1/2"]	1590MS100BK

Lid



Dimensions:
mm
[inches]

**HAMMOND
MANUFACTURING™**

1590T

www.hammondmfg.com