


U.I. Lapp GmbH	PRODUCT INFORMATION	
	SKINDICHT® CN-M	29.10.2012

For high temperatures
Resistant to oils, solvents, acids and chemicals
Seawater-resistant
For high mechanical stress
High corrosion-resistance



Application range

Chromium nickel steel cable gland with VITON® seal, specially designed for use under tough conditions.
Pharmaceutical and petrochemical industry
Offshore sector
Wind power plants
Brickworks

Design

Metric connection thread acc. to EN 50262

Note

Refer to the chart to find a suitable counter-nut for SKINDICHT® SM CrNi M

Remark

Viton® is a registered trademark of DuPont de Nemours
Photographs are not to scale and do not represent detailed images of the respective products.

Technical Data


Caution:	The installation dimensions can be found in appendix T21
Material:	Body: chrome-nickel steel in accordance with DIN, material no. 1.4305 Inner seal: FPM O-ring: FPM
Protection rating:	IP 68 - 5 bar
Temperature range:	-25°C to +200°C

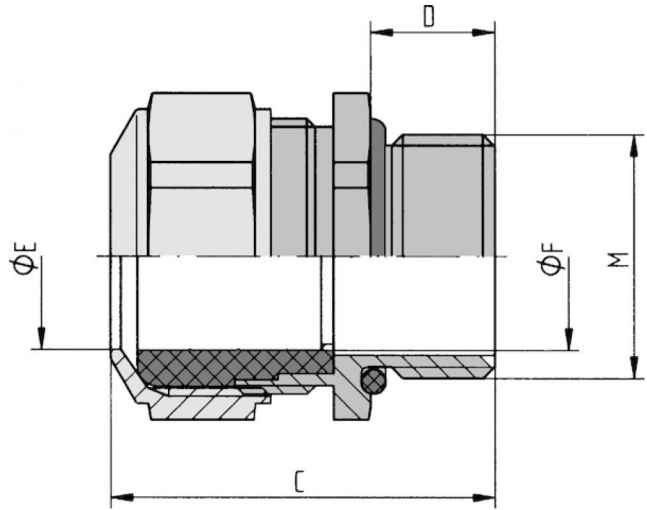
Product Management	Document: LAPP_PRO1018EN.pdf	1 / 3
--------------------	------------------------------	-------

SKINDICHT® CN-M

29.10.2012

Part number	Article designation / size	Clamping range ØF (mm)	SW (mm)	Overall length/ C (mm)	Thread length/ D (mm)
SKINDICHT® CN-M					
52032580	12 x 1,5/1	3,5 - 5	17	27.0	10.0
52032590	12 x 1,5/2	5 - 6,5	17	27.0	10.0
52032600	12 x 1,5/3	6,5 - 8	17	27.0	10.0
52032610	16 x 1,5	8 - 10,5	18	30.0	10.0
52032620	20 x 1,5	11 - 15	24	31.0	10.0
52032630	25 x 1,5	16 - 20,5	30	36.0	11.0
52032640	32 x 1,5	21 - 25,5	36	41.0	13.0
52032650	40 x 1,5	28,5 - 33	46	44.0	13.0
52032660	50 x 1,5	37 - 42	55	48.0	14.0
52032670	63 x 1,5	46 - 52	70	51.0	14.0
SKINDICHT® SM CrNi M counter nuts					
52032585	12 x 1,5	-	17	3.0	3.0
52032615	16 x 1,5	-	19	3.0	3.0
52032625	20 x 1,5	-	24	3,5	3,5
52032635	25 x 1,5	-	30	3,5	3,5
52032645	32 x 1,5	-	36	4,5	4,5
52032655	40 x 1,5	-	46	4,5	4,5
52032665	50 x 1,5	-	55	5,5	5,5
52032675	63 x 1,5	-	70	6.0	6.0

U.I. Lapp GmbH	PRODUCT INFORMATION	
	SKINDICHT® CN-M	29.10.2012



Product Management	Document: LAPP_PRO1018EN.pdf	3 / 3
--------------------	------------------------------	-------