



Brand of NTN Group

Technical data

EXP312

Bearing units

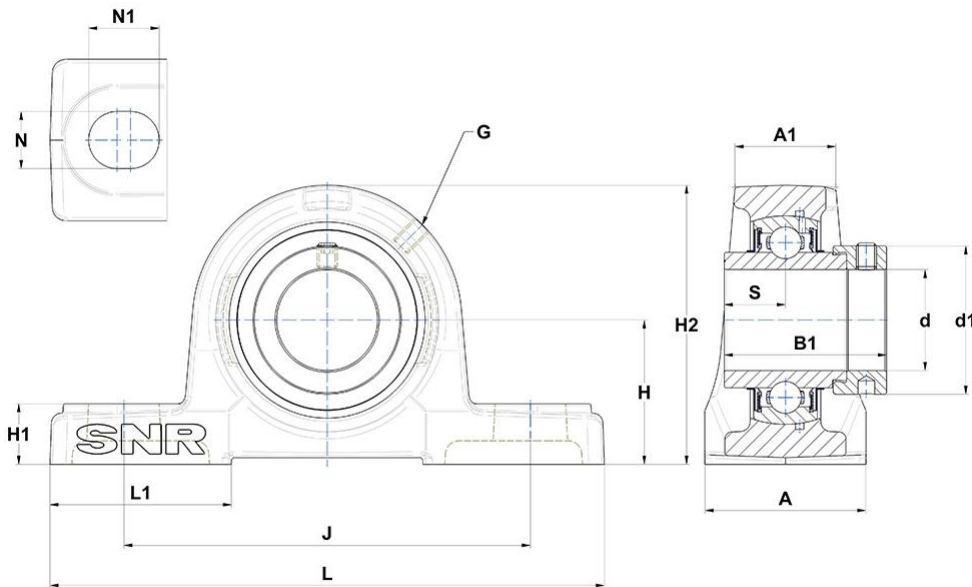


Grey cast housing, radial insert ball bearing with eccentric locking collar, seal with slinger

KIT CONTENT

EX312G2, P312

VISUAL (S)



PRODUCT DEFINITION

| | |
|---|---------|
| Brand | SNR |
| A - Housing width | 85 mm |
| A1 - Housing top width | 54 mm |
| B - Width of Inner Ring | 61,9 mm |
| d - Shaft diameter | 60 mm |
| d1 - Outer dia of eccent. Lock. collar / nut of adapter sleeve | 89 mm |



NTN Europe

1 rue des Usines · BP 2017 · 74010 Annecy Cedex · France · Tel. +33 (0)4 50 65 30 00
S.A. au capital de 322 639 919 € · RCS ANNECY B 325 821 072 · Id. Fiscale : FR 48 325 821 072
SIRET 325 821 072 00015 · Code APE 2815 Z · Code NACE 28.15

PRODUCT DEFINITION

| | |
|--|----------|
| G - Grease fitting | M6x1 |
| H - Distance mounting base to centerline spheric. seating diam. | 85 mm |
| H1 - Housing foot height | 32 mm |
| H2 - Housing height | 165 mm |
| J - Mounting holes distance | 250 mm |
| L - Housing length | 330 mm |
| L1 - Housing foot length | 95 mm |
| N - Mounting hole dimension | 25 mm |
| N1 - Mounting hole length | 38 mm |
| S - Distance front side/bearing centre | 30,95 mm |

PRODUCT PERFORMANCE

| | |
|-----------------------------------|-------------|
| C - Dynamic load rating | 81600000 mN |
| C0 - Static load rating | 51800000 mN |
| Operating temperature min. | 253,15 °K |
| Operating temperature max. | 373,15 °K |

OTHER FEATURES

| | |
|--|---------|
| Mass | 9,79 kg |
| Recommended tightening torque for set screw | 22 N-m |

