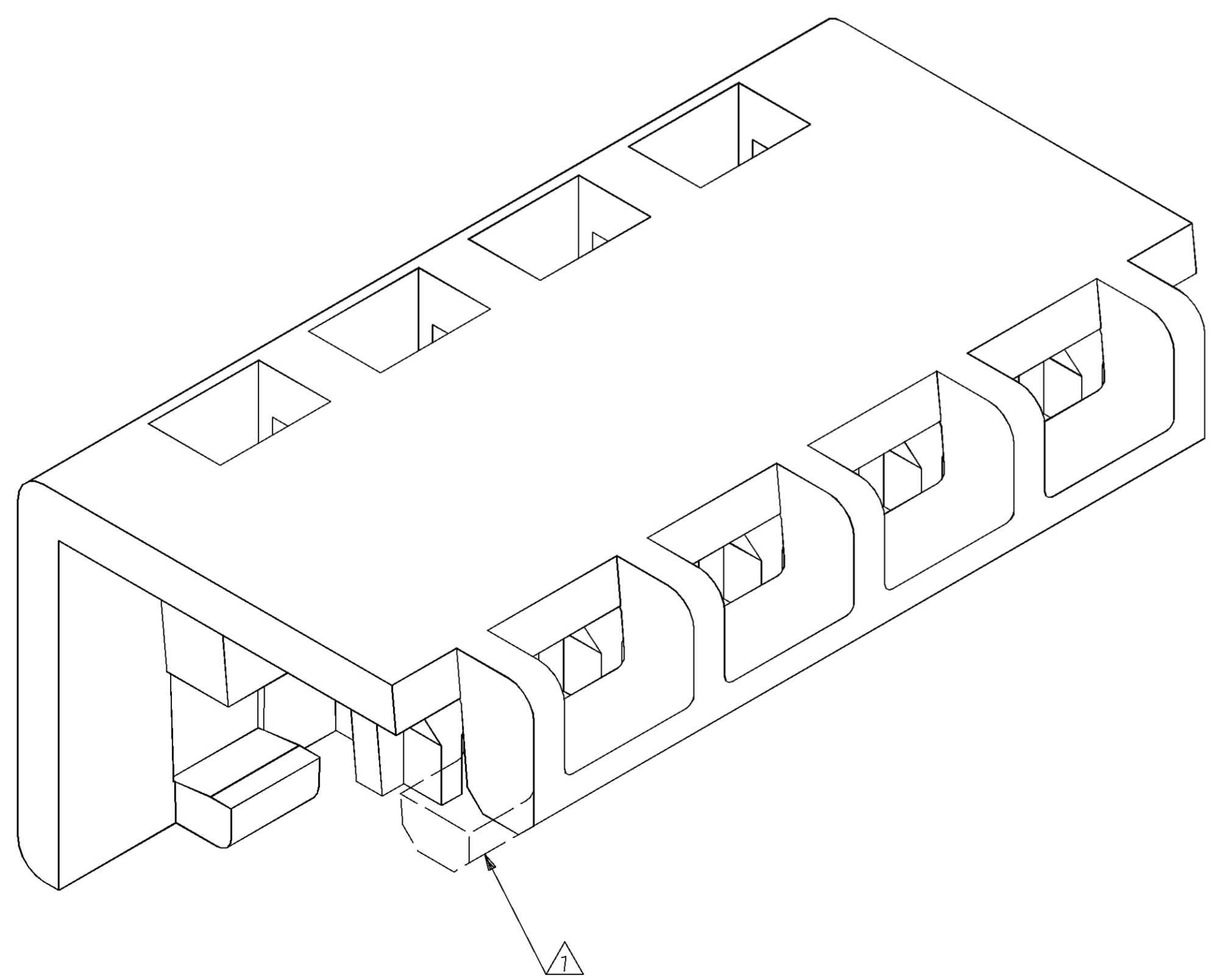
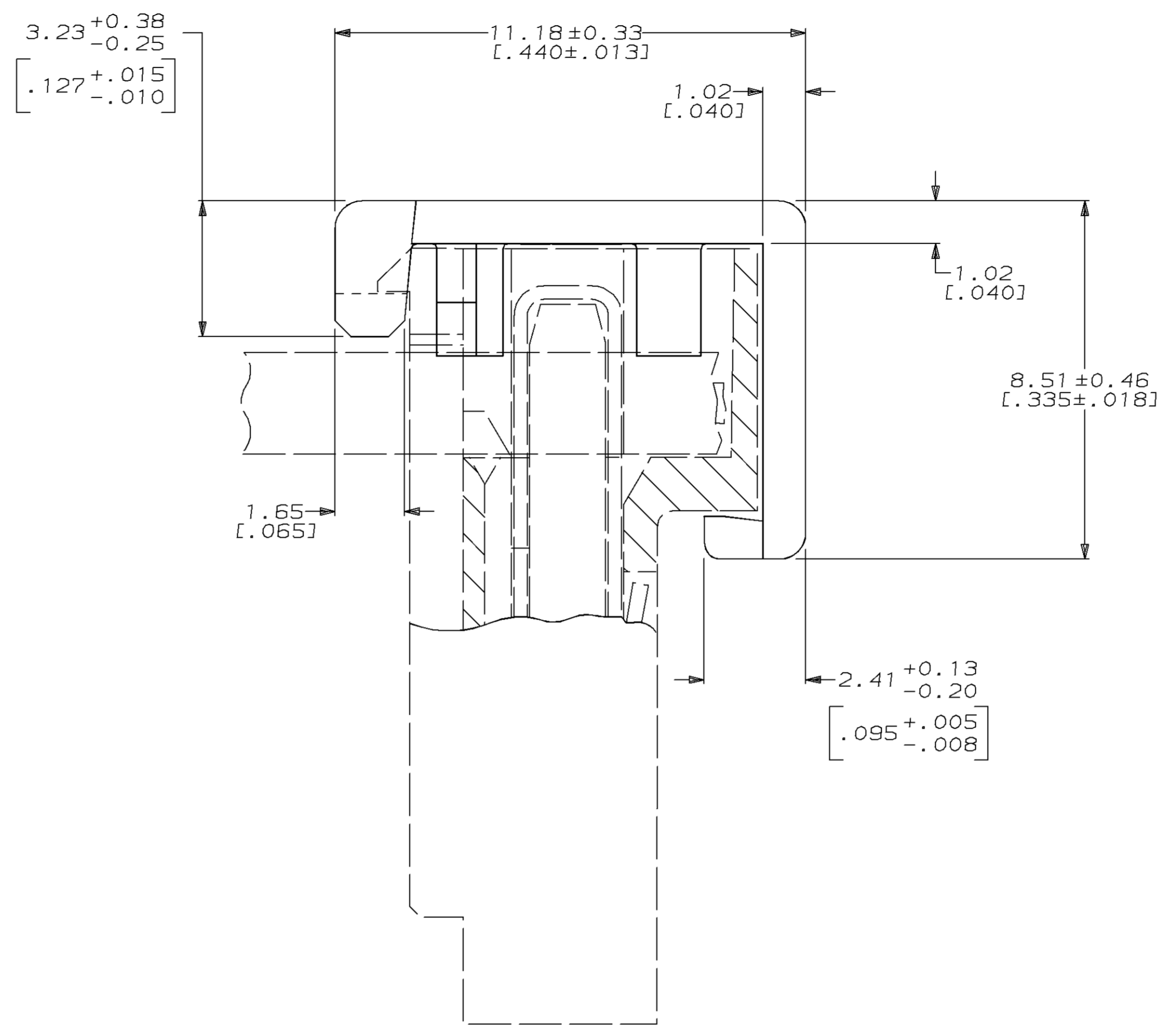
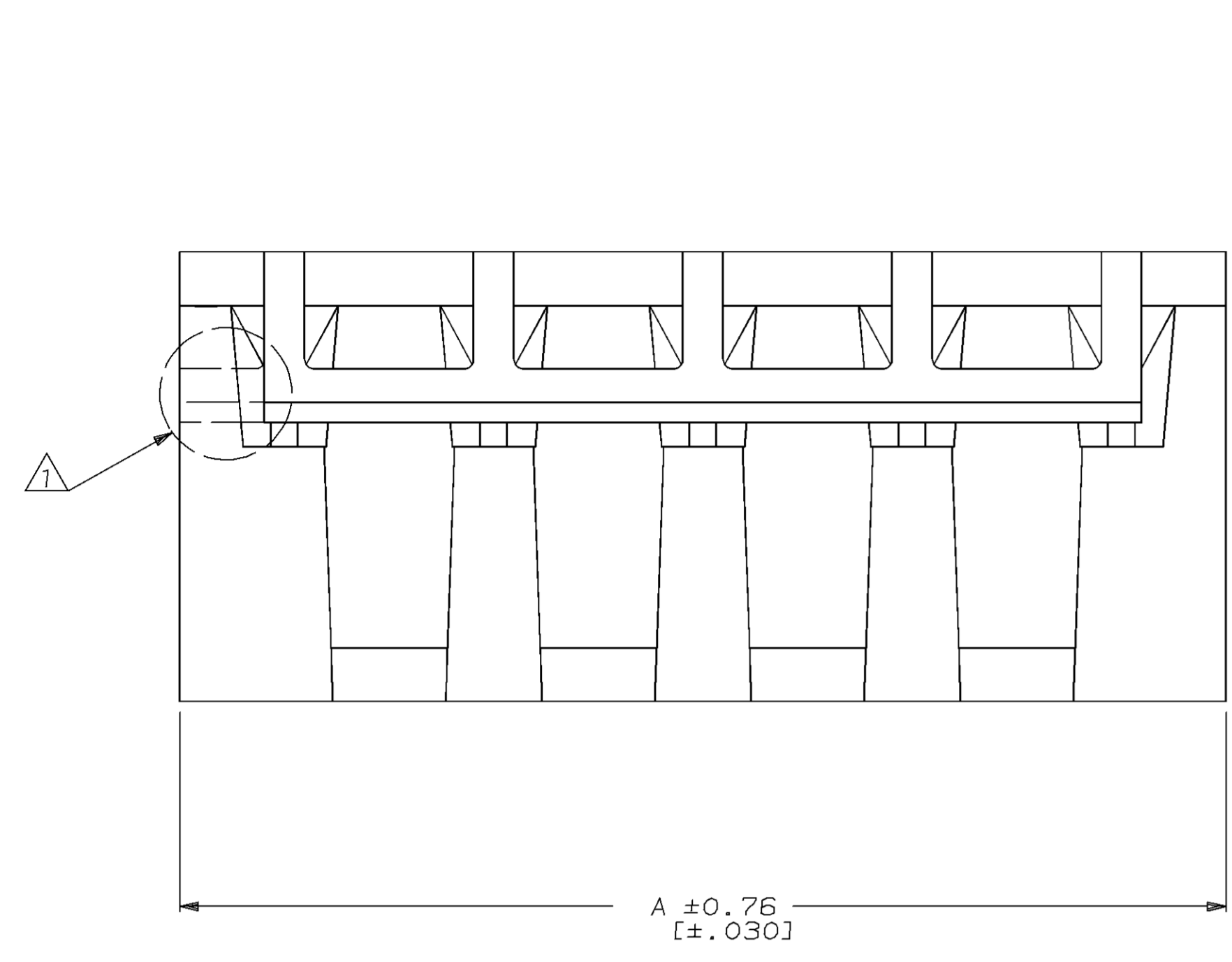


LOC		DIST		P		F		ZONE		LTR		REVISIONS			
CM	54											DESCRIPTION	DATE	APPD	
												G	REV PER EC 0730-0158-95	10-13-95	RV

1. PART MAY BE MOLDED TO DESIRED POSITION SIZE OR CUT TO DESIRED POSITION SIZE FROM A LARGER POSITION SIZE PART. WHEN PART IS CUT TO DESIRED POSITION SIZE, A PORTION OF FRONT LOCKING BAR WILL REMAIN ATTACHED.
2. DIMENSIONS IN BRACKETS ARE IN INCHES.
3. TWO POSITION (-2) PARTS WILL BE MOLDED ONLY.



3-DIMENSIONAL MODEL
NTS

24 CIRCUIT ASSEMBLIES	95.10 [3.744]	2-643067-4
23 CIRCUIT ASSEMBLIES	91.14 [3.588]	2-643067-3
22 CIRCUIT ASSEMBLIES	87.17 [3.432]	2-643067-2
21 CIRCUIT ASSEMBLIES	83.21 [3.276]	2-643067-1
20 CIRCUIT ASSEMBLIES	79.25 [3.120]	2-643067-0
19 CIRCUIT ASSEMBLIES	75.29 [2.964]	1-643067-9
18 CIRCUIT ASSEMBLIES	71.32 [2.808]	1-643067-8
17 CIRCUIT ASSEMBLIES	67.36 [2.652]	1-643067-7
16 CIRCUIT ASSEMBLIES	63.40 [2.496]	1-643067-6
15 CIRCUIT ASSEMBLIES	59.44 [2.340]	1-643067-5
14 CIRCUIT ASSEMBLIES	55.47 [2.184]	1-643067-4
13 CIRCUIT ASSEMBLIES	51.51 [2.028]	1-643067-3
12 CIRCUIT ASSEMBLIES	47.55 [1.872]	1-643067-2
11 CIRCUIT ASSEMBLIES	43.59 [1.716]	1-643067-1
10 CIRCUIT ASSEMBLIES	39.62 [1.560]	1-643067-0
9 CIRCUIT ASSEMBLIES	35.66 [1.404]	643067-9
8 CIRCUIT ASSEMBLIES	31.70 [1.248]	643067-8
7 CIRCUIT ASSEMBLIES	27.74 [1.092]	643067-7
6 CIRCUIT ASSEMBLIES	23.77 [.936]	643067-6
5 CIRCUIT ASSEMBLIES	19.81 [.780]	643067-5
4 CIRCUIT ASSEMBLIES	15.85 [.624]	643067-4
3 CIRCUIT ASSEMBLIES	11.89 [.468]	643067-3
2 CIRCUIT ASSEMBLIES	7.92 [.312]	643067-2
USE ON MTA 156 ASSEMBLIES AS LISTED	A	PART NO

DO NOT SCALE PRINT. UNLESS SPECIFIED DIMENSIONS IN mm [INCHES] TOLERANCES ON: 2 PLC DEC ± - 3 PLC DEC ± 0.13 [.005] ANGLES ± -	DR 5-21-91 T. BECK
MATERIAL NYLON, UL 94V-2 WHITE	CHK 5-21-91 R. SWING
FINISH -	APPD 5-22-91 G. MILLER
WEIGHT -	APPD 5-22-91 G. MILLER
	PRODUCT SPEC -
	APPLICATION SPEC -

AMP AMP Incorporated Harrisburg, PA 17105-3608	
NAME COVER, MOLDED, .095 MAX O.D. WIRE, MTA-156	
SIZE D	CAGE CODE 00779
DRAWING NO 643067	SHEET 1 OF 1
SCALE 10:1	

