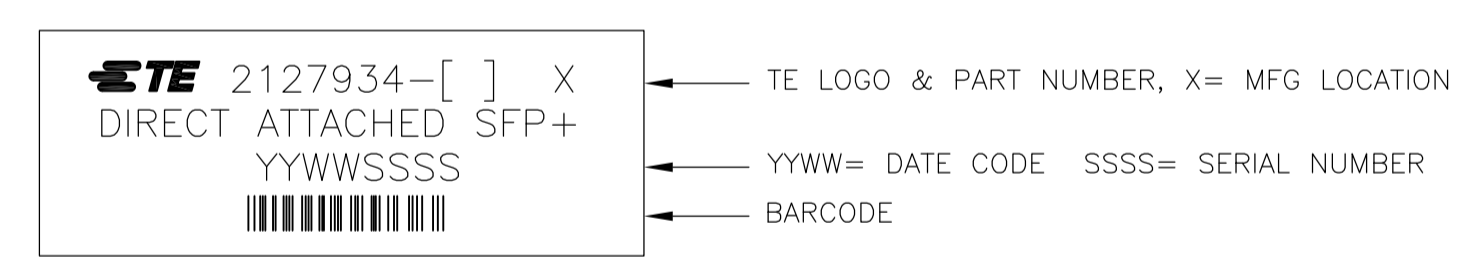
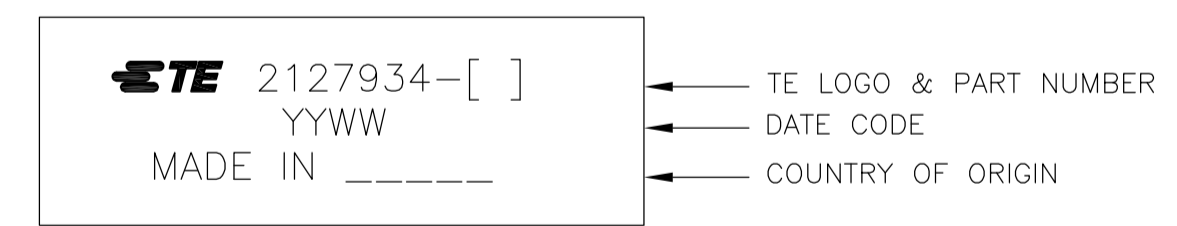


1. CHARACTERISTIC IMPEDANCE: 100±10 OHMS (MEASURED DIFFERENTIALLY).

△2 LABEL INFORMATION:



△3 LABEL INFORMATION:



4. SEE SHEET 2 FOR WIRING SCHEMATIC.

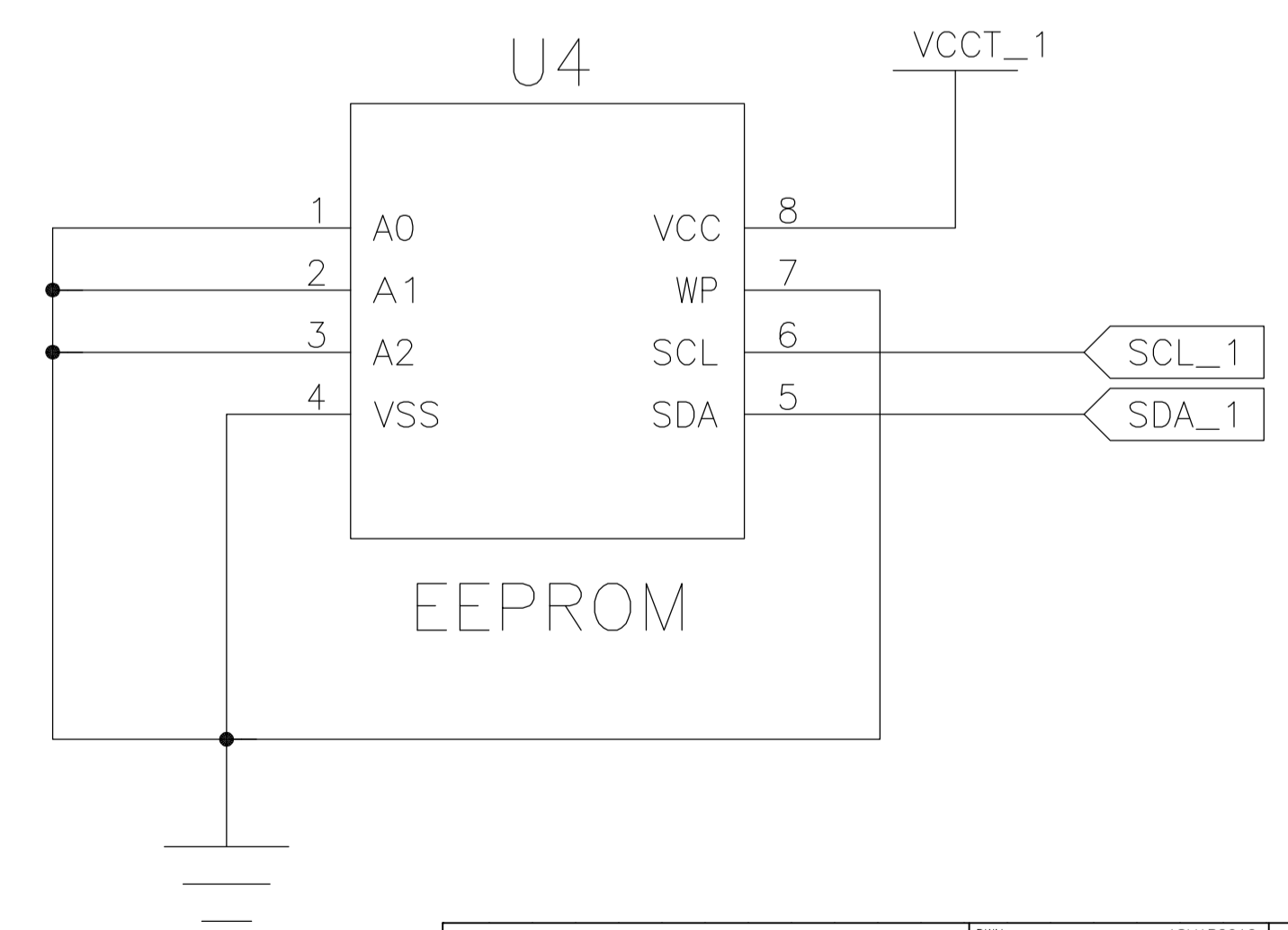
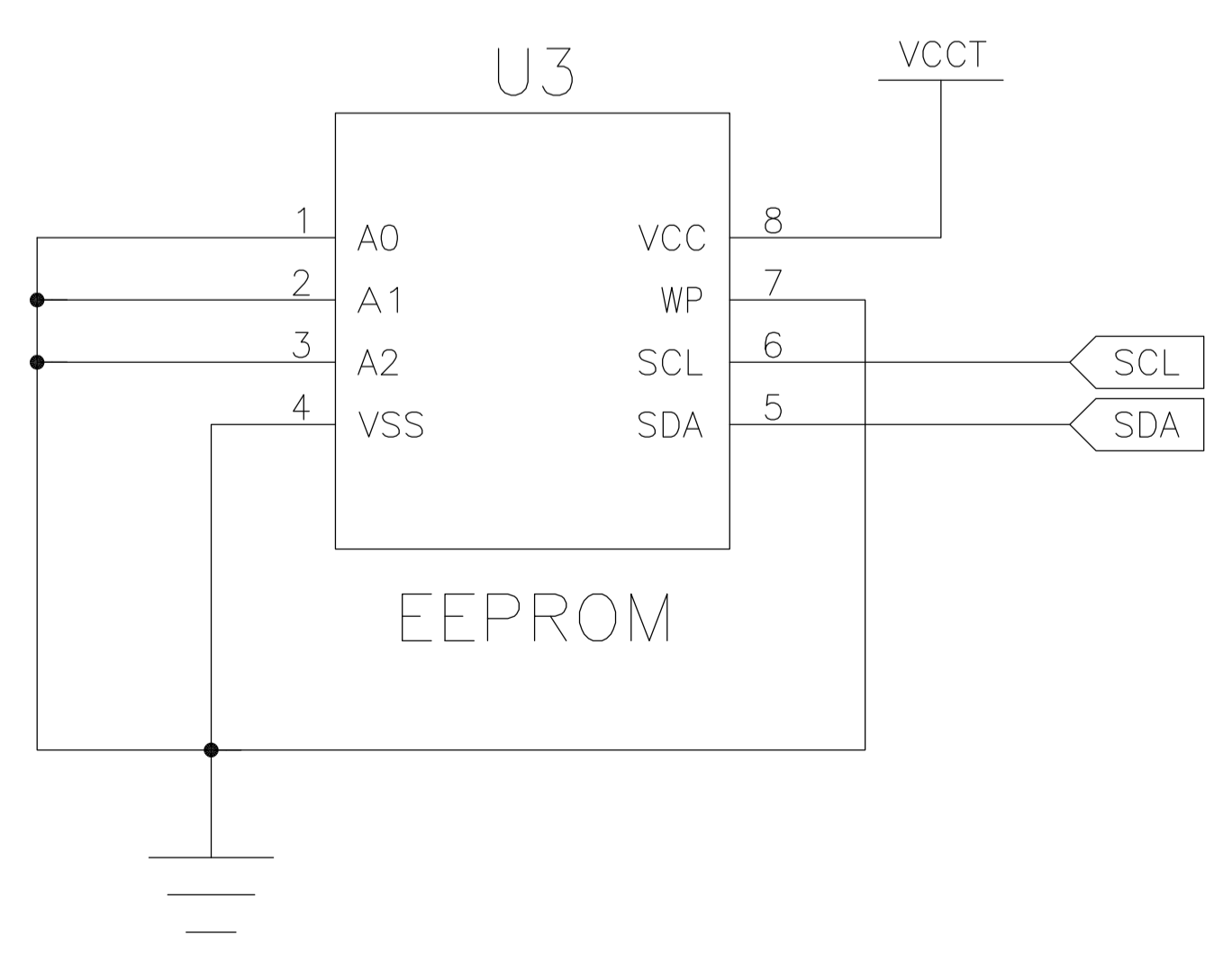
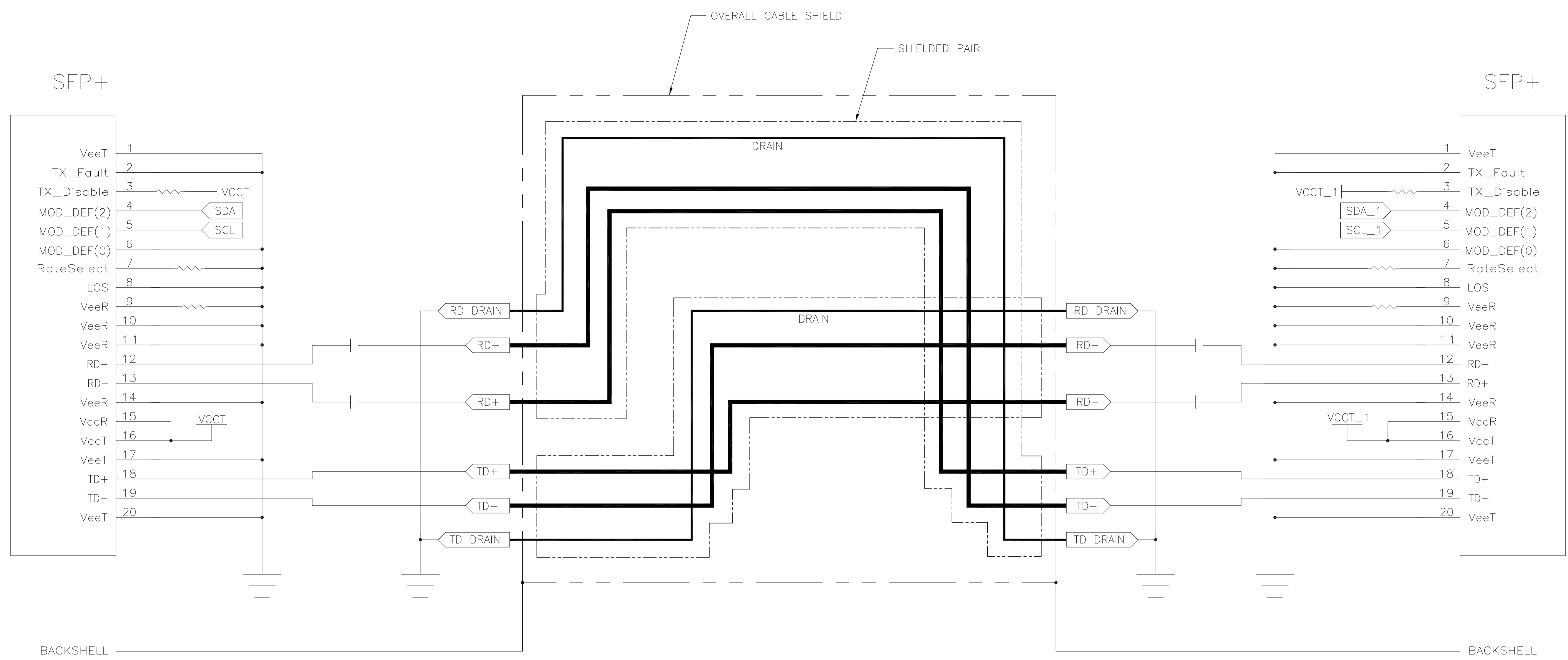
5. ROHS COMPLIANCE: PRODUCT AND PROCESSING MEETS REQUIREMENTS OF TE SPECIFICATION TEC-138-702.

10	+0.12 -0	METERS	1-2127934-1
9	+0.1 -0	METERS	1-2127934-0
8	+0.1 -0	METERS	2127934-9
7	+0.1 -0	METERS	2127934-8
6	+0.1 -0	METERS	2127934-7
5	+0.1 -0	METERS	2127934-6
4	+0.08 -0	METERS	2127934-5
3	+0.08 -0	METERS	2127934-4
2	+0.08 -0	METERS	2127934-3
1	+0.05 -0	METERS	2127934-2
0.5	+0.05 -0	METERS	2127934-1
L			PART NO

THIS DRAWING IS A CONTROLLED DOCUMENT.

DIMENSIONS:	TOLERANCES UNLESS OTHERWISE SPECIFIED:	DIN	T. SMITH	18MAR2010
mm	0 PLC ± -	CHK	C. ADAMS	18MAR2010
	1 PLC ± -	APVD	C. ADAMS	18MAR2010
	2 PLC ± -	PRODUCT SPEC		
	3 PLC ± -	APPLICATION SPEC		
	4 PLC ± -	SIZE	CAGE CODE	DRAWING NO
	ANGLES ± -	WEIGHT	A1	00779
MATERIAL	FINISH	CUSTOMER DRAWING	SCALE	1:1
			SHEET	1 OF 2
			REV	B

TE Connectivity
 NAME: CABLE ASSY, 24 AWG, SFP+ TO SFP+
 SIZE: A1 00779 C=2127934



THIS DRAWING IS A CONTROLLED DOCUMENT.		DWN T. SMITH 18MAR2010 CHK C. ADAMS 18MAR2010 APVD C. ADAMS 18MAR2010 PRODUCT SPEC	TE Connectivity	
DIMENSIONS: mm 	TOLERANCES UNLESS OTHERWISE SPECIFIED: 0. PLC ± - 1. PLC ± - 2. PLC ± - 3. PLC ± - 4. PLC ± - ANGLES ± -	NAME CABLE ASSY, 24 AWG, SFP+ TO SFP+ APPLICATION SPEC SIZE A1 WEIGHT SCALE 1:1	DRAWING NO 00779 DRAWING NO 2127934 SHEET 2 OF 2 REV B	RESTRICTED TO CUSTOMER DRAWING