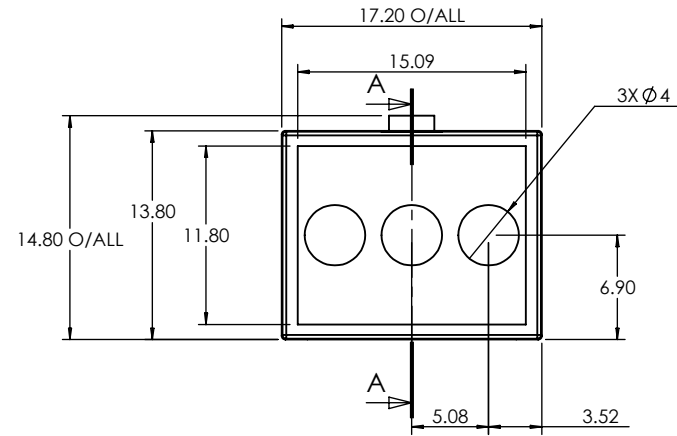
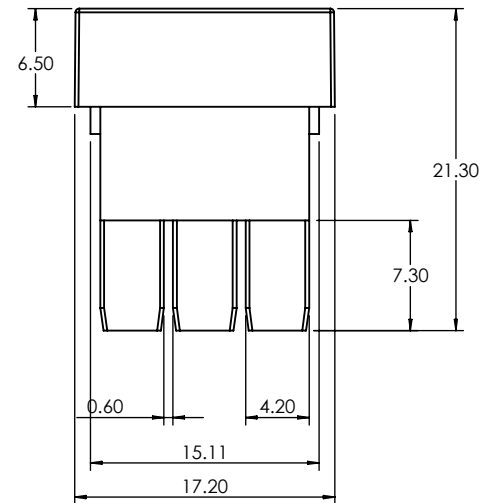
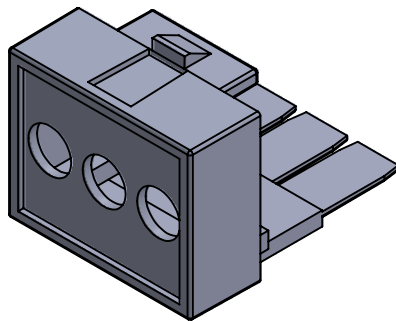


SECTION A-A



ISO VIEW
2:1



<p>JAMES CARTER RD, MILDENHALL, SUFFOLK. IP28 7DE TEL: 01638 716101 FAX: 01638 716554 EMAIL: Sales@CamdenBoss.com WEB: www.CamdenBoss.com</p>				UNLESS OTHERWISE SPECIFIED: DIMENSIONS ARE IN MILLIMETERS		DO NOT SCALE DRAWING		REVISION. ○	
				GENERAL TOLERANCES +/- 0.2		TITLE: DIMENSION DRAWING FOR CNMB-1-TG508P			
				FINISH. LIGHT SPARK		DWG NO. CNMB-1-TG508			
				MATERIAL. PC UL - 94 V0		SCALE: 2:1			
DRAWN IAN PAGANO		SIGNED I.P.	DATE 11/03/14	PROJECTION.				SHEET 1 OF 1	
CHKD -		-	-			A4			