

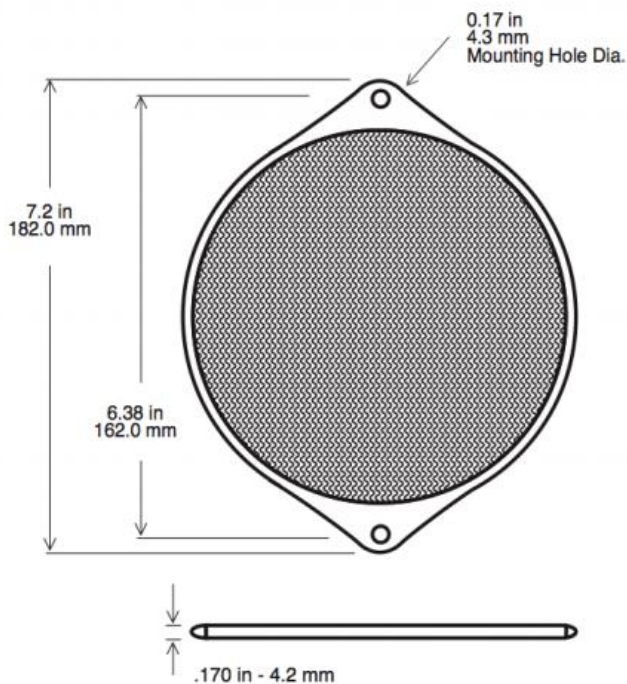
Datasheet

Fan Mounted Fan Filter for 172mm Fan, Aluminium, Stainless Steel

RS Stock number 737-4112



Dimensions: (mm)



Specifications

- Aluminium/Stainless filters offer high levels of air passage while efficiently filtering contaminants and shielding EMI/RFI
- Tightly woven stainless corrugated mesh screen
- (30x30, 3/16" Pitch, 1/8" Deep)
- Filters may be mounted directly onto the fan or to any other housing