

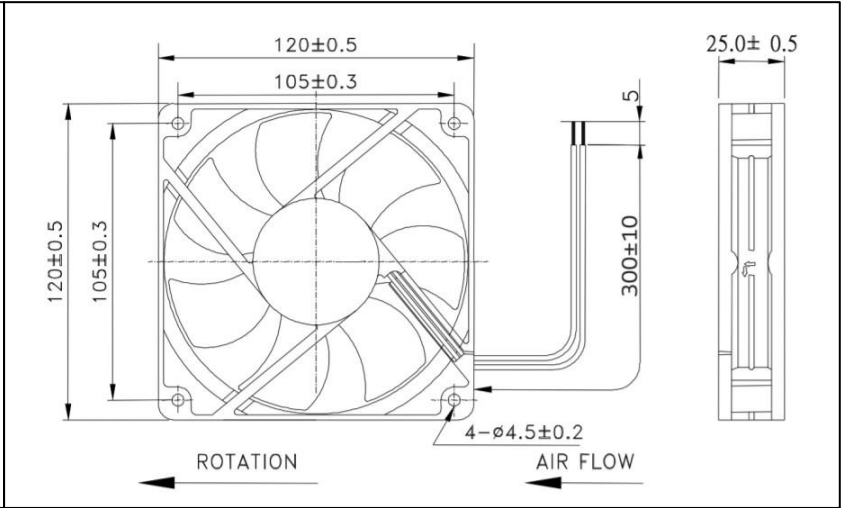


Datasheet

RS PRO DC FAN 120x25mm

Stock Number: 668-8858

EN



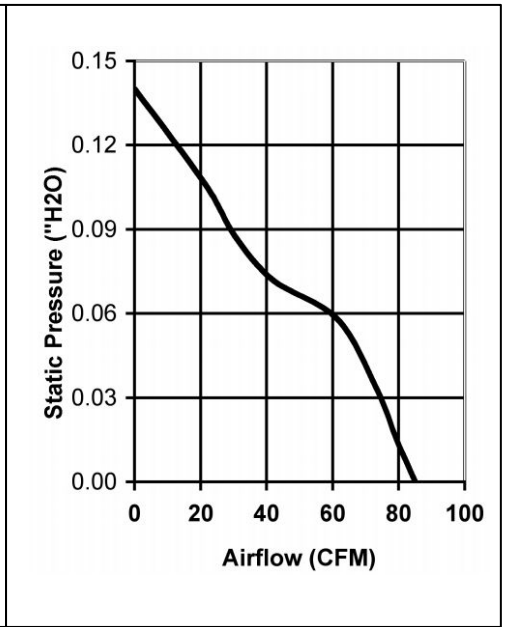
Frame	PBT UL94 V-0 Plastic
Impeller	PBT UL94 V-0 Plastic
Connection	2x Wire Leads, 24 AWG
Motor	Brushless DC, Auto Cutoff, Auto Restart, Polarity Protected
Bearing System	Sealed Sleeve
Dielectric Strength	500VAC/min < 1mA
Insulation Resistance	10M ohm between leadwire and frame (500VDC)

Operating Temperature
-10°C ~ +70°C

Storage Temperature
-40°C ~ +70°C

Life Expectancy
40,000 hours (L10 at 40°C)

Weight: 0.156Kgs (0.34 lbs)



Model Number	668-8858
Rated Voltage	24 VDC
Rated Power	5.8 W
Rated Current	0.24 A
Rated Speed (RPM)	2200
Airflow (CFM)	85
Noise Level (dB)	39
Max. Static Pressure	0.14" H ₂ O