

4

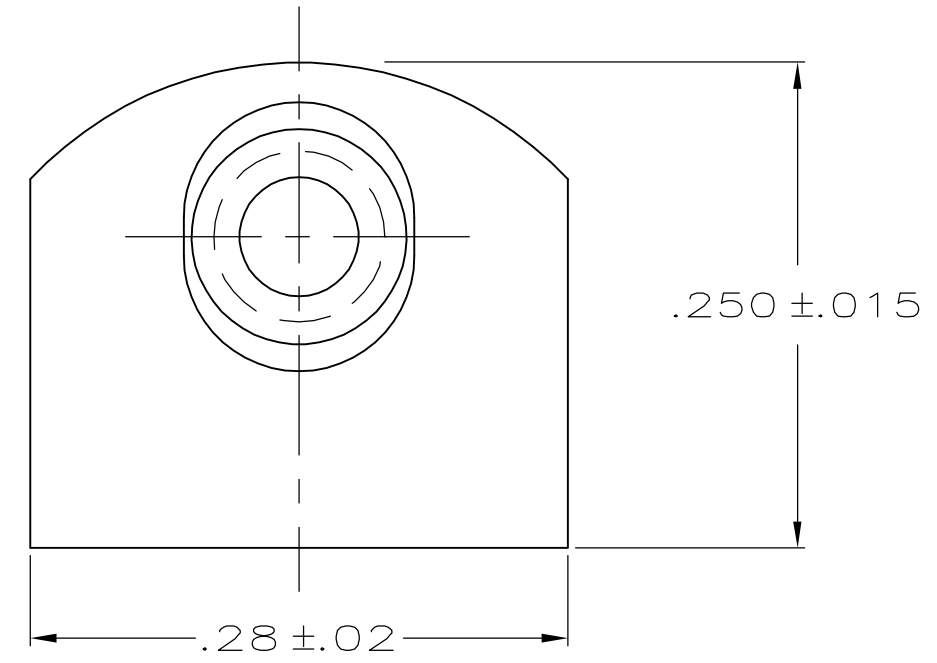
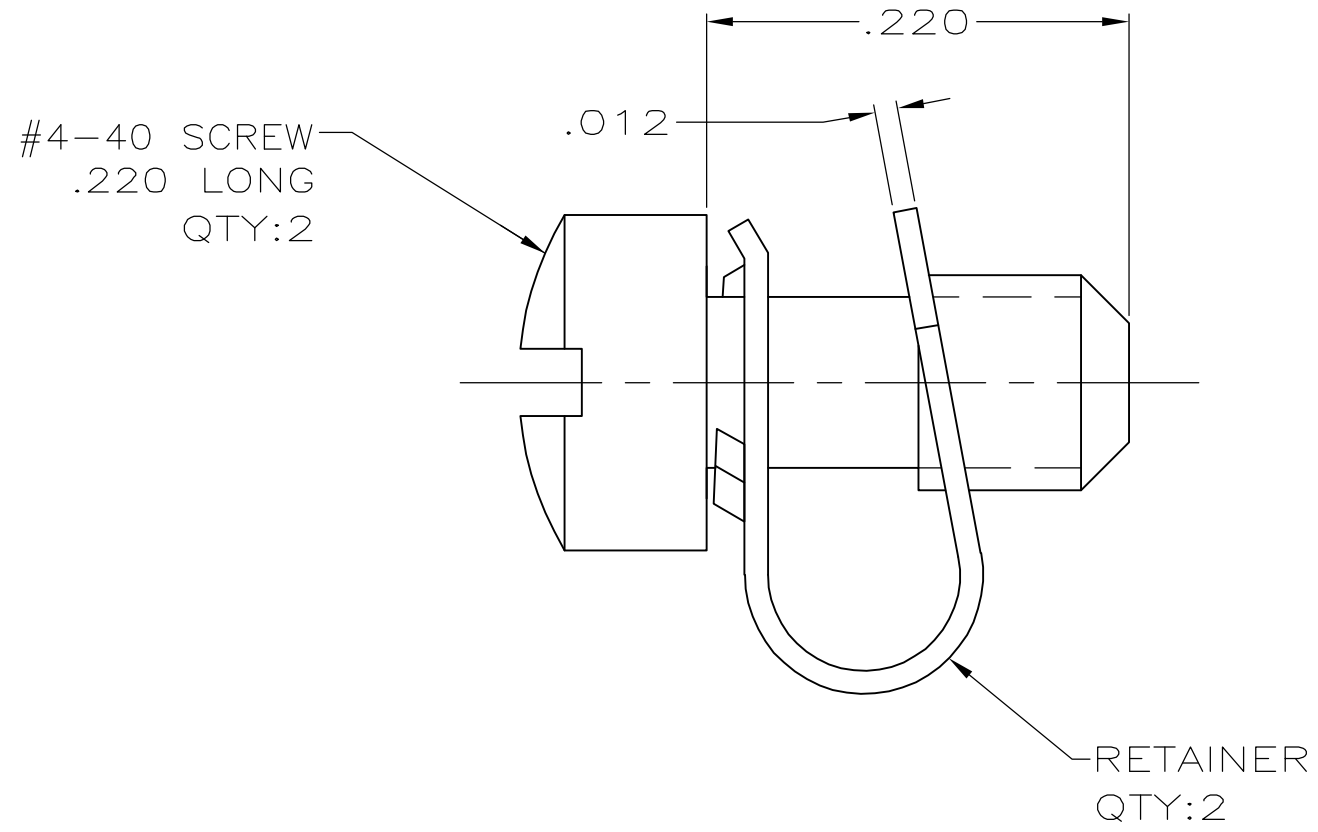
3

2

1

THIS DRAWING IS UNPUBLISHED. RELEASED FOR PUBLICATION
 © COPYRIGHT BY TYCO ELECTRONICS CORPORATION. ALL RIGHTS RESERVED.

LOC	DIST	REVISIONS			
P	LTR	DESCRIPTION	DATE	DWN	APVD
GP	00	0	RELEASED PER EC 0S13-0207-05	11JUL05	SW JG



- 1. PARTS PACKAGED UNASSEMBLED.
- ② ZINC PLATED .000200-.000400 THICK, YELLOW CHROMATE COATING.
- ③ STAINLESS STEEL.
- 4. PARTS PACKAGED AS A UNIT KIT.

5745647-1
 PART NUMBER

THIS DRAWING IS A CONTROLLED DOCUMENT.		DWN S.WAITMAN 11JUL05	Tyco Electronics Corporation Harrisburg, Pa 17105-3608		
DIMENSIONS: INCHES		CHK C.ROHDE 11JUL05			
TOLERANCES UNLESS OTHERWISE SPECIFIED:		APVD M.WALMSLEY 11JUL05	NAME KIT, SCREW RETAINER, AMPLIMITE HDE		
0 PLC ± - 1 PLC ± - 2 PLC ± - 3 PLC ± .010 4 PLC ± - ANGLES ± -		PRODUCT SPEC -	RESTRICTED TO -		
MATERIAL SCREWS: STEEL		APPLICATION SPEC -	SIZE A3	CAGE CODE 00779	DRAWING NO C-5745647
RETAINERS: ③		FINISH	WEIGHT -	SCALE 10:1 SHEET 1 OF 1 REV 0	
		SCREWS: ②	CUSTOMER DRAWING		