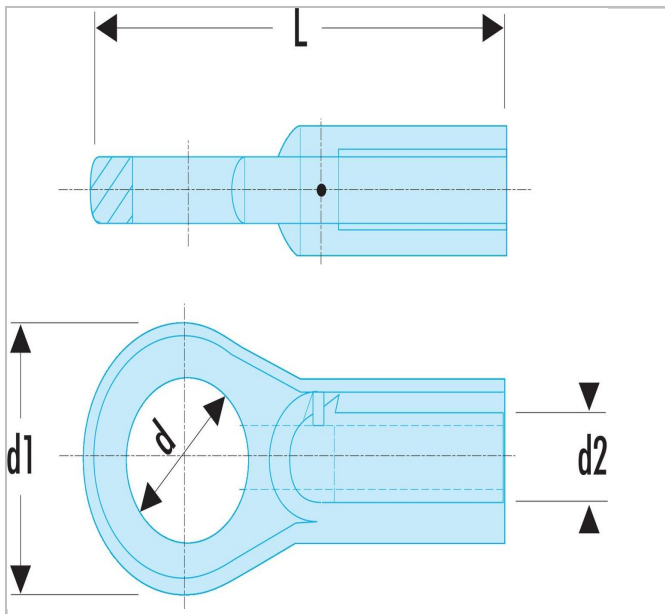



## 289.M - Nut splitter



### Description:

- For splitting a worn or jammed nut without damaging the screw thread.



	Diameter [mm]	Diameter D Mini - Maxi [mm]	Diameter D1 [mm]	Diameter D2 [mm]	Length L [mm]	Weight [g]
<b>289.M18</b>	32.0	16 - 22	45.0	13.0	128.0	350.0
<b>289.M22</b>	39.0	22 - 27	56.5	16.0	148.0	600.0
<b>289.M24</b>	46.0	27 - 36	67.0	17.0	170.0	950.0
<b>289.M8</b>	19.0	12 - 16	29.0	9.5	100.0	170.0