

# CES-SRG-BK-6 - Cable sleeve



0801628

<https://www.phoenixcontact.com/pc/products/0801628>

Please be informed that the data shown in this PDF document is generated from our online catalog. Please find the complete data in the user documentation. Our general terms of use for downloads are valid.



Cable sleeve, small, no. of conductors: 1, type: Round cable, slotted, external cable diameter: 1x 5 mm ... 6 mm, material: NBR, color: black, length: 29.5 mm, width: 19.5 mm, height: 17 mm

## Product description

Slotted cable sleeve

## Commercial data

|                                      |               |
|--------------------------------------|---------------|
| Item number                          | 0801628       |
| Packing unit                         | 10 pc         |
| Minimum order quantity               | 10 pc         |
| Product key                          | AF7CCX        |
| GTIN                                 | 4046356674652 |
| Weight per piece (including packing) | 8.82 g        |
| Weight per piece (excluding packing) | 8.73 g        |
| Customs tariff number                | 40169997      |
| Country of origin                    | TW            |

# CES-SRG-BK-6 - Cable sleeve

0801628

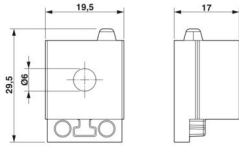
<https://www.phoenixcontact.com/pc/products/0801628>

## Technical data

### Product properties

|                   |   |
|-------------------|---|
| No. of conductors | 1 |
|-------------------|---|

### Dimensions

|                     |  |
|---------------------|--|
| Dimensional drawing |  |
| Width               | 19.5 mm  |
| Height              | 17 mm  |
| Length              | 29.5 mm  |

### Material specifications

|          |     |
|----------|-----|
| Material | NBR |
|----------|-----|

### Cable/line

|                         |                  |
|-------------------------|------------------|
| External cable diameter | 1x 5 mm ... 6 mm |
|-------------------------|------------------|

### Characteristics

|                    |             |
|--------------------|-------------|
| Seal size          | small       |
| Design, Format     | Round cable |
| Design, Cable seal | slotted     |

### Environmental and real-life conditions

#### Ambient conditions

|                                 |                            |
|---------------------------------|----------------------------|
| Degree of protection            | IP54                       |
| Ambient temperature (operation) | -40 °C ... 125 °C (static) |

# CES-SRG-BK-6 - Cable sleeve

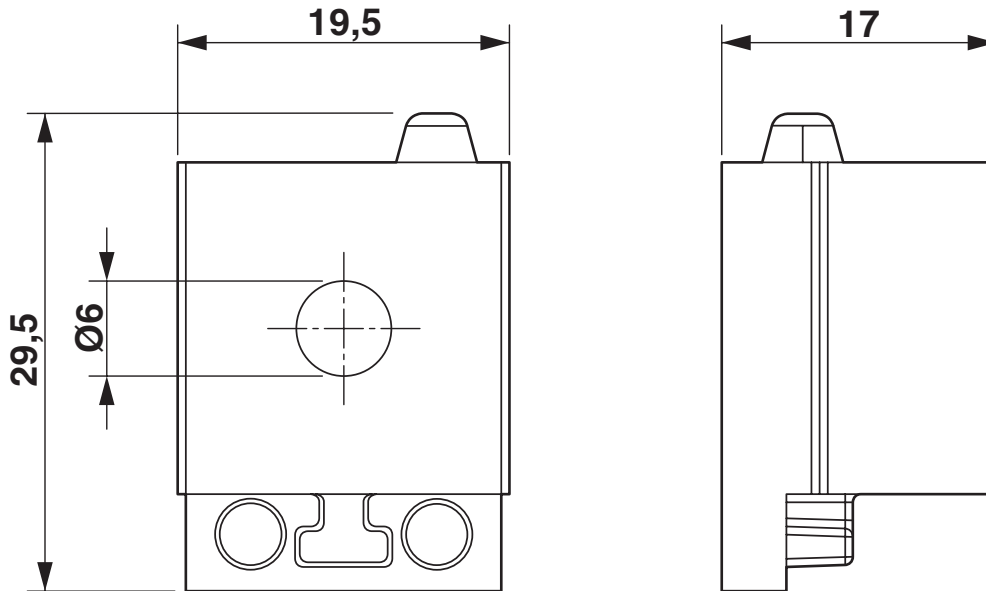
0801628

<https://www.phoenixcontact.com/pc/products/0801628>



## Drawings

Dimensional drawing



Dimensional drawing

# CES-SRG-BK-6 - Cable sleeve



0801628

<https://www.phoenixcontact.com/pc/products/0801628>

## Approvals

🔗 To download certificates, visit the product detail page: <https://www.phoenixcontact.com/pc/products/0801628>

**DNV**

Approval ID: TAE00003VJ

# CES-SRG-BK-6 - Cable sleeve



0801628

<https://www.phoenixcontact.com/pc/products/0801628>

## Classifications

### ECLASS

|             |          |
|-------------|----------|
| ECLASS-13.0 | 27144425 |
| ECLASS-15.0 | 27144425 |

### ETIM

|           |          |
|-----------|----------|
| ETIM 10.0 | EC000451 |
|-----------|----------|

### UNSPSC

|             |          |
|-------------|----------|
| UNSPSC 21.0 | 39121400 |
|-------------|----------|

# CES-SRG-BK-6 - Cable sleeve



0801628

<https://www.phoenixcontact.com/pc/products/0801628>

## Environmental product compliance

### EU RoHS

|   |                    |
|---|--------------------|
| Fulfills EU RoHS substance requirements | Yes, No exemptions |
|---|--------------------|

### China RoHS

|  |  |
|--|--|
| Environment friendly use period (EFUP) | EFUP-E                                   |
|  | No hazardous substances above the limits |

### EU REACH SVHC

|                                     |                            |
|-------------------------------------|----------------------------|
| REACH candidate substance (CAS No.) | No substance above 0.1 wt% |
|-------------------------------------|----------------------------|

# CES-SRG-BK-6 - Cable sleeve

0801628

<https://www.phoenixcontact.com/pc/products/0801628>



## Accessories

### KDT-ST 6 - Filler plug

3063950

<https://www.phoenixcontact.com/pc/products/3063950>



Filler plug, material: PA, length: 25 mm, diameter: 6 mm

---

### CES-B10-HFFS-PLBK - Sealing frame

0801663

<https://www.phoenixcontact.com/pc/products/0801663>



Sealing frame, With locking latch, design: B10, Number of cable seals (small): 6, material: PA (halogen-free), color: black, length: 99.2 mm, width: 58 mm, height: 20 mm

## CES-SRG-BK-6 - Cable sleeve

0801628

<https://www.phoenixcontact.com/pc/products/0801628>

## CES-B16-HFFS-PLBK - Sealing frame

0801662

<https://www.phoenixcontact.com/pc/products/0801662>



Sealing frame, With locking latch, design: B16, Number of cable seals (small): 8, material: PA (halogen-free), color: black, length: 120 mm, width: 58 mm, height: 20 mm

---

## CES-B24-HFFS-PLBK - Sealing frame

0801661

<https://www.phoenixcontact.com/pc/products/0801661>



Sealing frame, With locking latch, design: B24, Number of cable seals (small): 10, material: PA (halogen-free), color: black, length: 147 mm, width: 58 mm, height: 20 mm

## CES-SRG-BK-6 - Cable sleeve

0801628

<https://www.phoenixcontact.com/pc/products/0801628>



## CES-B10-SFFS-PLBK - Sealing frame

0801660

<https://www.phoenixcontact.com/pc/products/0801660>



Sealing frame, with screw locking, design: B10, Number of cable seals (small): 6, material: PA (halogen-free), color: black, length: 99.2 mm, width: 58 mm, height: 20 mm

---

## CES-B16-SFFS-PLBK - Sealing frame

0801659

<https://www.phoenixcontact.com/pc/products/0801659>



Sealing frame, with screw locking, design: B16, Number of cable seals (small): 8, material: PA (halogen-free), color: black, length: 120 mm, width: 58 mm, height: 20 mm

# CES-SRG-BK-6 - Cable sleeve

0801628

<https://www.phoenixcontact.com/pc/products/0801628>



## CES-B24-SFFS-PLBK - Sealing frame

0801658

<https://www.phoenixcontact.com/pc/products/0801658>



Sealing frame, with screw locking, design: B24, Number of cable seals (small): 10, material: PA (halogen-free), color: black, length: 147 mm, width: 58 mm, height: 20 mm

---

Phoenix Contact 2026 © - all rights reserved

<https://www.phoenixcontact.com>

PHOENIX CONTACT GmbH & Co. KG

Flachsmarktstraße 8

D-32825 Blomberg

+49 (0) 5235-3 00

[info@phoenixcontact.com](mailto:info@phoenixcontact.com)