



KSZ8041TL/FTL

10Base-T/100Base-TX/100Base-FX Physical Layer Transceiver

Data Sheet Rev. 1.1

General Description

The KSZ8041TL is a single supply 10Base-T/100Base-TX Physical Layer Transceiver, which provides MII/RMII/SMII interfaces to transmit and receive data. It utilizes a unique mixed-signal design to extend signaling distance while reducing power consumption.

HP Auto MDI/MDI-X provides the most robust solution for eliminating the need to differentiate between crossover and straight-through cables.

Micrel LinkMD[®] TDR-based cable diagnostics permit identification of faulty copper cabling.

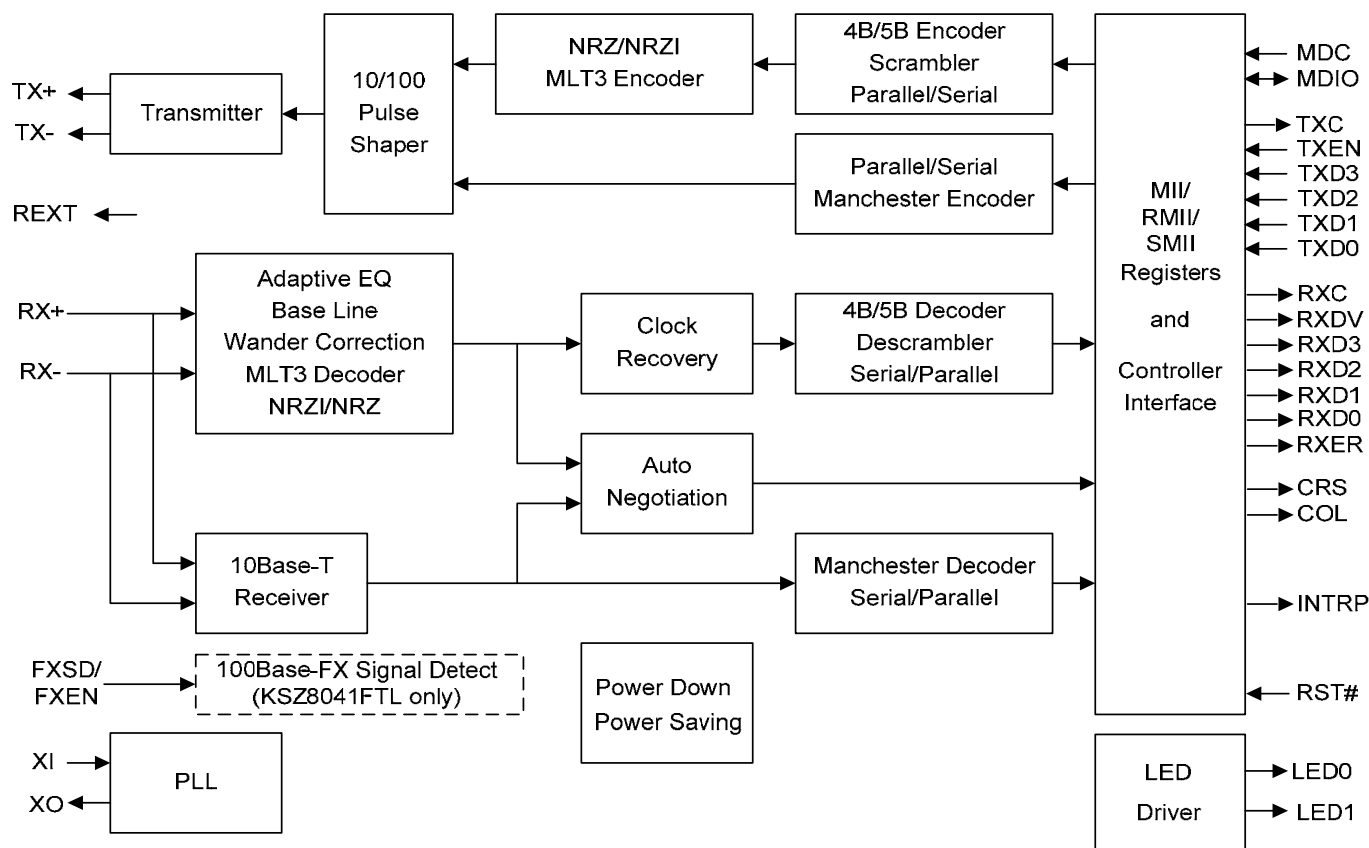
The KSZ8041TL represents a new level of features and performance and is an ideal choice of physical layer transceiver for 10Base-T/100Base-TX applications.

The KSZ8041FTL has all the identical rich features of the KSZ8041TL plus 100Base-FX support for fiber and media converter applications.

Both KSZ8041TL and KSZ8041FTL are available in 48-pin, lead-free TQFP packages (See Ordering Information).

Data sheets and support documentation can be found on Micrel's web site at: www.micrel.com.

Functional Diagram



LinkMD is a registered trademark of Micrel, Inc.

Micrel Inc. • 2180 Fortune Drive • San Jose, CA 95131 • USA • tel +1 (408) 944-0800 • fax + 1 (408) 474-1000 • <http://www.micrel.com>

Features

- Single-chip 10Base-T/100Base-TX physical layer solution
- Fully compliant to IEEE 802.3u Standard
- Low power CMOS design, power consumption of <180mW
- HP auto MDI/MDI-X for reliable detection and correction for straight-through and crossover cables with disable and enable option
- Robust operation over standard cables
- LinkMD[®] TDR-based cable diagnostics for identification of faulty copper cabling
- Fiber support: 100Base-FX (KSZ8041FTL only), Back-to-Back mode (KSZ8041FTL and KSZ8041TL)
- MII interface support
- RMI interface support with external 50MHz system clock
- SMII interface support with external 125MHz system clock and 12.5MHz sync clock from MAC
- MIIM (MDC/MDIO) management bus to 12.5MHz for rapid PHY register configuration
- Interrupt pin option
- Programmable LED outputs for link, activity and speed
- Power down and power saving modes
- Single power supply (3.3V)
- Built-in 1.8V regulator for core
- Available in 48-pin TQFP package

Applications

- Printer
- LOM
- Game Console
- IPTV
- IP Phone
- IP Set-top Box
- Media Converter

Ordering Information

Part Number	Temp. Range	Package	Lead Finish
KSZ8041TL	0°C to 70°C	48-Pin TQFP	Pb-Free
KSZ8041TLI ⁽¹⁾	-40°C to 85°C	48-Pin TQFP	Pb-Free
KSZ8041FTL	0°C to 70°C	48-Pin TQFP	Pb-Free
KSZ8041FTLI ⁽¹⁾	-40°C to 85°C	48-Pin TQFP	Pb-Free

Note:

1. Contact factory for lead time.

Revision History

Revision	Date	Summary of Changes
1.0	12/21/06	Data sheet created.
1.1	4/27/07	Added maximum MDC clock speed. Added 40K +/-30% to note 1 of Pin Description and Strapping Options tables for internal pull-ups/pull-downs. Changed Model Number in Register 3h – PHY Identifier 2. Changed polarity (swapped definition) of DUPLEX strapping pin. Removed DUPLEX strapping pin update to Register 4h – Auto-Negotiation Advertisement bits [8, 6]. Added Back-to-Back mode for KSZ8041TL. Added Symbol Error to MII/RMII Receive Error description and Register 15h – RXER Counter. Added a 100pF capacitor on REXT (pin 16) in Pin Description table.

Contents

Pin Configuration	8
Pin Description	10
Strapping Options	15
Functional Description	17
100Base-TX Transmit	17
100Base-TX Receive	17
PLL Clock Synthesizer	17
Scrambler/De-scrambler (100Base-TX only)	17
10Base-T Transmit	17
10Base-T Receive	18
SQE and Jabber Function (10Base-T only)	18
Auto-Negotiation	18
MII Management (MIIM) Interface	20
Interrupt (INTRP)	20
MII Data Interface	20
MII Signal Definition	21
Transmit Clock (TXC)	21
Transmit Enable (TXEN)	21
Transmit Data [3:0] (TXD[3:0])	21
Receive Clock (RXC)	21
Receive Data Valid (RXDV)	22
Receive Data [3:0] (RXD[3:0])	22
Receive Error (RXER)	22
Carrier Sense (CRS)	22
Collision (COL)	22
Reduced MII (RMII) Data Interface	22
RMII Signal Definition	23
Reference Clock (REF_CLK)	23
Transmit Enable (TX_EN)	23
Transmit Data [1:0] (TXD[1:0])	23
Carrier Sense/Receive Data Valid (CRS_DV)	23
Receive Data [1:0] (RXD[1:0])	23
Receive Error (RX_ER)	23
Collision Detection	24
Serial MII (SMII) Data Interface	24
SMII Signal Definition	24
Clock Reference (CLOCK)	24
Sync Pulse (SYNC)	24
Transmit Data and Control (TX)	24
Receive Data and Control (RX)	25
Collision Detection	26
HP Auto MDI/MDI-X	27
Straight Cable	27
Crossover Cable	28
LinkMD [®] Cable Diagnostics	29
Access	29
Usage	29

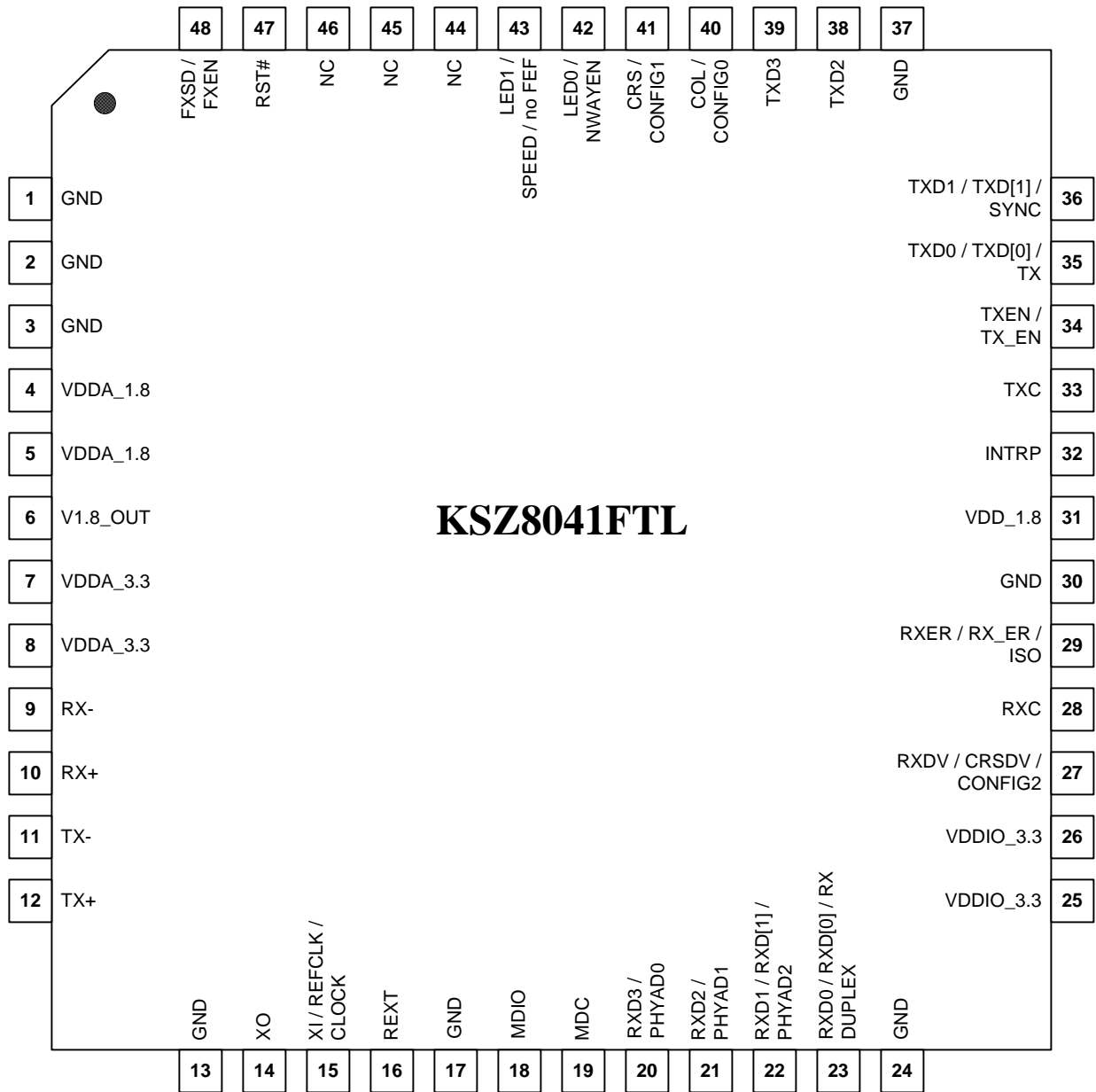
Power Management.....	29
Power Saving Mode	29
Power Down Mode	29
Reference Clock Connection Options	30
Reference Circuit for Power and Ground Connections	31
100Base-FX Fiber Operation (KSZ8041FTL only)	32
Fiber Signal Detect	32
Far-End Fault	32
Back-to-Back Media Converter.....	33
MII Back-to-Back Mode	33
RMII Back-to-Back Mode	34
Register Map	35
Register Description	35
Absolute Maximum Ratings ⁽¹⁾	43
Operating Ratings ⁽²⁾	43
Electrical Characteristics ⁽³⁾	43
Timing Diagrams	45
MII SQE Timing (10Base-T)	45
MII Transmit Timing (10Base-T).....	46
MII Receive Timing (10Base-T).....	47
MII Transmit Timing (100Base-TX)	48
MII Receive Timing (100Base-TX)	49
RMII Timing.....	50
Auto-Negotiation Timing	51
MDC/MDIO Timing	52
Reset Timing.....	53
Reset Circuit	54
Selection of Isolation Transformer	56
Selection of Reference Crystal	56
Package Information	57

List of Figures

Figure 1. Auto-Negotiation Flow Chart.....	19
Figure 2. SMIIT Transmit Data/Control Segment.....	25
Figure 3. SMIIT Receive Data/Control Segment.....	26
Figure 4. Typical Straight Cable Connection	27
Figure 5. Typical Crossover Cable Connection	28
Figure 6. 25MHz Crystal / Oscillator Reference Clock for MII Mode	30
Figure 7. 50MHz Oscillator Reference Clock for RMII Mode.....	30
Figure 8. 125MHz Oscillator Reference Clock for SMIIT Mode.....	30
Figure 9. KSZ8041TL/FTL Power and Ground Connections.....	31
Figure 10. KSZ8041FTL / KSZ8041TL Back-to-Back Media Converter.....	33
Figure 11. MII SQE Timing (10Base-T)	45
Figure 12. MII Transmit Timing (10Base-T).....	46
Figure 13. MII Receive Timing (10Base-T).....	47
Figure 14. MII Transmit Timing (100Base-TX).....	48
Figure 15. MII Receive Timing (100Base-TX).....	49
Figure 16. RMII Timing – Data Received from RMII.....	50
Figure 17. RMII Timing – Data Input to RMII	50
Figure 18. Auto-Negotiation Fast Link Pulse (FLP) Timing	51
Figure 19. MDC/MDIO Timing.....	52
Figure 20. Reset Timing.....	53
Figure 21. Recommended Reset Circuit.....	54
Figure 22. Recommended Reset Circuit for Interfacing with CPU/FPGA Reset Output	54
Figure 23. Reference Circuits for LED Strapping Pins.....	55

List of Tables

Table 1. MII Management Frame Format	20
Table 2. MII Signal Definition	21
Table 3. RMII Signal Description.....	23
Table 4. SMII Signal Description.....	24
Table 5. SMII TX Bit Description	25
Table 6. SMII TXD[0:7] Encoding Table	25
Table 7. SMII RX Bit Description.....	26
Table 8. SMII RXD[0:7] Encoding Table	26
Table 9. MDI/MDI-X Pin Definition	27
Table 10. KSZ8041TL/FTL Power Pin Description	31
Table 11. Copper and Fiber Mode Selection	32
Table 12. MII Signal Connection for MII Back-to-Back Mode	33
Table 13. RMII Signal Connection for RMII Back-to-Back Mode	34
Table 14. MII SQE Timing (10Base-T) Parameters	45
Table 15. MII Transmit Timing (10Base-T) Parameters	46
Table 16. MII Receive Timing (10Base-T) Parameters	47
Table 17. MII Transmit Timing (100Base-TX) Parameters	48
Table 18. MII Receive Timing (100Base-TX) Parameters	49
Table 19. RMII Timing Parameters	50
Table 20. Auto-Negotiation Fast Link Pulse (FLP) Timing Parameters	51
Table 21. MDC/MDIO Timing Parameters	52
Table 22. Reset Timing Parameters	53
Table 23. Transformer Selection Criteria	56
Table 24. Qualified Single Port Magnetics	56
Table 25. Typical Reference Crystal Characteristics	56



48-Pin TQFP

Pin Description

Pin Number	Pin Name	Type ⁽¹⁾	Pin Function
1	GND	Gnd	Ground
2	GND	Gnd	Ground
3	GND	Gnd	Ground
4	VDDA_1.8	P	1.8V analog V _{DD}
5	VDDA_1.8	P	1.8V analog V _{DD}
6	V1.8_OUT	P	1.8V output voltage from chip
7	VDDA_3.3	P	3.3V analog V _{DD}
8	VDDA_3.3	P	3.3V analog V _{DD}
9	RX-	I/O	Physical receive or transmit signal (- differential)
10	RX+	I/O	Physical receive or transmit signal (+ differential)
11	TX-	I/O	Physical transmit or receive signal (- differential)
12	TX+	I/O	Physical transmit or receive signal (+ differential)
13	GND	Gnd	Ground
14	XO	O	Crystal feedback This pin is used only in MII mode when a 25 MHz crystal is used. This pin is a no connect if oscillator or external clock source is used, or if RMII mode or SMII mode is selected.
15	XI / REFCLK / CLOCK	I	Crystal / Oscillator / External Clock Input MII Mode: 25MHz +/-50ppm (crystal, oscillator, or external clock) RMII Mode: 50MHz +/-50ppm (oscillator, or external clock only) SMII Mode: 125MHz +/-100ppm (oscillator, or external clock only)
16	REXT	I/O	Set physical transmit output current Connect a 6.49K Ω resistor in parallel with a 100pF capacitor to ground on this pin. See KSZ8041TL-FTL reference schematics.
17	GND	Gnd	Ground
18	MDIO	I/O	Management Interface (MII) Data I/O This pin requires an external 4.7K Ω pull-up resistor.
19	MDC	I	Management Interface (MII) Clock Input This pin is synchronous to the MDIO data interface.
20	RXD3 / PHYAD0	lpu/O	MII Mode: Receive Data Output[3] ⁽²⁾ / Config Mode: The pull-up/pull-down value is latched as PHYADDR[0] during power-up / reset. See "Strapping Options" section for details.
21	RXD2 / PHYAD1	lpd/O	MII Mode: Receive Data Output[2] ⁽²⁾ / Config Mode: The pull-up/pull-down value is latched as PHYADDR[1] during power-up / reset. See "Strapping Options" section for details.
22	RXD1 / RXD[1] / PHYAD2	lpd/O	MII Mode: Receive Data Output[1] ⁽²⁾ / RMII Mode: Receive Data Output[1] ⁽³⁾ / Config Mode: The pull-up/pull-down value is latched as PHYADDR[2] during power-up / reset. See "Strapping Options" section for details.

Pin Number	Pin Name	Type ⁽¹⁾	Pin Function
23	RXD0 / RXD[0] / RX DUPLEX	lpu/O	MII Mode: Receive Data Output[0] ⁽²⁾ / RMII Mode: Receive Data Output[0] ⁽³⁾ / SMII Mode: Receive Data and Control ⁽⁴⁾ / Config Mode: Latched as DUPLEX (register 0h, bit 8) during power-up / reset. See "Strapping Options" section for details.
24	GND	Gnd	Ground
25	VDDIO_3.3	P	3.3V digital V _{DD}
26	VDDIO_3.3	P	3.3V digital V _{DD}
27	RXDV / CRSDV / CONFIG2	lpd/O	MII Mode: Receive Data Valid Output / RMII Mode: Carrier Sense/Receive Data Valid Output / Config Mode: The pull-up/pull-down value is latched as CONFIG2 during power-up / reset. See "Strapping Options" section for details.
28	RXC	O	MII Mode: Receive Clock Output
29	RXER / RX_ER / ISO	lpd/O	MII Mode: Receive Error Output / RMII Mode: Receive Error Output / Config Mode: The pull-up/pull-down value is latched as ISOLATE during power-up / reset. See "Strapping Options" section for details.
30	GND	Gnd	Ground
31	VDD_1.8	P	1.8V digital V _{DD}
32	INTRP	Opu	Interrupt Output: Programmable Interrupt Output Register 1Bh is the Interrupt Control/Status Register for programming the interrupt conditions and reading the interrupt status. Register 1Fh bit 9 sets the interrupt output to active low (default) or active high.
33	TXC	I/O	MII Mode: Transmit Clock Output MII Back-to Back Mode: Transmit Clock Input
34	TXEN / TX_EN	I	MII Mode: Transmit Enable Input / RMII Mode: Transmit Enable Input
35	TXD0 / TXD[0] / TX	I	MII Mode: Transmit Data Input[0] ⁽⁵⁾ / RMII Mode: Transmit Data Input[0] ⁽⁶⁾ / SMII Mode: Transmit Data and Control ⁽⁷⁾
36	TXD1 / TXD[1] / SYNC	I	MII Mode: Transmit Data Input[1] ⁽⁵⁾ / RMII Mode: Transmit Data Input[1] ⁽⁶⁾ / SMII Mode: SYNC Clock Input
37	GND	Gnd	Ground
38	TXD2	I	MII Mode: Transmit Data Input[2] ⁽⁵⁾ /
39	TXD3	I	MII Mode: Transmit Data Input[3] ⁽⁵⁾ /
40	COL / CONFIG0	lpd/O	MII Mode: Collision Detect Output / Config Mode: The pull-up/pull-down value is latched as CONFIG0 during power-up / reset. See "Strapping Options" section for details.
41	CRS / CONFIG1	lpd/O	MII Mode: Carrier Sense Output / Config Mode: The pull-up/pull-down value is latched as CONFIG1 during power-up / reset. See "Strapping Options" section for details.

Pin Number	Pin Name	Type ⁽¹⁾	Pin Function																											
42 (KSZ8041TL)	LED0 / NWAYEN	Ipu/O	<p>LED Output: Programmable LED0 Output /</p> <p>Config Mode: Latched as Auto-Negotiation Enable (register 0h, bit 12) during power-up / reset. See "Strapping Options" section for details.</p> <p>The LED0 pin is programmable via register 1Eh bits [15:14], and is defined as follows.</p> <table border="1"> <thead> <tr> <th colspan="3">LED mode = [00]</th> </tr> <tr> <th>Link/Activity</th> <th>Pin State</th> <th>LED Definition</th> </tr> </thead> <tbody> <tr> <td>No Link</td> <td>H</td> <td>OFF</td> </tr> <tr> <td>Link</td> <td>L</td> <td>ON</td> </tr> <tr> <td>Activity</td> <td>Toggle</td> <td>Blinking</td> </tr> </tbody> </table> <table border="1"> <thead> <tr> <th colspan="3">LED mode = [01]</th> </tr> <tr> <th>Link</th> <th>Pin State</th> <th>LED Definition</th> </tr> </thead> <tbody> <tr> <td>No Link</td> <td>H</td> <td>OFF</td> </tr> <tr> <td>Link</td> <td>L</td> <td>ON</td> </tr> </tbody> </table> <p>LED mode = [10] Reserved</p> <p>LED mode = [11] Reserved</p>	LED mode = [00]			Link/Activity	Pin State	LED Definition	No Link	H	OFF	Link	L	ON	Activity	Toggle	Blinking	LED mode = [01]			Link	Pin State	LED Definition	No Link	H	OFF	Link	L	ON
LED mode = [00]																														
Link/Activity	Pin State	LED Definition																												
No Link	H	OFF																												
Link	L	ON																												
Activity	Toggle	Blinking																												
LED mode = [01]																														
Link	Pin State	LED Definition																												
No Link	H	OFF																												
Link	L	ON																												
42 (KSZ8041FTL)	LED0 / NWAYEN	Ipu/O	<p>LED Output: Programmable LED0 Output /</p> <p>Config Mode: If copper mode (FXEN=0), latched as Auto-Negotiation Enable (register 0h, bit 12) during power-up / reset. If fiber mode (FXEN=1), this pin configuration is always strapped to disable Auto-Negotiation. See "Strapping Options" section for details.</p> <p>The LED0 pin is programmable via register 1Eh bits [15:14], and is defined as follows.</p> <table border="1"> <thead> <tr> <th colspan="3">LED mode = [00]</th> </tr> <tr> <th>Link/Activity</th> <th>Pin State</th> <th>LED Definition</th> </tr> </thead> <tbody> <tr> <td>No Link</td> <td>H</td> <td>OFF</td> </tr> <tr> <td>Link</td> <td>L</td> <td>ON</td> </tr> <tr> <td>Activity</td> <td>Toggle</td> <td>Blinking</td> </tr> </tbody> </table> <table border="1"> <thead> <tr> <th colspan="3">LED mode = [01]</th> </tr> <tr> <th>Link</th> <th>Pin State</th> <th>LED Definition</th> </tr> </thead> <tbody> <tr> <td>No Link</td> <td>H</td> <td>OFF</td> </tr> <tr> <td>Link</td> <td>L</td> <td>ON</td> </tr> </tbody> </table> <p>LED mode = [10] Reserved</p> <p>LED mode = [11] Reserved</p>	LED mode = [00]			Link/Activity	Pin State	LED Definition	No Link	H	OFF	Link	L	ON	Activity	Toggle	Blinking	LED mode = [01]			Link	Pin State	LED Definition	No Link	H	OFF	Link	L	ON
LED mode = [00]																														
Link/Activity	Pin State	LED Definition																												
No Link	H	OFF																												
Link	L	ON																												
Activity	Toggle	Blinking																												
LED mode = [01]																														
Link	Pin State	LED Definition																												
No Link	H	OFF																												
Link	L	ON																												

Pin Number	Pin Name	Type ⁽¹⁾	Pin Function																								
43 (KSZ8041TL)	LED1 / SPEED	Ipu/O	<p>LED Output: Programmable LED1 Output /</p> <p>Config Mode: Latched as SPEED (register 0h, bit 13) during power-up / reset. See "Strapping Options" section for details.</p> <p>The LED1 pin is programmable via register 1Eh bits [15:14], and is defined as follows.</p> <table border="1"> <thead> <tr> <th colspan="3">LED mode = [00]</th> </tr> <tr> <th>Speed</th> <th>Pin State</th> <th>LED Definition</th> </tr> </thead> <tbody> <tr> <td>10BT</td> <td>H</td> <td>OFF</td> </tr> <tr> <td>100BT</td> <td>L</td> <td>ON</td> </tr> </tbody> </table> <table border="1"> <thead> <tr> <th colspan="3">LED mode = [01]</th> </tr> <tr> <th>Activity</th> <th>Pin State</th> <th>LED Definition</th> </tr> </thead> <tbody> <tr> <td>No Activity</td> <td>H</td> <td>OFF</td> </tr> <tr> <td>Activity</td> <td>Toggle</td> <td>Blinking</td> </tr> </tbody> </table> <p>LED mode = [10] Reserved</p> <p>LED mode = [11] Reserved</p>	LED mode = [00]			Speed	Pin State	LED Definition	10BT	H	OFF	100BT	L	ON	LED mode = [01]			Activity	Pin State	LED Definition	No Activity	H	OFF	Activity	Toggle	Blinking
LED mode = [00]																											
Speed	Pin State	LED Definition																									
10BT	H	OFF																									
100BT	L	ON																									
LED mode = [01]																											
Activity	Pin State	LED Definition																									
No Activity	H	OFF																									
Activity	Toggle	Blinking																									
43 (KSZ8041FTL)	LED1 / SPEED / no FEF	Ipu/O	<p>LED Output: Programmable LED1 Output /</p> <p>Config Mode: If copper mode (FXEN=0), latched as SPEED (register 0h, bit 13) during power-up / reset. If fiber mode (FXEN=1), latched as no FEF (no Far-End Fault) during power-up / reset. See "Strapping Options" section for details.</p> <p>The LED1 pin is programmable via register 1Eh bits [15:14], and is defined as follows.</p> <table border="1"> <thead> <tr> <th colspan="3">LED mode = [00]</th> </tr> <tr> <th>Speed</th> <th>Pin State</th> <th>LED Definition</th> </tr> </thead> <tbody> <tr> <td>10BT</td> <td>H</td> <td>OFF</td> </tr> <tr> <td>100BT</td> <td>L</td> <td>ON</td> </tr> </tbody> </table> <table border="1"> <thead> <tr> <th colspan="3">LED mode = [01]</th> </tr> <tr> <th>Activity</th> <th>Pin State</th> <th>LED Definition</th> </tr> </thead> <tbody> <tr> <td>No Activity</td> <td>H</td> <td>OFF</td> </tr> <tr> <td>Activity</td> <td>Toggle</td> <td>Blinking</td> </tr> </tbody> </table> <p>LED mode = [10] Reserved</p> <p>LED mode = [11] Reserved</p>	LED mode = [00]			Speed	Pin State	LED Definition	10BT	H	OFF	100BT	L	ON	LED mode = [01]			Activity	Pin State	LED Definition	No Activity	H	OFF	Activity	Toggle	Blinking
LED mode = [00]																											
Speed	Pin State	LED Definition																									
10BT	H	OFF																									
100BT	L	ON																									
LED mode = [01]																											
Activity	Pin State	LED Definition																									
No Activity	H	OFF																									
Activity	Toggle	Blinking																									
44	NC	-	No connect																								
45	NC	-	No connect																								
46	NC	-	No connect																								

Pin Number	Pin Name	Type ⁽¹⁾	Pin Function
47	RST#	I	Chip Reset (active low)
48 (KSZ8041TL)	NC	-	No connect
48 (KSZ8041FTL)	FXSD / FXEN	lpd	FXSD: Signal Detect for 100Base-FX fiber mode FXEN: Fiber Enable for 100Base-FX fiber mode If FXEN=0, fiber mode is disabled. PHY is in copper mode. The default is "0". See "100Base-FX Operation" section for details.

Notes:

- P = Power supply.
Gnd = Ground.
I = Input.
O = Output.
I/O = Bi-directional.
lpd = Input with internal pull-down (40K +/-30%).
lpu = Input with internal pull-up (40K +/-30%).
Opu = Output with internal pull-up (40K +/-30%).
lpu/O = Input with internal pull-up (40K +/-30%) during power-up/reset; output pin otherwise.
lpd/O = Input with internal pull-down (40K +/-30%) during power-up/reset; output pin otherwise.
- MII Rx Mode: The RXD[3..0] bits are synchronous with RXCLK. When RXDV is asserted, RXD[3..0] presents valid data to MAC through the MII. RXD[3..0] is invalid when RXDV is de-asserted.
- RMII Rx Mode: The RXD[1:0] bits are synchronous with REF_CLK. For each clock period in which CRS_DV is asserted, two bits of recovered data are sent from the PHY.
- SMII Rx Mode: Receive data and control information are sent in 10 bit segments. In 100MBit mode, each segment represents a new byte of data. In 10MBit mode, each segment is repeated ten times; therefore, every ten segments represent a new byte of data. The MAC can sample any one of every 10 segments in 10MBit mode.
- MII Tx Mode: The TXD[3..0] bits are synchronous with TXCLK. When TXEN is asserted, TXD[3..0] presents valid data from the MAC through the MII. TXD[3..0] has no effect when TXEN is de-asserted.
- RMII Tx Mode: The TXD[1:0] bits are synchronous with REF_CLK. For each clock period in which TX_EN is asserted, two bits of data are received by the PHY from the MAC.
- SMII Tx Mode: Transmit data and control information are received in 10 bit segments. In 100MBit mode, each segment represents a new byte of data. In 10MBit mode, each segment is repeated ten times; therefore, every ten segments represent a new byte of data. The PHY can sample any one of every 10 segments in 10MBit mode.

Strapping Options

Pin Number	Pin Name	Type ⁽¹⁾	Pin Function																		
22 21 20	PHYAD2 PHYAD1 PHYAD0	lpd/O lpd/O lpu/O	The PHY Address is latched at power-up / reset and is configurable to any value from 1 to 7. The default PHY Address is 00001. PHY Address bits [4:3] are always set to '00'.																		
27 41 40	CONFIG2 CONFIG1 CONFIG0	lpd/O lpd/O lpd/O	The CONFIG[2:0] strap-in pins are latched at power-up / reset and are defined as follows: <table border="1" data-bbox="594 548 1206 903"> <thead> <tr> <th>CONFIG[2:0]</th> <th>Mode</th> </tr> </thead> <tbody> <tr> <td>000</td> <td>MII (default)</td> </tr> <tr> <td>001</td> <td>RMII</td> </tr> <tr> <td>010</td> <td>SMII</td> </tr> <tr> <td>011</td> <td>Reserved – not used</td> </tr> <tr> <td>100</td> <td>PCS Loopback</td> </tr> <tr> <td>101</td> <td>RMII back-to-back</td> </tr> <tr> <td>110</td> <td>MII back-to-back</td> </tr> <tr> <td>111</td> <td>Reserved – not used</td> </tr> </tbody> </table>	CONFIG[2:0]	Mode	000	MII (default)	001	RMII	010	SMII	011	Reserved – not used	100	PCS Loopback	101	RMII back-to-back	110	MII back-to-back	111	Reserved – not used
CONFIG[2:0]	Mode																				
000	MII (default)																				
001	RMII																				
010	SMII																				
011	Reserved – not used																				
100	PCS Loopback																				
101	RMII back-to-back																				
110	MII back-to-back																				
111	Reserved – not used																				
29	ISO	lpd/O	ISOLATE mode Pull-up = Enable Pull-down (default) = Disable During power-up / reset, this pin value is latched into register 0h bit 10.																		
43 (KSZ8041TL)	SPEED	lpu/O	SPEED mode Pull-up (default) = 100Mbps Pull-down = 10Mbps During power-up / reset, this pin value is latched into register 0h bit 13 as the Speed Select, and also is latched into register 4h (Auto-Negotiation Advertisement) as the Speed capability support.																		
43 (KSZ8041FTL)	SPEED / no FEF	lpu/O	If copper mode (FXEN=0), pin strap-in is SPEED mode. Pull-up (default) = 100Mbps Pull-down = 10Mbps During power-up / reset, this pin value is latched into register 0h bit 13 as the Speed Select, and also is latched into register 4h (Auto-Negotiation Advertisement) as the Speed capability support. <hr/> If fiber mode (FXEN=1), pin strap-in is no FEF. Pull-up (default) = Enable Far-End Fault Pull-down = Disable Far-End Fault This pin value is latched during power-up / reset.																		

Pin Number	Pin Name	Type ⁽¹⁾	Pin Function
23	DUPLEX	Ipu/O	DUPLEX mode Pull-up (default) = Half Duplex Pull-down = Full Duplex During power-up / reset, this pin value is latched into register 0h bit 8 as the Duplex Mode.
42 (KSZ8041TL)	NWAYEN	Ipu/O	Nway Auto-Negotiation Enable Pull-up (default) = Enable Auto-Negotiation Pull-down = Disable Auto-Negotiation During power-up / reset, this pin value is latched into register 0h bit 12.
42 (KSZ8041FTL)	NWAYEN	Ipu/O	If copper mode (FXEN=0), pin strap-in is Nway Auto-Negotiation Enable. Pull-up (default) = Enable Auto-Negotiation Pull-down = Disable Auto-Negotiation During power-up / reset, this pin value is latched into register 0h bit 12. <hr/> If fiber mode (FXEN=1), this pin configuration is always strapped to disable Auto-Negotiation.

Note:

1. Ipu/O = Input with internal pull-up (40K +/-30%) during power-up/reset; output pin otherwise.
 Ipd/O = Input with internal pull-down (40K +/-30%) during power-up/reset; output pin otherwise.

Pin strap-ins are latched during power-up or reset. In some systems, the MAC receive input pins may drive high during power-up or reset, and consequently cause the PHY strap-in pins on the MII/RMII/SMII signals to be latched high. In this case, it is recommended to add 1K pull-downs on these PHY strap-in pins to ensure the PHY does not strap-in to ISOLATE or PCS Loopback mode, or is not configured with an incorrect PHY Address.

Functional Description

The KSZ8041TL is a single 3.3V supply Fast Ethernet transceiver. It is fully compliant with the IEEE 802.3u Specification. On the media side, the KSZ8041TL supports 10Base-T and 100Base-TX with HP auto MDI/MDI-X for reliable detection of and correction for straight-through and crossover cables.

The KSZ8041TL offers a choice of MII, RMII, or SMII data interface connection to a MAC processor. The MII management bus option gives the MAC processor complete access to the KSZ8041TL control and status registers. Additionally, an interrupt pin eliminates the need for the processor to poll for PHY status change.

Physical signal transmission and reception are enhanced through the use of patented analog circuitries that make the design more efficient and allow for lower power consumption and smaller chip die size.

The KSZ8041FTL has all the identical rich features of the KSZ8041TL plus 100Base-FX fiber support.

100Base-TX Transmit

The 100Base-TX transmit function performs parallel-to-serial conversion, 4B/5B coding, scrambling, NRZ-to-NRZI conversion, and MLT3 encoding and transmission.

The circuitry starts with a parallel-to-serial conversion, which converts the MII data from the MAC into a 125MHz serial bit stream. The data and control stream is then converted into 4B/5B coding, followed by a scrambler. The serialized data is further converted from NRZ-to-NRZI format, and then transmitted in MLT3 current output.

The output current is set by an external 6.49 K Ω 1% resistor for the 1:1 transformer ratio. It has typical rise/fall times of 4 ns and complies with the ANSI TP-PMD standard regarding amplitude balance, overshoot and timing jitter. The wave-shaped 10Base-T output drivers are also incorporated into the 100Base-TX drivers.

100Base-TX Receive

The 100Base-TX receiver function performs adaptive equalization, DC restoration, MLT3-to-NRZI conversion, data and clock recovery, NRZI-to-NRZ conversion, de-scrambling, 4B/5B decoding, and serial-to-parallel conversion.

The receiving side starts with the equalization filter to compensate for inter-symbol interference (ISI) over the twisted pair cable. Since the amplitude loss and phase distortion is a function of the cable length, the equalizer must adjust its characteristics to optimize performance. In this design, the variable equalizer makes an initial estimation based upon comparisons of incoming signal strength against some known cable characteristics, and then tunes itself for optimization. This is an ongoing process and self-adjusts against environmental changes such as temperature variations.

Next, the equalized signal goes through a DC restoration and data conversion block. The DC restoration circuit is used to compensate for the effect of baseline wander and to improve the dynamic range. The differential data conversion circuit converts the MLT3 format back to NRZI. The slicing threshold is also adaptive.

The clock recovery circuit extracts the 125MHz clock from the edges of the NRZI signal. This recovered clock is then used to convert the NRZI signal into the NRZ format. This signal is sent through the de-scrambler followed by the 4B/5B decoder. Finally, the NRZ serial data is converted to the MII format and provided as the input data to the MAC.

PLL Clock Synthesizer

The KSZ8041TL/FTL generates 125 MHz, 25 MHz and 20 MHz clocks for system timing. Internal clocks are generated from an external 25 MHz crystal or oscillator. In RMII mode, these internal clocks are generated from an external 50 MHz oscillator or system clock.

Scrambler/De-scrambler (100Base-TX only)

The purpose of the scrambler is to spread the power spectrum of the signal in order to reduce EMI and baseline wander.

10Base-T Transmit

The 10Base-T drivers are incorporated with the 100Base-TX drivers to allow for transmission using the same magnetic. The drivers also perform internal wave-shaping and pre-emphasize, and output 10Base-T signals with a typical amplitude of 2.5V peak. The 10Base-T signals have harmonic contents that are at least 27dB below the fundamental frequency when driven by an all-ones Manchester-encoded signal.

10Base-T Receive

On the receive side, input buffer and level detecting squelch circuits are employed. A differential input receiver circuit and a PLL performs the decoding function. The Manchester-encoded data stream is separated into clock signal and NRZ data. A squelch circuit rejects signals with levels less than 400 mV or with short pulse widths to prevent noise at the RX+ and RX- inputs from falsely trigger the decoder. When the input exceeds the squelch limit, the PLL locks onto the incoming signal and the KSZ8041TL/FTL decodes a data frame. The receive clock is kept active during idle periods in between data reception.

SQE and Jabber Function (10Base-T only)

In 10Base-T operation, a short pulse is put out on the COL pin after each frame is transmitted. This SQE Test is required as a test of the 10Base-T transmit/receive path. If transmit enable (TXEN) is high for more than 20 ms (jabbering), the 10Base-T transmitter is disabled and COL is asserted high. If TXEN is then driven low for more than 250 ms, the 10Base-T transmitter is re-enabled and COL is de-asserted (returns to low).

Auto-Negotiation

The KSZ8041TL/FTL conforms to the auto-negotiation protocol, defined in Clause 28 of the IEEE 802.3u specification. Auto-negotiation is enabled by either hardware pin strapping (pin 30) or software (register 0h bit 12).

Auto-negotiation allows unshielded twisted pair (UTP) link partners to select the highest common mode of operation. Link partners advertise their capabilities to each other, and then compare their own capabilities with those they received from their link partners. The highest speed and duplex setting that is common to the two link partners is selected as the mode of operation.

The following list shows the speed and duplex operation mode from highest to lowest.

- Priority 1: 100Base-TX, full-duplex
- Priority 2: 100Base-TX, half-duplex
- Priority 3: 10Base-T, full-duplex
- Priority 4: 10Base-T, half-duplex

If auto-negotiation is not supported or the KSZ8041TL/FTL link partner is forced to bypass auto-negotiation, the KSZ8041TL/FTL sets its operating mode by observing the signal at its receiver. This is known as parallel detection, and allows the KSZ8041TL/FTL to establish link by listening for a fixed signal protocol in the absence of auto-negotiation advertisement protocol.

The auto-negotiation link up process is shown in the following flow chart.

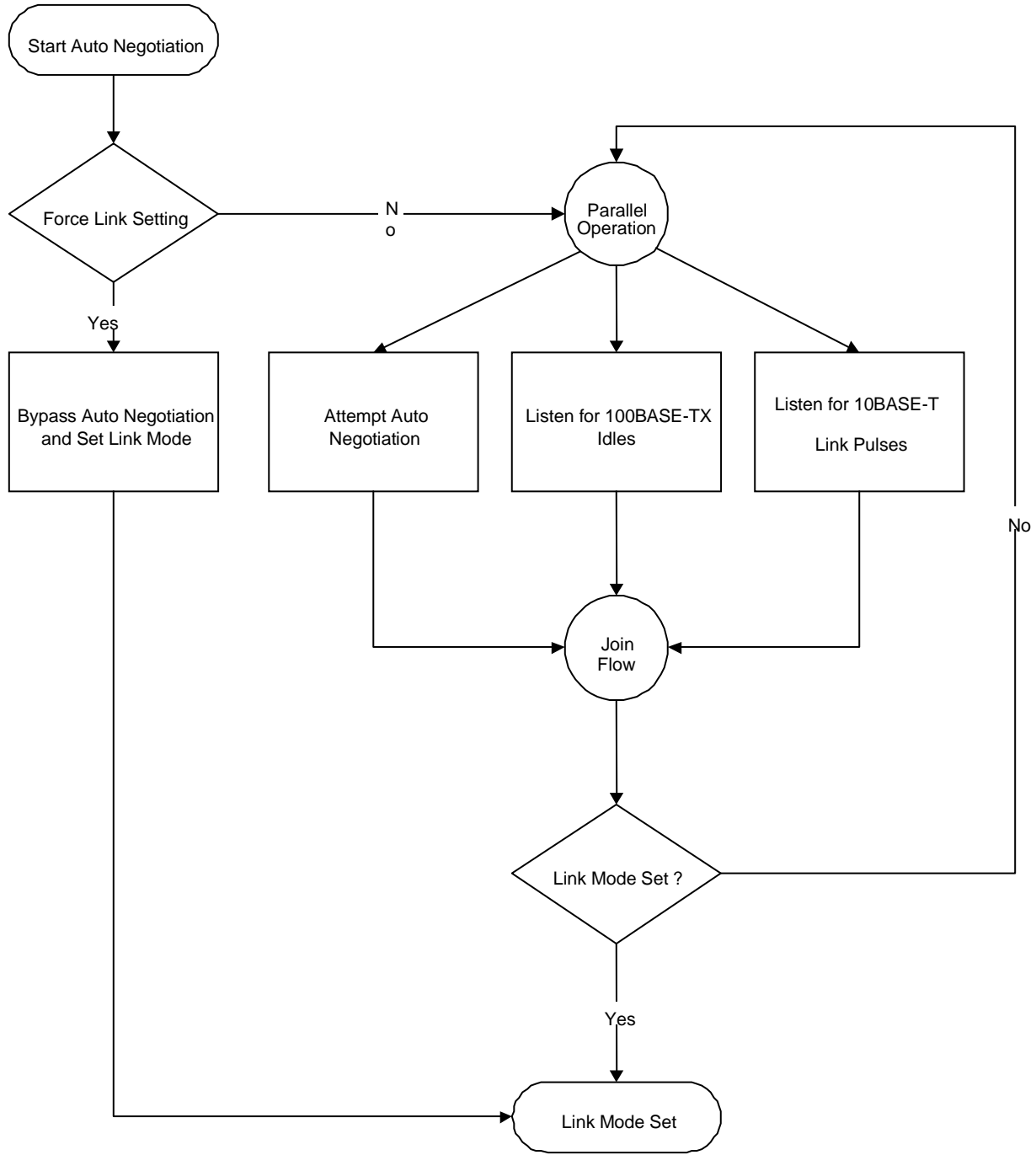


Figure 1. Auto-Negotiation Flow Chart

MII Management (MIIM) Interface

The KSZ8041TL/FTL supports the IEEE 802.3 MII Management Interface, also known as the Management Data Input / Output (MDIO) Interface. This interface allows upper-layer devices to monitor and control the state of the KSZ8041TL/FTL. An external device with MIIM capability is used to read the PHY status and/or configure the PHY settings. Further detail on the MIIM interface can be found in Clause 22.2.4.5 of the IEEE 802.3u Specification.

The MIIM interface consists of the following:

- A physical connection that incorporates the clock line (MDC) and the data line (MDIO).
- A specific protocol that operates across the aforementioned physical connection that allows an external controller to communicate with one or more KSZ8041TL/FTL devices. Each KSZ8041TL/FTL device is assigned a PHY address between 1 and 7 by the PHYAD[2:0] strapping pins.
- An internal addressable set of thirteen 16-bit MDIO registers. Register [0:6] are required, and their functions are defined by the IEEE 802.3u Specification. The additional registers are provided for expanded functionality.

The KSZ8041TL/FTL supports MIIM in MII mode, RMII mode and SMII mode.

The following table shows the MII Management frame format for the KSZ8041TL/FTL.

	Preamble	Start of Frame	Read/Write OP Code	PHY Address Bits [4:0]	REG Address Bits [4:0]	TA	Data Bits [15:0]	Idle
Read	32 1's	01	10	00AAA	RRRRR	Z0	DDDDDDDD_DDDDDDDD	Z
Write	32 1's	01	01	00AAA	RRRRR	10	DDDDDDDD_DDDDDDDD	Z

Table 1. MII Management Frame Format

Interrupt (INTRP)

INTRP (pin 21) is an optional interrupt signal that is used to inform the external controller that there has been a status update in the KSZ8041TL/FTL PHY register. Bits[15:8] of register 1Bh are the interrupt control bits, and are used to enable and disable the conditions for asserting the INTRP signal. Bits[7:0] of register 1Bh are the interrupt status bits, and are used to indicate which interrupt conditions have occurred. The interrupt status bits are cleared after reading register 1Bh.

Bit 9 of register 1Fh sets the interrupt level to active high or active low.

MII Data Interface

The Media Independent Interface (MII) is specified in Clause 22 of the IEEE 802.3u Specification. It provides a common interface between physical layer and MAC layer devices, and has the following key characteristics:

- Supports 10Mbps and 100Mbps data rates.
- Uses a 25 MHz reference clock, sourced by the PHY.
- Provides independent 4-bit wide (nibble) transmit and receive data paths.
- Contains two distinct groups of signals: one for transmission and the other for reception.

By default, the KSZ8041TL/FTL is configured in MII mode after it is power-up or reset with the following:

- A 25 MHz crystal connected to XI, XO (pins 15, 14), or an external 25MHz clock source (oscillator) connected to XI.
- CONFIG[2:0] (pins 27, 41, 40) set to '000' (default setting).

MII Signal Definition

The following table describes the MII signals. Refer to Clause 22 of the IEEE 802.3u Specification for detailed information.

MII Signal Name	Direction (with respect to PHY, KSZ8041TL/FTL signal)	Direction (with respect to MAC)	Description
TXC	Output	Input	Transmit Clock (2.5 MHz for 10Mbps; 25 MHz for 100Mbps)
TXEN	Input	Output	Transmit Enable
TXD[3:0]	Input	Output	Transmit Data [3:0]
RXC	Output	Input	Receive Clock (2.5 MHz for 10Mbps; 25 MHz for 100Mbps)
RXDV	Output	Input	Receive Data Valid
RXD[3:0]	Output	Input	Receive Data [3:0]
RXER	Output	Input, or (not required)	Receive Error
CRS	Output	Input	Carrier Sense
COL	Output	Input	Collision Detection

Table 2. MII Signal Definition

Transmit Clock (TXC)

TXC is sourced by the PHY. It is a continuous clock that provides the timing reference for TXEN and TXD[3:0].

TXC is 2.5MHz for 10Mbps operation and 25MHz for 100Mbps operation.

Transmit Enable (TXEN)

TXEN indicates the MAC is presenting nibbles on TXD[3:0] for transmission. It is asserted synchronously with the first nibble of the preamble and remains asserted while all nibbles to be transmitted are presented on the MII, and is negated prior to the first TXC following the final nibble of a frame.

TXEN transitions synchronously with respect to TXC.

Transmit Data [3:0] (TXD[3:0])

TXD[3:0] transitions synchronously with respect to TXC. When TXEN is asserted, TXD[3:0] are accepted for transmission by the PHY. TXD[3:0] is "00" to indicate idle when TXEN is de-asserted. Values other than "00" on TXD[3:0] while TXEN is de-asserted are ignored by the PHY.

Receive Clock (RXC)

RXC provides the timing reference for RXDV, RXD[3:0], and RXER.

- In 10Mbps mode, RXC is recovered from the line while carrier is active. RXC is derived from the PHY's reference clock when the line is idle, or link is down.
- In 100Mbps mode, RXC is continuously recovered from the line. If link is down, RXC is derived from the PHY's reference clock.

RXC is 2.5MHz for 10Mbps operation and 25MHz for 100Mbps operation.

Receive Data Valid (RXDV)

RXDV is driven by the PHY to indicate that the PHY is presenting recovered and decoded nibbles on RXD[3:0].

- In 10Mbps mode, RXDV is asserted with the first nibble of the SFD (Start of Frame Delimiter), "5D", and remains asserted until the end of the frame.
- In 100Mbps mode, RXDV is asserted from the first nibble of the preamble to the last nibble of the frame.

RXDV transitions synchronously with respect to RXC.

Receive Data [3:0] (RXD[3:0])

RXD[3:0] transitions synchronously with respect to RXC. For each clock period in which RXDV is asserted, RXD[3:0] transfers a nibble of recovered data from the PHY.

Receive Error (RXER)

RXER is asserted for one or more RXC periods to indicate that a Symbol Error (e.g. a coding error that a PHY is capable of detecting, and that may otherwise be undetectable by the MAC sub-layer) was detected somewhere in the frame presently being transferred from the PHY.

RXER transitions synchronously with respect to RXC. While RXDV is de-asserted, RXER has no effect on the MAC.

Carrier Sense (CRS)

CRS is asserted and de-asserted as follows:

- In 10Mbps mode, CRS assertion is based on the reception of valid preambles. CRS de-assertion is based on the reception of an end-of-frame (EOF) marker.
- In 100Mbps mode, CRS is asserted when a start-of-stream delimiter, or /J/K symbol pair is detected. CRS is de-asserted when an end-of-stream delimiter, or /T/R symbol pair is detected. Additionally, the PMA layer de-asserts CRS if IDLE symbols are received without /T/R.

Collision (COL)

COL is asserted in half-duplex mode whenever the transmitter and receiver are simultaneously active on the line. This is used to inform the MAC that a collision has occurred during its transmission to the PHY.

COL transitions asynchronously with respect to TXC and RXC.

Reduced MII (RMII) Data Interface

The Reduced Media Independent Interface (RMII) specifies a low pin count Media Independent Interface (MII). It provides a common interface between physical layer and MAC layer devices, and has the following key characteristics:

- Supports 10Mbps and 100Mbps data rates.
- Uses a single 50 MHz reference clock provided by the MAC or the system board.
- Provides independent 2-bit wide (di-bit) transmit and receive data paths.
- Contains two distinct groups of signals: one for transmission and the other for reception.

The KSZ8041TL/FTL is configured in RMII mode after it is power-up or reset with the following:

- A 50 MHz reference clock connected to REFCLK (pin 15).
- CONFIG[2:0] (pins 27, 41, 40) set to '001'.

In RMII mode, unused MII signals, TXD[3:2] (pins 39, 38), are tied to ground.

RMII Signal Definition

The following table describes the RMII signals. Refer to RMII Specification for detailed information.

RMII Signal Name	Direction (with respect to PHY, KSZ8041TL/FTL signal)	Direction (with respect to MAC)	Description
REF_CLK	Input	Input, or Output	Synchronous 50 MHz clock reference for receive, transmit and control interface
TX_EN	Input	Output	Transmit Enable
TXD[1:0]	Input	Output	Transmit Data [1:0]
CRS_DV	Output	Input	Carrier Sense/Receive Data Valid
RXD[1:0]	Output	Input	Receive Data [1:0]
RX_ER	Output	Input, or (not required)	Receive Error

Table 3. RMII Signal Description

Reference Clock (REF_CLK)

REF_CLK is sourced by the MAC or system board. It is a continuous 50 MHz clock that provides the timing reference for TX_EN, TXD[1:0], CRS_DV, RXD[1:0], and RX_ER.

Transmit Enable (TX_EN)

TX_EN indicates that the MAC is presenting di-bits on TXD[1:0] for transmission. It is asserted synchronously with the first nibble of the preamble and remains asserted while all di-bits to be transmitted are presented on the RMII, and is negated prior to the first REF_CLK following the final di-bit of a frame.

TX_EN transitions synchronously with respect to REF_CLK.

Transmit Data [1:0] (TXD[1:0])

TXD[1:0] transitions synchronously with respect to REF_CLK. When TX_EN is asserted, TXD[1:0] are accepted for transmission by the PHY. TXD[1:0] is "00" to indicate idle when TX_EN is de-asserted. Values other than "00" on TXD[1:0] while TX_EN is de-asserted are ignored by the PHY.

Carrier Sense/Receive Data Valid (CRS_DV)

CRS_DV is asserted by the PHY when the receive medium is non-idle. It is asserted asynchronously on detection of carrier. This is when squelch is passed in 10Mbps mode, and when 2 non-contiguous zeroes in 10 bits are detected in 100Mbps mode. Loss of carrier results in the de-assertion of CRS_DV.

So long as carrier detection criteria are met, CRS_DV remains asserted continuously from the first recovered di-bit of the frame through the final recovered di-bit, and it is negated prior to the first REF_CLK that follows the final di-bit. The data on RXD[1:0] is considered valid once CRS_DV is asserted. However, since the assertion of CRS_DV is asynchronous relative to REF_CLK, the data on RXD[1:0] is "00" until proper receive signal decoding takes place.

Receive Data [1:0] (RXD[1:0])

RXD[1:0] transitions synchronously to REF_CLK. For each clock period in which CRS_DV is asserted, RXD[1:0] transfers two bits of recovered data from the PHY. RXD[1:0] is "00" to indicate idle when CRS_DV is de-asserted. Values other than "00" on RXD[1:0] while CRS_DV is de-asserted are ignored by the MAC.

Receive Error (RX_ER)

RX_ER is asserted for one or more REF_CLK periods to indicate that a Symbol Error (e.g. a coding error that a PHY is capable of detecting, and that may otherwise be undetectable by the MAC sub-layer) was detected somewhere in the frame presently being transferred from the PHY.

RX_ER transitions synchronously with respect to REF_CLK. While CRS_DV is de-asserted, RX_ER has no effect on the MAC.

Collision Detection

The MAC regenerates the COL signal of the MII from TX_EN and CRS_DV.

Serial MII (SMII) Data Interface

The Serial Media Independent Interface (SMII) is the lowest pin count Media Independent Interface (MII). It provides a common interface between physical layer and MAC layer devices, and has the following key characteristics:

- Supports 10Mbps and 100Mbps data rates.
- Uses 125 MHz reference clock provided by the MAC or the system board.
- Uses 12.5 MHz sync pulse provided by the MAC.
- Provides independent single-bit wide transmit and receive data paths for data and control information.

The KSZ8041TL/FTL is configured in SMII mode after it is power-up or reset with the following:

- A 125 MHz reference clock connected to CLOCK (pin 15).
- A 12.5 MHz sync pulse connected to SYNC (pin 36).
- CONFIG[2:0] (pins 27, 41, 40) set to '010'.

In SMII mode, unused MII signals, TXD[3:2] (pins 39, 38), are tied to ground.

SMII Signal Definition

The following table describes the SMII signals. Refer to SMII Specification for detailed information.

SMII Signal Name	Direction (with respect to PHY, KSZ8041TL/FTL signal)	Direction (with respect to MAC)	Description
CLOCK	Input	Input, or Output	125 MHz clock reference for receive and transmit data and control
SYNC	Input	Output	12.5 MHz sync pulse from MAC
TX	Input	Output	Transmit Data and Control
RX	Output	Input	Receive Data and Control

Table 4. SMII Signal Description

Clock Reference (CLOCK)

CLOCK is sourced by the MAC or system board. It is a continuous 125 MHz clock that provides the timing reference for SYNC, TX, and RX.

Sync Pulse (SYNC)

SYNC is a 12.5 MHz synchronized pulse derived from CLOCK by the MAC. It is used to indicate the segment boundary for each transmit data/control segment, or receive data/control segment. Each segment is comprised of ten bits.

SYNC is generated continuously by the MAC at every ten cycles of CLOCK.

Transmit Data and Control (TX)

TX provides transmit data and control information from MAC-to-PHY in 10-bit segments.

- In 10Mbps mode, each segment is repeated ten times. Therefore, every ten segments represent a new byte of data. The PHY can sample any one of every ten segments.
- In 100Mbps mode, each segment represents a new byte of data.

The following figure and table shows the transmit data/control format for each segment:

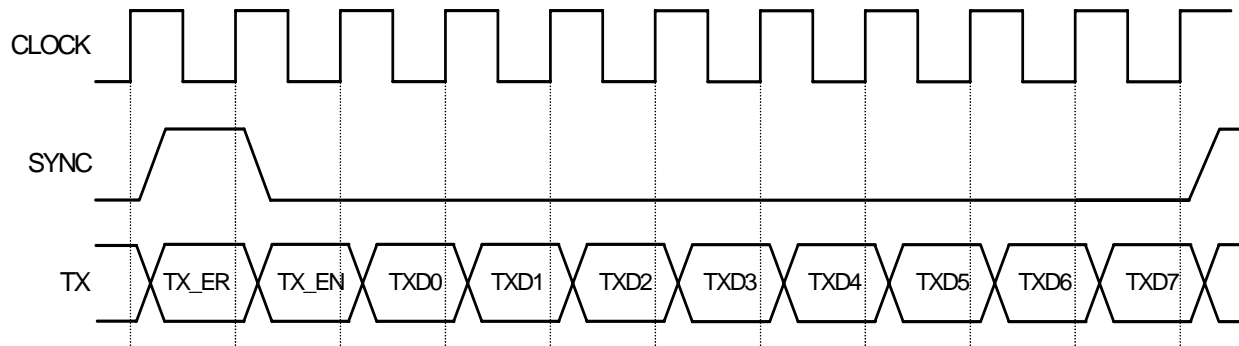


Figure 2. SMII Transmit Data/Control Segment

SMII TX Bit	Description
TX_ER	Transmit Error
TX_EN	Transmit Enable
TXD[0:7]	Encoded Data See SMII TXD[0:7] Encoding Table (below)

Table 5. SMII TX Bit Description

TX_ER	TX_EN	TXD0	TXD1	TXD2	TXD3	TXD4	TXD5	TXD6	TXD7
X	0	Use to force an error in a direct MAC-to-MAC connection	Speed 0=10M 1=100M	Duplex 0=Half 1=Full	Link 0=Down 1=Up	Jabber 0=No 1=Yes	1	1	1
X	1	One Data Byte							

Table 6. SMII TXD[0:7] Encoding Table

Receive Data and Control (RX)

RX provides receive data and control information from PHY-to-MAC in 10-bit segments.

- In 10Mbps mode, each segment is repeated ten times. Therefore, every ten segments represent a new byte of data. The MAC can sample any one of every ten segments.
- In 100Mbps mode, each segment represents a new byte of data.

The following figure and table shows the receive data/control format for each segment:

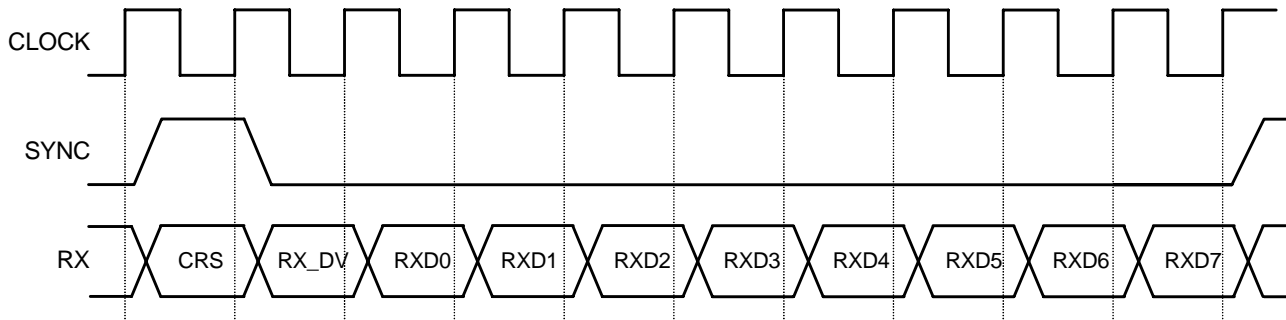


Figure 3. SMII Receive Data/Control Segment

SMII RX Bit	Description
CRS	Carrier Sense
RX_DV	Receive Data Valid
RXD[0:7]	Encoded Data See SMII RXD[0:7] Encoding Table (below)

Table 7. SMII RX Bit Description

CRS	RX_DV	RXD0	RXD1	RXD2	RXD3	RXD4	RXD5	RXD6	RXD7
X	0	RX_ER from pervious frame	Speed 0=10M 1=100M	Duplex 0=Half 1=Full	Link 0=Down 1=Up	Jabber 0=No 1=Yes	Upper Nibble 0=Invalid 1=Valid	False Carrier Detected	1
X	1	One Data Byte							

Table 8. SMII RXD[0:7] Encoding Table

Collision Detection

Collisions occur when CRS and TX_EN are simultaneously asserted. The MAC regenerates the MII collision signal from CRS and TX_EN.

HP Auto MDI/MDI-X

HP Auto MDI/MDI-X configuration eliminates the confusion of whether to use a straight cable or a crossover cable between the KSZ8041TL/FTL and its link partner. This feature allows the KSZ8041TL/FTL to use either type of cable to connect with a link partner that is in either MDI or MDI-X mode. The auto-sense function detects transmit and receive pairs from the link partner, and then assigns transmit and receive pairs of the KSZ8041TL/FTL accordingly.

HP Auto MDI/MDI-X is enabled by default. It is disabled by writing a one to register 1F bit 13. MDI and MDI-X mode is selected by register 1F bit 14 if HP Auto MDI/MDI-X is disabled.

An isolation transformer with symmetrical transmit and receive data paths is recommended to support auto MDI/MDI-X.

The IEEE 802.3u Standard defines MDI and MDI-X as follow:

MDI		MDI-X	
RJ-45 Pin	Signal	RJ-45 Pin	Signal
1	TD+	1	RD+
2	TD-	2	RD-
3	RD+	3	TD+
6	RD-	6	TD-

Table 9. MDI/MDI-X Pin Definition

Straight Cable

A straight cable connects a MDI device to a MDI-X device, or a MDI-X device to a MDI device. The following diagram depicts a typical straight cable connection between a NIC card (MDI) and a switch, or hub (MDI-X).

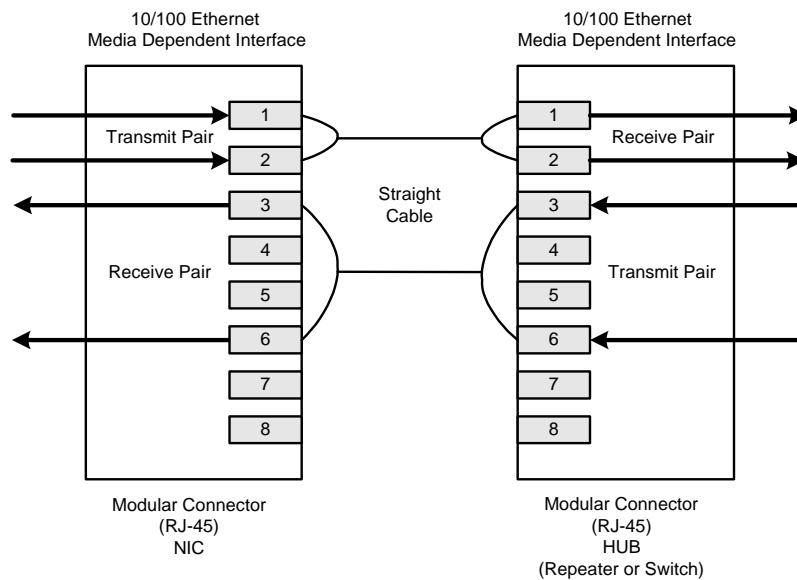


Figure 4. Typical Straight Cable Connection

Crossover Cable

A crossover cable connects a MDI device to another MDI device, or a MDI-X device to another MDI-X device. The following diagram depicts a typical crossover cable connection between two switches or hubs (two MDI-X devices).

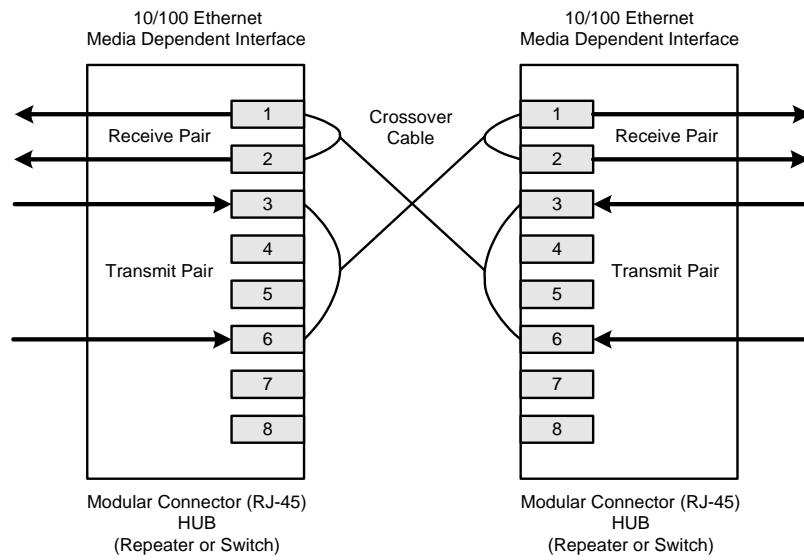


Figure 5. Typical Crossover Cable Connection

LinkMD[®] Cable Diagnostics

The LinkMD[®] feature utilizes time domain reflectometry (TDR) to analyze the cabling plant for common cabling problems, such as open circuits, short circuits and impedance mismatches.

LinkMD[®] works by sending a pulse of known amplitude and duration down the MDI and MDI-X pairs, and then analyzing the shape of the reflected signal. Timing the pulse duration gives an indication of the distance to the cabling fault with maximum distance of 200m and accuracy of +/-2m. Internal circuitry computes the TDR information and presents it in a user-readable digital format.

Note: Cable diagnostics are only valid for copper connections and do not support fiber optic operation.

Access

LinkMD[®] is initiated by accessing register 1Dh, the LinkMD[®] Control/Status Register, in conjunction with register 1Fh, the PHY Control 2 Register.

Usage

The following test procedure demonstrates how to use LinkMD[®] for cable diagnostic:

1. Disable auto MDI/MDI-X by writing a '1' to register 1Fh bit 13 to enable manual control over the differential pair used to transmit the LinkMD[®] pulse.
2. Select the differential pair to transmit the LinkMD[®] pulse with register 1Fh bit 14.
3. Start cable diagnostic test by writing a '1' to register 1Dh bit 15. This enable bit is self-clearing.
4. Wait (poll) for register 1Dh bit 15 to return a '0', indicating cable diagnostic test is completed.
5. Read cable diagnostic test results in register 1Dh bits [14:13]. The results are as follows:
 - 00 = normal condition (valid test)
 - 01 = open condition detected in cable (valid test)
 - 10 = short condition detected in cable (valid test)
 - 11 = cable diagnostic test failed (invalid test)

The '11' case, invalid test, occurs if the KSZ8041TL/FTL is unable to shut down the link partner. In this instance, the test is not run, since it would be impossible for the KSZ8041TL/FTL to determine if the detected signal is a reflection of the signal generated by the KSZ8041TL/FTL, or a signal from its link partner.

6. Get distance to fault by multiplying the decimal value in register 1Dh bits [8:0] by a constant of 0.4. The distance, D (expressed in meters), to the cable fault is determined by the following formula:

$$D \text{ (distance to cable fault)} = 0.4 \times \{\text{decimal value of register 1Dh bits [8:0]}\}$$

The 0.4 constant can be calibrated for different cable types and cabling conditions, such as cables with velocity of propagation that varies significantly from the norm.

Power Management

The KSZ8041TL/FTL offers the following power management modes:

Power Saving Mode

This mode is used to reduce power consumption when the cable is unplugged. It is in effect when auto-negotiation mode is enabled, cable is disconnected, and register 1Fh bit 10 is set to 1 (default setting). Under power saving mode, the KSZ8041TL/FTL shuts down all transceiver blocks, except for energy detect and PLL circuits. Additionally, in MII mode, the RXC clock output is disabled. RXC clock is enabled after the cable is connected and link is established.

Power saving mode is disabled by writing a zero to register 1Fh bit 10.

Power Down Mode

This mode is used to power down the entire KSZ8041TL/FTL device when it is not in use. Power down mode is enabled by writing a one to register 0h bit 11. In the power down state, the KSZ8041TL/FTL disables all internal functions, except for the MII management interface.

Reference Clock Connection Options

A crystal or clock source, such as an oscillator, is used to provide the reference clock for the KSZ8041TL/FTL. The reference clock is 25 MHz for MII mode, 50 MHz for RMII mode, and 125 MHz for SMII mode. The following three figures illustrate how to connect the reference clock to XI / REFCLK / CLOCK (pin 9) and XO (pin 8) of the KSZ8041TL/FTL.

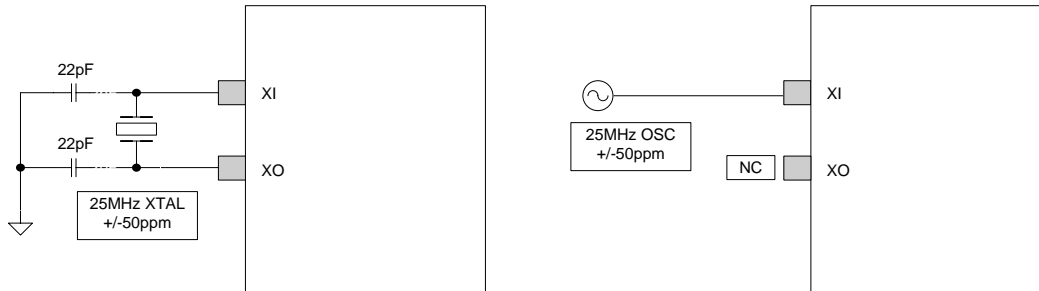


Figure 6. 25MHz Crystal / Oscillator Reference Clock for MII Mode

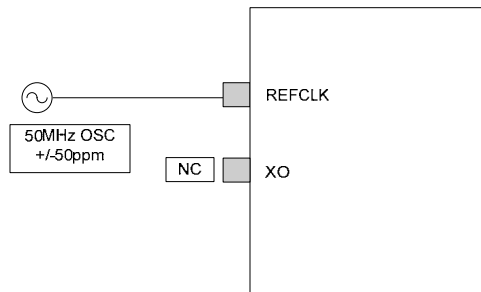


Figure 7. 50MHz Oscillator Reference Clock for RMII Mode

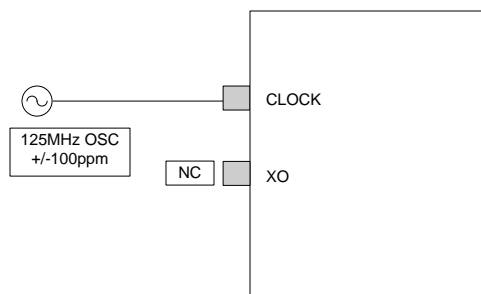


Figure 8. 125MHz Oscillator Reference Clock for SMII Mode

Reference Circuit for Power and Ground Connections

The KSZ8041TL/FTL is a single 3.3V supply device with a built-in 1.8V low noise regulator. The power and ground connections are shown in the following figure and table.

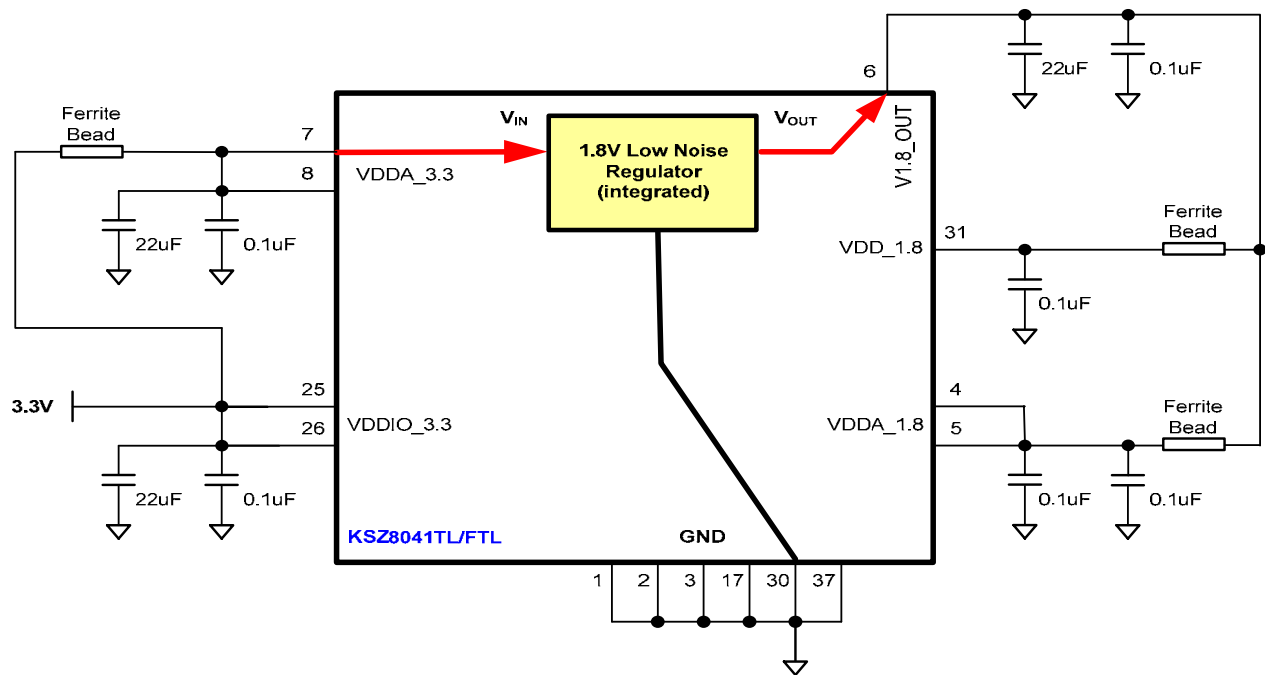


Figure 9. KSZ8041TL/FTL Power and Ground Connections

Power Pin	Pin Number	Pin Type	Description
V1.8_OUT	6	Output	1.8V supply output from KSZ8041TL/FTL Decouple with 22uF and 0.1uF capacitors-to-ground.
VDD_1.8	31	Input	Connect to V1.8_OUT (pin 6) thru ferrite bead. Decouple with 0.1uF capacitor-to-ground.
VDDA_1.8	4, 5	Input	Connect to V1.8_OUT (pin 6) thru ferrite bead. Decouple with 0.1uF capacitor on each pin-to-ground.
VDDIO_3.3	25, 26	Input	Connect to board's 3.3V supply. Decouple with 22uF and 0.1uF capacitors-to-ground.
VDDA_3.3	7, 8	Input	Connect to board's 3.3V supply thru ferrite bead. Decouple with 22uF and 0.1uF capacitors-to-ground.

Table 10. KSZ8041TL/FTL Power Pin Description

100Base-FX Fiber Operation (KSZ8041FTL only)

100Base-FX fiber operation is similar to 100Base-TX copper operation with the differences being that the scrambler/de-scrambler and MLT3 encoder/decoder are bypassed on transmission and reception. In addition, auto-negotiation is bypassed, auto MDI/MDI-X is disabled, and speed is set to 100Mbps. The duplex can be set to either half or full. Usually, it is set to full-duplex.

Fiber Signal Detect

In 100Base-FX operation, FXSD (fiber signal detect), input pin 48, is usually connected to the fiber transceiver SD (signal detect) output pin. 100Base-FX mode is activated when the FXSD input pin is greater than 1V. When FXSD is between 1V and 1.8V, no fiber signal is detected and a Far-End Fault is generated. When FXSD is over 2.2V, the fiber signal is detected.

100Base-FX mode and signal detection is summarized in the following table:

FXSD Input Voltage	Mode
Less than 0.2V	Copper mode
Greater than 1V, but less than 1.8V	Fiber mode No signal detected Far-End Fault generated (if enabled)
Greater than 2.2V	Fiber mode Signal detected

Table 11. Copper and Fiber Mode Selection

To ensure proper operation, a resistive voltage divider is recommended to adjust the fiber transceiver SD (signal detect) output voltage swing to match the FXSD pin's input voltage threshold.

Alternatively, the Far-End Fault feature can be disabled. In this case, the FXSD input pin is tied high to 3.3V to force 100Base-FX mode.

Far-End Fault

A Far-End Fault (FEF) occurs when the signal detection is logically false on the receive side of the fiber transceiver. The KSZ8041FTL detects a FEF when its FXSD input (pin 48) is between 1V and 1.8V. When a FEF is detected, the KSZ8041FTL signals its fiber link partner that a FEF has occurred by transmitting a repetitive pattern of 84-ones and 1-zero. This pattern is used to inform the fiber link partner that there is a faulty link on its transmit side.

By default, FEF is enabled. FEF is disabled by strapping "no FEF" (pin 43) low. See "Strapping Options" section for detail.

Back-to-Back Media Converter

A KSZ8041FTL and a KSZ8041TL can be connected back-to-back to provide a low cost media converter solution. In back-to-back mode, media conversion is between 100Base-FX fiber and 100Base-TX copper. On the copper side, link up at 10Base-T is not allowed, and is blocked during auto-negotiation.

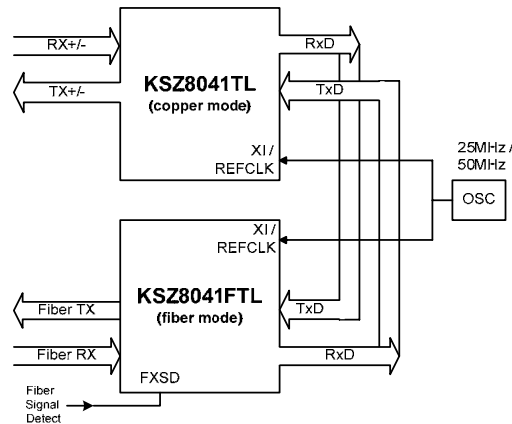


Figure 10. KSZ8041FTL / KSZ8041TL Back-to-Back Media Converter

The KSZ8041FTL and KSZ8041TL support MII Back-to-Back mode and RMII Back-to-Back mode for media conversion.

MII Back-to-Back Mode

The KSZ8041FTL and KSZ8041TL are configured in MII Back-to-Back mode after it is power-up or reset with the following:

- CONFIG[2:0] (pins 27, 41, 40) set to '110' for both KSZ8041FTL and KSZ8041TL.
- A common 25 MHz reference clock connected to XI (pin 15) of both KSZ8041FTL and KSZ8041TL.
- MII signals connected as shown in the following table between KSZ8041FTL in fiber mode and KSZ8041TL in copper mode.

KSZ8041FTL in fiber mode			KSZ8041TL in copper mode		
Pin Name	Pin Number	Pin Type	Pin Name	Pin Number	Pin Type
RXC	28	Output	TXC	33	Input
RXDV	27	Output	TXEN	34	Input
RXD3	20	Output	TXD3	39	Input
RXD2	21	Output	TXD2	38	Input
RXD1	22	Output	TXD1	36	Input
RXD0	23	Output	TXD0	35	Input
TXC	33	Input	RXC	28	Output
TXEN	34	Input	RXDV	27	Output
TXD3	39	Input	RXD3	20	Output
TXD2	38	Input	RXD2	21	Output
TXD1	36	Input	RXD1	22	Output
TXD0	35	Input	RXD0	23	Output

Table 12. MII Signal Connection for MII Back-to-Back Mode

RMII Back-to-Back Mode

The KSZ8041FTL and KSZ8041TL are configured in RMII Back-to-Back mode after it is power-up or reset with the following:

- CONFIG[2:0] (pins 27, 41, 40) set to '101' for both KSZ8041FTL and KSZ8041TL.
- A common 50 MHz reference clock connected to REFCLK (pin 15) of both KSZ8041FTL and KSZ8041TL.
- RMII signals connected as shown in the following table between KSZ8041FTL in fiber mode and KSZ8041TL in copper mode.

KSZ8041FTL in fiber mode			KSZ8041TL in copper mode		
Pin Name	Pin Number	Pin Type	Pin Name	Pin Number	Pin Type
CRSDV	27	Output	TXEN	34	Input
RXD1	22	Output	TXD1	36	Input
RXD0	23	Output	TXD0	35	Input
TXEN	34	Input	CRSDV	27	Output
TXD1	36	Input	RXD1	22	Output
TXD0	35	Input	RXD0	23	Output

Table 13. RMII Signal Connection for RMII Back-to-Back Mode

RMII Back-to-Back mode provides the option to disable and tri-state the transmitter on both copper and fiber sides if the cable is disconnected on the copper side. On the copper side, RXD2 (pin 21) indicates if there is energy detected at the receive inputs of the UTP port. RXD2 outputs a low if there is no energy detected (cable disconnected), and outputs a high if there is energy detected (cable connected). The RXD2 output is connected thru an inverter to drive TXD2 (pin 38) input high to disable and tri-state the transmitters for both copper and fiber sides.

The TXD3 and TXD2 pins should be pulled down with 1K resistors, and RXD3 and RXD2 pins should be left floating, if they are not used.

Register Map

Register Number (Hex)	Description
0h	Basic Control
1h	Basic Status
2h	PHY Identifier 1
3h	PHY Identifier 2
4h	Auto-Negotiation Advertisement
5h	Auto-Negotiation Link Partner Ability
6h	Auto-Negotiation Expansion
7h	Auto-Negotiation Next Page
8h	Link Partner Next Page Ability
9h – 14h	Reserved
15h	RXER Counter
16h – 1Ah	Reserved
1Bh	Interrupt Control/Status
1Ch	Reserved
1Dh	LinkMD [®] Control/Status
1Eh	PHY Control 1
1Fh	PHY Control 2

Register Description

Address	Name	Description	Mode ⁽¹⁾	Default
Register 0h – Basic Control				
0.15	Reset	1 = Software reset 0 = Normal operation This bit is self-cleared after a '1' is written to it.	RW/SC	0
0.14	Loop-back	1 = Loop-back mode 0 = Normal operation	RW	0
0.13	Speed Select (LSB)	1 = 100Mbps 0 = 10Mbps This bit is ignored if auto-negotiation is enabled (register 0.12 = 1).	RW	Set by SPEED strapping pin. See "Strapping Options" section for details.
0.12	Auto-Negotiation Enable	1 = Enable auto-negotiation process 0 = Disable auto-negotiation process If enabled, auto-negotiation result overrides settings in register 0.13 and 0.8.	RW	Set by NWAYEN strapping pin. See "Strapping Options" section for details.
0.11	Power Down	1 = Power down mode 0 = Normal operation	RW	0
0.10	Isolate	1 = Electrical isolation of PHY from MII and TX+/TX- 0 = Normal operation	RW	Set by ISO strapping pin. See "Strapping Options" section for details.
0.9	Restart Auto-Negotiation	1 = Restart auto-negotiation process 0 = Normal operation. This bit is self-cleared after a '1' is written to it.	RW/SC	0

Address	Name	Description	Mode ⁽¹⁾	Default
0.8	Duplex Mode	1 = Full-duplex 0 = Half-duplex	RW	Set by DUPLEX strapping pin. See "Strapping Options" section for details.
0.7	Collision Test	1 = Enable COL test 0 = Disable COL test	RW	0
0.6:1	Reserved		RO	000_000
0.0	Disable Transmitter	0 = Enable transmitter 1 = Disable transmitter	RW	0
Register 1h – Basic Status				
1.15	100Base-T4	1 = T4 capable 0 = Not T4 capable	RO	0
1.14	100Base-TX Full Duplex	1 = Capable of 100Mbps full-duplex 0 = Not capable of 100Mbps full-duplex	RO	1
1.13	100Base-TX Half Duplex	1 = Capable of 100Mbps half-duplex 0 = Not capable of 100Mbps half-duplex	RO	1
1.12	10Base-T Full Duplex	1 = Capable of 10Mbps full-duplex 0 = Not capable of 10Mbps full-duplex	RO	1
1.11	10Base-T Half Duplex	1 = Capable of 10Mbps half-duplex 0 = Not capable of 10Mbps half-duplex	RO	1
1.10:7	Reserved		RO	0000
1.6	No Preamble	1 = Preamble suppression 0 = Normal preamble	RO	1
1.5	Auto-Negotiation Complete	1 = Auto-negotiation process completed 0 = Auto-negotiation process not completed	RO	0
1.4	Remote Fault	1 = Remote fault 0 = No remote fault	RO/LH	0
1.3	Auto-Negotiation Ability	1 = Capable to perform auto-negotiation 0 = Not capable to perform auto-negotiation	RO	1
1.2	Link Status	1 = Link is up 0 = Link is down	RO/LL	0
1.1	Jabber Detect	1 = Jabber detected 0 = Jabber not detected (default is low)	RO/LH	0
1.0	Extended Capability	1 = Supports extended capabilities registers	RO	1
Register 2h – PHY Identifier 1				
2.15:0	PHY ID Number	Assigned to the 3rd through 18th bits of the Organizationally Unique Identifier (OUI). Kendin Communication's OUI is 0010A1 (hex)	RO	0022h

Address	Name	Description	Mode ⁽¹⁾	Default
Register 3h – PHY Identifier 2				
3.15:10	PHY ID Number	Assigned to the 19th through 24 th bits of the Organizationally Unique Identifier (OUI). Kendin Communication's OUI is 0010A1 (hex)	RO	0001_01
3.9:4	Model Number	Six bit manufacturer's model number	RO	01_0001
3.3:0	Revision Number	Four bit manufacturer's model number	RO	0010
Register 4h – Auto-Negotiation Advertisement				
4.15	Next Page	1 = Next page capable 0 = No next page capability.	RW	0
4.14	Reserved		RO	0
4.13	Remote Fault	1 = Remote fault supported 0 = No remote fault	RW	0
4.12:11	Reserved		RO	00
4.10	Pause	1 = PAUSE function supported 0 = No PAUSE function supported	RW	0
4.9	100Base-T4	1 = T4 capable 0 = No T4 capability	RO	0
4.8	100Base-TX Full-Duplex	1 = 100Mbps full-duplex capable 0 = No 100Mbps full-duplex capability	RW	Set by SPEED strapping pin. See "Strapping Options" section for details.
4.7	100Base-TX Half-Duplex	1 = 100Mbps half-duplex capable 0 = No 100Mbps half-duplex capability	RW	Set by SPEED strapping pin. See "Strapping Options" section for details.
4.6	10Base-T Full-Duplex	1 = 10Mbps full-duplex capable 0 = No 10Mbps full-duplex capability	RW	1
4.5	10Base-T Half-Duplex	1 = 10Mbps half-duplex capable 0 = No 10Mbps half-duplex capability	RW	1
4.4:0	Selector Field	[00001] = IEEE 802.3	RW	0_0001
Register 5h – Auto-Negotiation Link Partner Ability				
5.15	Next Page	1 = Next page capable 0 = No next page capability	RO	0
5.14	Acknowledge	1 = Link code word received from partner 0 = Link code word not yet received	RO	0
5.13	Remote Fault	1 = Remote fault detected 0 = No remote fault	RO	0
5.12	Reserved		RO	0
5.11:10	Pause	[00] = No PAUSE [10] = Asymmetric PAUSE [01] = Symmetric PAUSE [11] = Asymmetric & Symmetric PAUSE	RO	00

Address	Name	Description	Mode ⁽¹⁾	Default
5.9	100Base-T4	1 = T4 capable 0 = No T4 capability	RO	0
5.8	100Base-TX Full-Duplex	1 = 100Mbps full-duplex capable 0 = No 100Mbps full-duplex capability	RO	0
5.7	100Base-TX Half-Duplex	1 = 100Mbps half-duplex capable 0 = No 100Mbps half-duplex capability	RO	0
5.6	10Base-T Full-Duplex	1 = 10Mbps full-duplex capable 0 = No 10Mbps full-duplex capability	RO	0
5.5	10Base-T Half-Duplex	1 = 10Mbps half-duplex capable 0 = No 10Mbps half-duplex capability	RO	0
5.4:0	Selector Field	[00001] = IEEE 802.3	RO	0_0001
Register 6h – Auto-Negotiation Expansion				
6.15:5	Reserved		RO	0000_0000_000
6.4	Parallel Detection Fault	1 = Fault detected by parallel detection 0 = No fault detected by parallel detection.	RO/LH	0
6.3	Link Partner Next Page Able	1 = Link partner has next page capability 0 = Link partner does not have next page capability	RO	0
6.2	Next Page Able	1 = Local device has next page capability 0 = Local device does not have next page capability	RO	1
6.1	Page Received	1 = New page received 0 = New page not received yet	RO/LH	0
6.0	Link Partner Auto- Negotiation Able	1 = Link partner has auto-negotiation capability 0 = Link partner does not have auto-negotiation capability	RO	0
Register 7h – Auto-Negotiation Next Page				
7.15	Next Page	1 = Additional next page(s) will follow 0 = Last page	RW	0
7.14	Reserved		RO	0
7.13	Message Page	1 = Message page 0 = Unformatted page	RW	1
7.12	Acknowledge2	1 = Will comply with message 0 = Cannot comply with message	RW	0
7.11	Toggle	1 = Previous value of the transmitted link code word equaled logic one 0 = Logic zero	RO	0
7.10:0	Message Field	11-bit wide field to encode 2048 messages	RW	000_0000_0001
Register 8h – Link Partner Next Page Ability				
8.15	Next Page	1 = Additional Next Page(s) will follow 0 = Last page	RO	0

Address	Name	Description	Mode ⁽¹⁾	Default
8.14	Acknowledge	1 = Successful receipt of link word 0 = No successful receipt of link word	RO	0
8.13	Message Page	1 = Message page 0 = Unformatted page	RO	0
8.12	Acknowledge2	1 = Able to act on the information 0 = Not able to act on the information	RO	0
8.11	Toggle	1 = Previous value of transmitted link code word equal to logic zero 0 = Previous value of transmitted link code word equal to logic one	RO	0
8.10:0	Message Field		RO	000_0000_0000
Register 15h – RXER Counter				
15.15:0	RXER Counter	Receive error counter for Symbol Error frames	RO/SC	0000h
Register 1Bh – Interrupt Control/Status				
1b.15	Jabber Interrupt Enable	1 = Enable Jabber Interrupt 0 = Disable Jabber Interrupt	RW	0
1b.14	Receive Error Interrupt Enable	1 = Enable Receive Error Interrupt 0 = Disable Receive Error Interrupt	RW	0
1b.13	Page Received Interrupt Enable	1 = Enable Page Received Interrupt 0 = Disable Page Received Interrupt	RW	0
1b.12	Parallel Detect Fault Interrupt Enable	1 = Enable Parallel Detect Fault Interrupt 0 = Disable Parallel Detect Fault Interrupt	RW	0
1b.11	Link Partner Acknowledge Interrupt Enable	1 = Enable Link Partner Acknowledge Interrupt 0 = Disable Link Partner Acknowledge Interrupt	RW	0
1b.10	Link Down Interrupt Enable	1 = Enable Link Down Interrupt 0 = Disable Link Down Interrupt	RW	0
1b.9	Remote Fault Interrupt Enable	1 = Enable Remote Fault Interrupt 0 = Disable Remote Fault Interrupt	RW	0
1b.8	Link Up Interrupt Enable	1 = Enable Link Up Interrupt 0 = Disable Link Up Interrupt	RW	0
1b.7	Jabber Interrupt	1 = Jabber occurred 0 = Jabber did not occurred	RO/SC	0
1b.6	Receive Error Interrupt	1 = Receive Error occurred 0 = Receive Error did not occurred	RO/SC	0
1b.5	Page Receive Interrupt	1 = Page Receive occurred 0 = Page Receive did not occurred	RO/SC	0
1b.4	Parallel Detect Fault Interrupt	1 = Parallel Detect Fault occurred 0 = Parallel Detect Fault did not occurred	RO/SC	0

Address	Name	Description	Mode ⁽¹⁾	Default
1b.3	Link Partner Acknowledge Interrupt	1 = Link Partner Acknowledge occurred 0 = Link Partner Acknowledge did not occurred	RO/SC	0
1b.2	Link Down Interrupt	1 = Link Down occurred 0 = Link Down did not occurred	RO/SC	0
1b.1	Remote Fault Interrupt	1 = Remote Fault occurred 0 = Remote Fault did not occurred	RO/SC	0
1b.0	Link Up Interrupt	1 = Link Up occurred 0 = Link Up did not occurred	RO/SC	0
Register 1Dh – LinkMD[®] Control/Status				
1d.15	Cable Diagnostic Test Enable	1 = Enable cable diagnostic test. After test has completed, this bit is self-cleared. 0 = Indicates cable diagnostic test (if enabled) has completed and the status information is valid for read.	RW/SC	0
1d.14:13	Cable Diagnostic Test Result	[00] = normal condition [01] = open condition has been detected in cable [10] = short condition has been detected in cable [11] = cable diagnostic test has failed	RO	00
1d.12:9	Reserved			0000
1d.8:0	Cable Fault Counter	Distance to fault; it's approximately 0.4m*(Cable Fault Counter value in decimal)	RO	0_0000_0000
Register 1Eh – PHY Control 1				
1e.15:14	LED mode	[00] = LED1 : Speed LED0 : Link/Activity [01] = LED1 : Activity LED0 : Link [10] = Reserved [11] = Reserved	RW	00
1e.13	Polarity	0 = Polarity is not reversed 1 = Polarity is reversed	RO	
1e.12	Far-End Fault Detect	0 = Far-End Fault not detected 1 = Far-End Fault detected This bit applies to KSZ8041FTL fiber only.	RO	0
1e.11	MDI/MDI-X State	0 = MDI 1 = MDI-X	RO	
1e.10:8	Reserved			
1e.7	Remote loopback	0 = Normal mode 1 = Remote (analog) loop back is enable	RW	0
1e.6:0	Reserved			

Address	Name	Description	Mode ⁽¹⁾	Default
Register 1Fh – PHY Control 2				
1f.15	HP_MDIX	0 = Micrel Auto MDI/MDI-X mode 1 = HP Auto MDI/MDI-X mode	RW	1
1f.14	MDI/MDI-X Select	When Auto MDI/MDI-X is disabled, 0 = MDI Mode Transmit on TX+/- (pins 12,11) and Receive on RX+/- (pins 10,9) 1 = MDI-X Mode Transmit on RX+/- (pins 10,9) and Receive on TX+/- (pins 12,11)	RW	0
1f.13	Pairswap Disable	1 = Disable auto MDI/MDI-X 0 = Enable auto MDI/MDI-X	RW	0
1f.12	Energy Detect	1 = Presence of signal on RX+/- analog wire pair 0 = No signal detected on RX+/-	RO	0
1f.11	Force Link	1 = Force link pass 0 = Normal link operation This bit bypasses the control logic and allow transmitter to send pattern even if there is no link.	RW	0
1f.10	Power Saving	1 = Enable power saving 0 = Disable power saving If power saving mode is enabled and the cable is disconnected, the RXC clock output (in MII mode) is disabled. RXC clock is enabled after the cable is connected and link is established.	RW	0
1f.9	Interrupt Level	1 = Interrupt pin active high 0 = Interrupt pin active low	RW	0
1f.8	Enable Jabber	1 = Enable jabber counter 0 = Disable jabber counter	RW	1
1f.7	Auto-Negotiation Complete	1 = Auto-negotiation process completed 0 = Auto-negotiation process not completed	RO	0
1f.6	Enable Pause (Flow Control)	1 = Flow control capable 0 = No flow control capability	RO	0
1f.5	PHY Isolate	1 = PHY in isolate mode 0 = PHY in normal operation	RO	0
1f.4:2	Operation Mode Indication	[000] = still in auto-negotiation [001] = 10Base-T half-duplex [010] = 100Base-TX half-duplex [011] = reserved [101] = 10Base-T full-duplex [110] = 100Base-TX full-duplex [111] = reserved	RO	000
1f.1	Enable SQE test	1 = Enable SQE test 0 = Disable SQE test	RW	0

Address	Name	Description	Mode ⁽¹⁾	Default
1f.0	Disable Data Scrambling	1 = Disable scrambler 0 = Enable scrambler	RW	0

Note:

1. RW = Read/Write.
RO = Read only.
SC = Self-cleared.
LH = Latch high.
LL = Latch low.

Absolute Maximum Ratings⁽¹⁾

Supply Voltage

 $(V_{DD_1.8}, V_{DDA_1.8}, V_{1.8_OUT})$ -0.5V to +2.4V $(V_{DDIO_3.3}, V_{DDA_3.3})$ -0.5V to +4.0V

Input Voltage (all inputs) -0.5V to +4.0V

Output Voltage (all outputs) -0.5V to +4.0V

Lead Temperature (soldering, 10sec.) 260°C

Storage Temperature (T_s) -55°C to +150°C**Operating Ratings⁽²⁾**

Supply Voltage

 $(V_{DDIO_3.3}, V_{DDA_3.3})$ +3.135V to +3.465VAmbient Temperature (T_A) 0°C to +70°CMaximum Junction Temperature (T_J Max) 125°CThermal Resistance (θ_{JA}) 69.64°C/W**Electrical Characteristics⁽³⁾**

Symbol	Parameter	Condition	Min	Typ	Max	Units
Supply Current⁽⁴⁾						
I_{DD1}	100Base-TX	Chip only (no transformer); Full-duplex traffic @ 100% utilization		53		mA
I_{DD2}	10Base-T	Chip only (no transformer); Full-duplex traffic @ 100% utilization		38		mA
I_{DD3}	Power Saving Mode	Ethernet cable disconnected (reg. 1F.10 = 1)		32		mA
I_{DD4}	Power Down Mode	Software power down (reg. 0.11 = 1)		4		mA
TTL Inputs						
V_{IH}	Input High Voltage		2.0			V
V_{IL}	Input Low Voltage				0.8	V
I_{IN}	Input Current	$V_{IN} = GND \sim V_{DDIO}$		-10	10	μ A
TTL Outputs						
V_{OH}	Output High Voltage	$I_{OH} = -4mA$	2.4			V
V_{OL}	Output Low Voltage	$I_{OL} = 4mA$			0.4	V
$ I_{oz} $	Output Tri-State Leakage				10	μ A
100Base-TX Transmit (measured differentially after 1:1 transformer)						
V_O	Peak Differential Output Voltage	100 Ω termination across differential output	0.95		1.05	V
V_{IMB}	Output Voltage Imbalance	100 Ω termination across differential output			2	%
t_r, t_f	Rise/Fall Time		3		5	ns
	Rise/Fall Time Imbalance		0		0.5	ns
	Duty Cycle Distortion				± 0.25	ns
	Overshoot				5	%
V_{SET}	Reference Voltage of I_{SET}			0.65		V
	Output Jitter	Peak-to-peak		0.7	1.4	ns
10Base-T Transmit (measured differentially after 1:1 transformer)						
V_P	Peak Differential Output Voltage	100 Ω termination across differential output	2.2		2.8	V
	Jitter Added	Peak-to-peak			3.5	ns
t_r, t_f	Rise/Fall Time			25		ns
10Base-T Receive						
V_{SQ}	Squelch Threshold	5MHz square wave		400		mV

Notes:

1. Exceeding the absolute maximum rating may damage the device. Stresses greater than the absolute maximum rating may cause permanent damage to the device. Operation of the device at these or any other conditions above those specified in the operating sections of this specification is not implied. Maximum conditions for extended periods may affect reliability.
2. The device is not guaranteed to function outside its operating rating.
3. $T_A = 25^\circ\text{C}$. Specification for packaged product only.
4. Current consumption is for the single 3.3V supply KSZ8041TL/FTL device only, and includes the 1.8V supply voltage ($V_{DD_1.8}$, $V_{DDA_1.8}$, $V_{1.8_OUT}$) that is provided by the KSZ8041TL/FTL. The PHY port's transformer consumes an additional 45mA @ 3.3V for 100Base-TX and 70mA @ 3.3V for 10Base-T.

Timing Diagrams

MII SQE Timing (10Base-T)

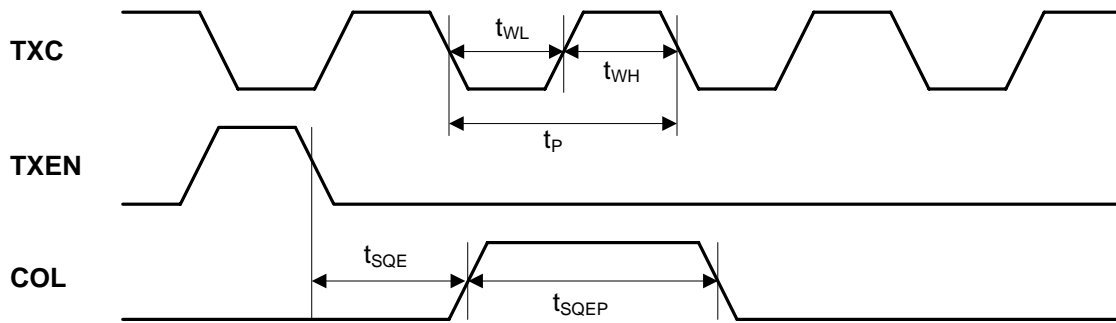


Figure 11. MII SQE Timing (10Base-T)

Timing Parameter	Description	Min	Typ	Max	Unit
t_P	TXC period		400		ns
t_{WL}	TXC pulse width low		200		ns
t_{WH}	TXC pulse width high		200		ns
t_{SQE}	COL (SQE) delay after TXEN de-asserted		2.5		μ s
t_{SQEP}	COL (SQE) pulse duration		1.0		μ s

Table 14. MII SQE Timing (10Base-T) Parameters

MII Transmit Timing (10Base-T)

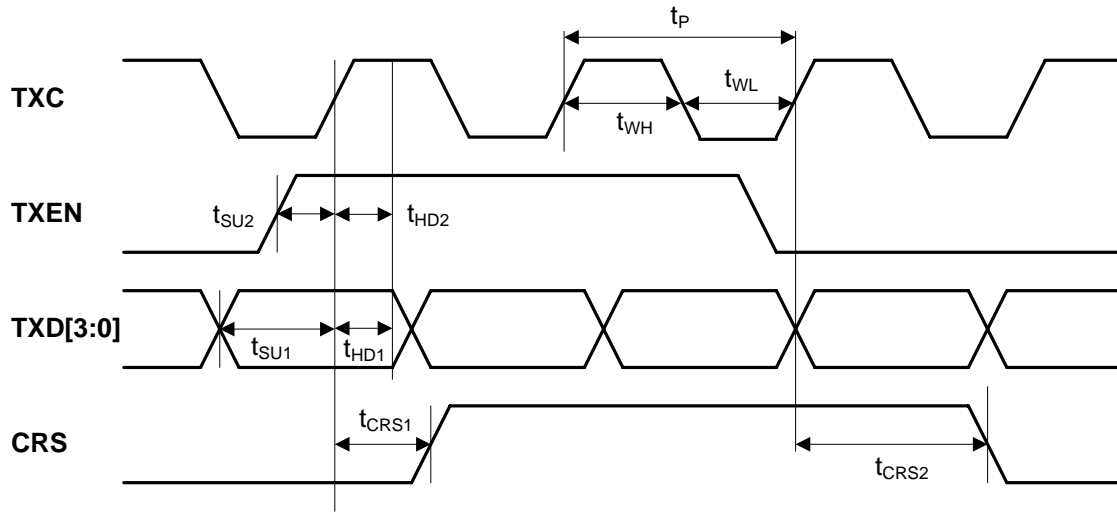


Figure 12. MII Transmit Timing (10Base-T)

Timing Parameter	Description	Min	Typ	Max	Unit
t_P	TXC period		400		ns
t_{WL}	TXC pulse width low		200		ns
t_{WH}	TXC pulse width high		200		ns
t_{SU1}	TXD[3:0] setup to rising edge of TXC	10			ns
t_{SU2}	TXEN setup to rising edge of TXC	10			ns
t_{HD1}	TXD[3:0] hold from rising edge of TXC	0			ns
t_{HD2}	TXEN hold from rising edge of TXC	0			ns
t_{CRS1}	TXEN high to CRS asserted latency		4		Bit Time
t_{CRS2}	TXEN low to CRS de-asserted latency		8		Bit Time

Table 15. MII Transmit Timing (10Base-T) Parameters

MII Receive Timing (10Base-T)

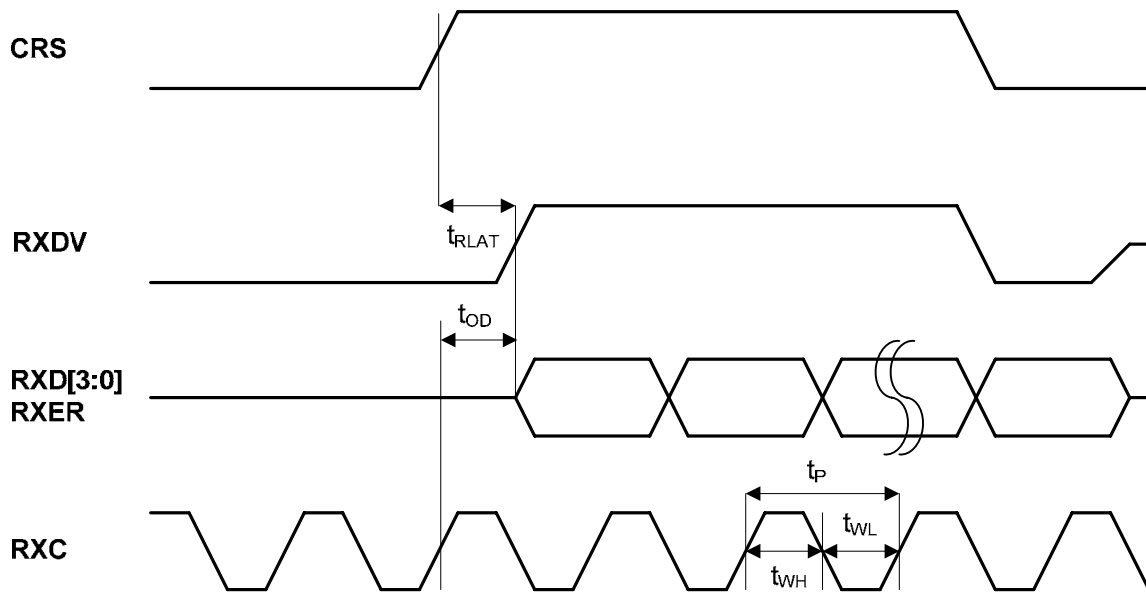


Figure 13. MII Receive Timing (10Base-T)

Timing Parameter	Description	Min	Typ	Max	Unit
t_P	RXC period		400		ns
t_{WL}	RXC pulse width low		200		ns
t_{WH}	RXC pulse width high		200		ns
t_{OD}	(RXD[3:0], RXER, RXDV) output delay from rising edge of RXC	182		225	ns
t_{RLAT}	CRS to (RXD[3:0], RXER, RXDV) latency		6.5		μ S

Table 16. MII Receive Timing (10Base-T) Parameters

MII Transmit Timing (100Base-TX)

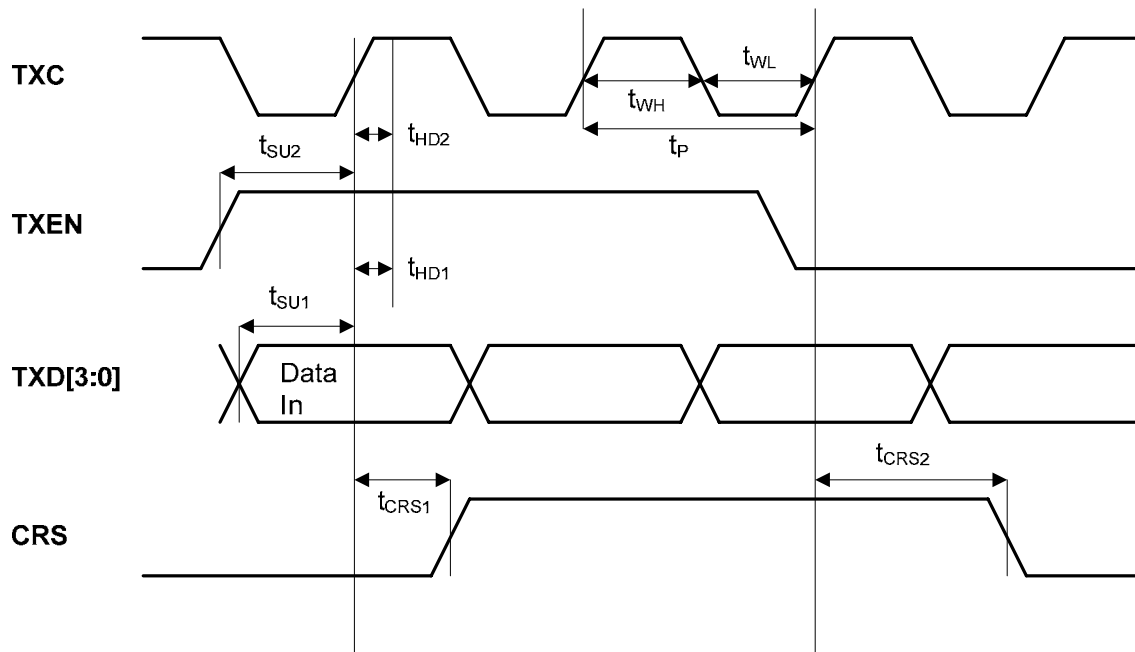


Figure 14. MII Transmit Timing (100Base-TX)

Timing Parameter	Description	Min	Typ	Max	Unit
t_P	TXC period		40		ns
t_{WL}	TXC pulse width low		20		ns
t_{WH}	TXC pulse width high		20		ns
t_{SU1}	TXD[3:0] setup to rising edge of TXC	10			ns
t_{SU2}	TXEN setup to rising edge of TXC	10			ns
t_{HD1}	TXD[3:0] hold from rising edge of TXC	0			ns
t_{HD2}	TXEN hold from rising edge of TXC	0			ns
t_{CRS1}	TXEN high to CRS asserted latency		4		Bit Time
t_{CRS2}	TXEN low to CRS de-asserted latency		4		Bit Time

Table 17. MII Transmit Timing (100Base-TX) Parameters

MII Receive Timing (100Base-TX)

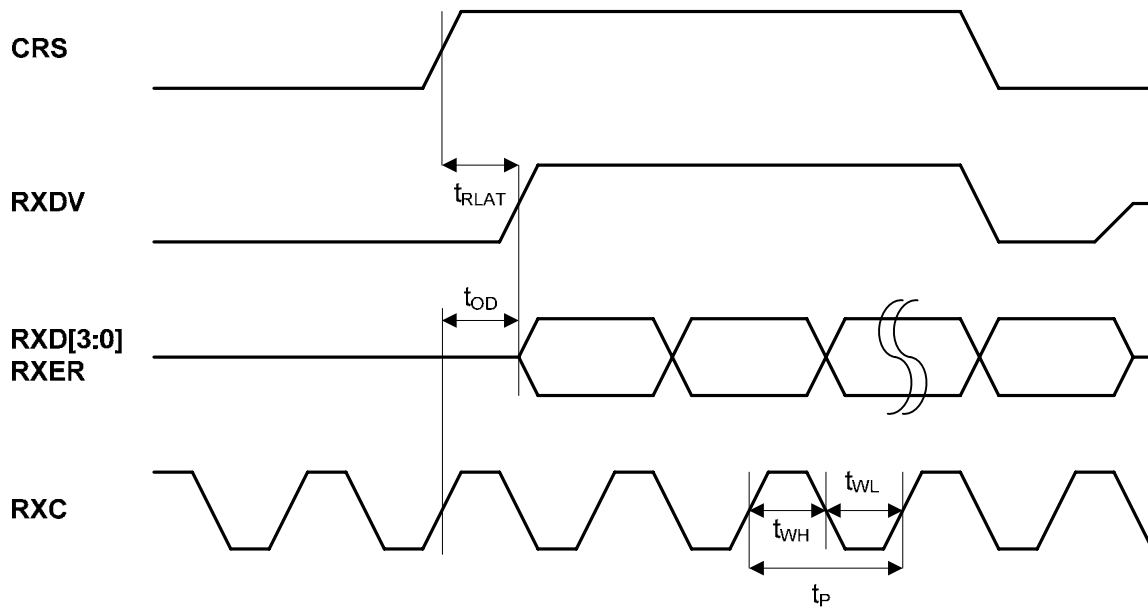


Figure 15. MII Receive Timing (100Base-TX)

Timing Parameter	Description	Min	Typ	Max	Unit
t_P	RXC period		40		ns
t_{WL}	RXC pulse width low		20		ns
t_{WH}	RXC pulse width high		20		ns
t_{OD}	(RXD[3:0], RXER, RXDV) output delay from rising edge of RXC	19		25	ns
t_{RLAT}	CRS to (RXD[3:0], RXER, RXDV) latency	1	2	3	Bit Time

Table 18. MII Receive Timing (100Base-TX) Parameters

RMII Timing

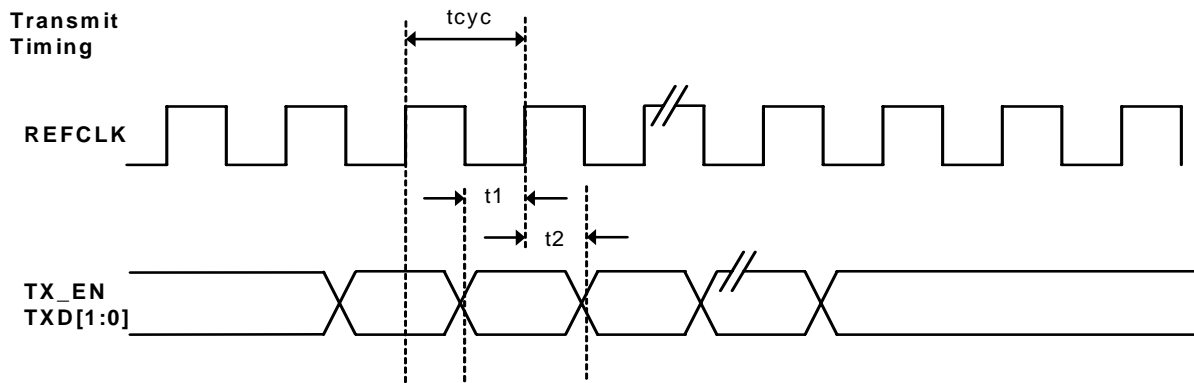


Figure 16. RMII Timing – Data Received from RMII

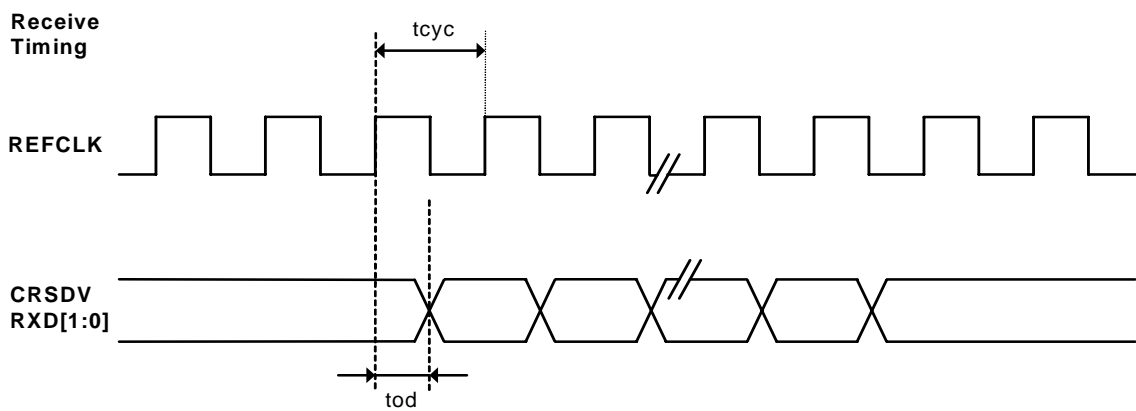


Figure 17. RMII Timing – Data Input to RMII

Timing Parameter	Description	Min	Typ	Max	Unit
t_{cyc}	Clock cycle		20		ns
t_1	Setup time	4			ns
t_2	Hold time	2			ns
t_{od}	Output delay	2.8		10	ns

Table 19. RMII Timing Parameters

Auto-Negotiation Timing

**Auto-Negotiation
Fast Link Pulse (FLP) Timing**

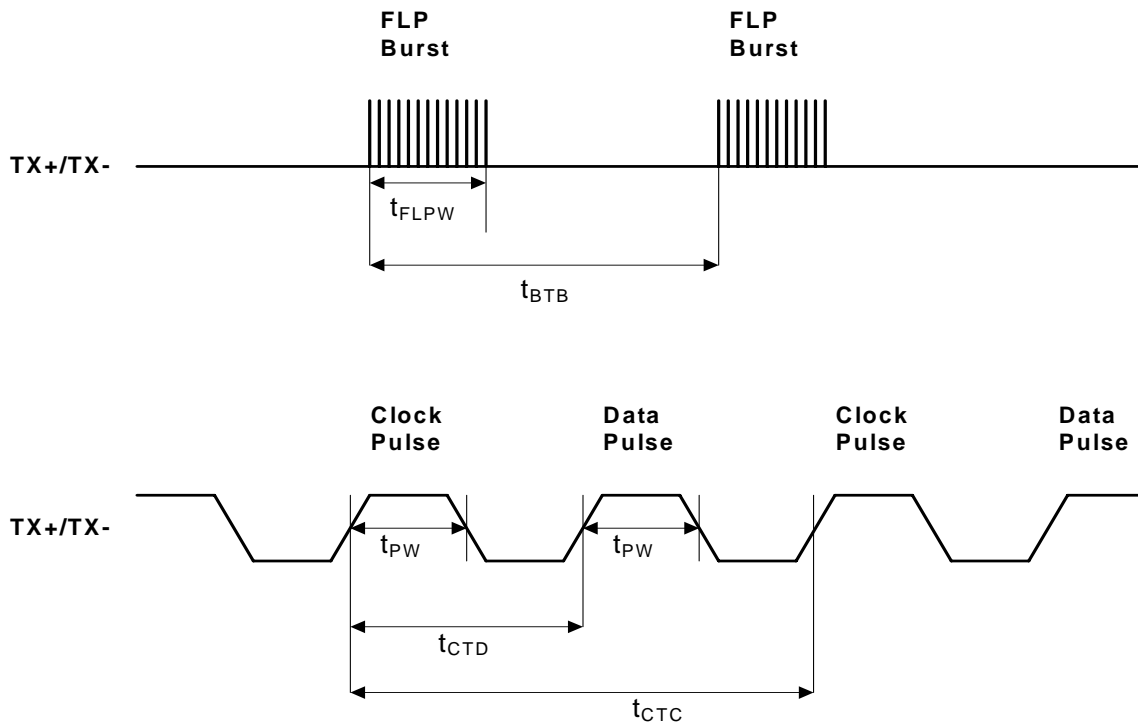


Figure 18. Auto-Negotiation Fast Link Pulse (FLP) Timing

Timing Parameter	Description	Min	Typ	Max	Units
t_{BTBT}	FLP Burst to FLP Burst	8	16	24	ms
t_{FLPW}	FLP Burst width		2		ms
t_{PW}	Clock/Data Pulse width		100		ns
t_{CTD}	Clock Pulse to Data Pulse	55.5	64	69.5	μ s
t_{CTC}	Clock Pulse to Clock Pulse	111	128	139	μ s
	Number of Clock/Data Pulse per FLP Burst	17		33	

Table 20. Auto-Negotiation Fast Link Pulse (FLP) Timing Parameters

MDC/MDIO Timing

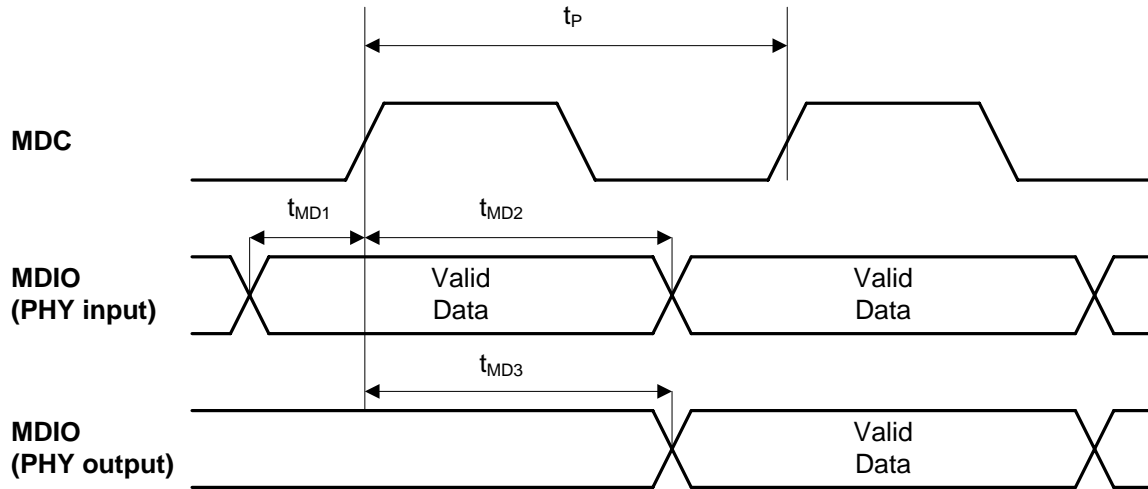


Figure 19. MDC/MDIO Timing

Timing Parameter	Description	Min	Typ	Max	Unit
t_P	MDC period		400		ns
t_{1MD1}	MDIO (PHY input) setup to rising edge of MDC	10			ns
t_{MD2}	MDIO (PHY input) hold from rising edge of MDC	10			ns
t_{MD3}	MDIO (PHY output) delay from rising edge of MDC		222		ns

Table 21. MDC/MDIO Timing Parameters

Reset Timing

The KSZ8041TL/FTL reset timing requirement is summarized in the following figure and table.

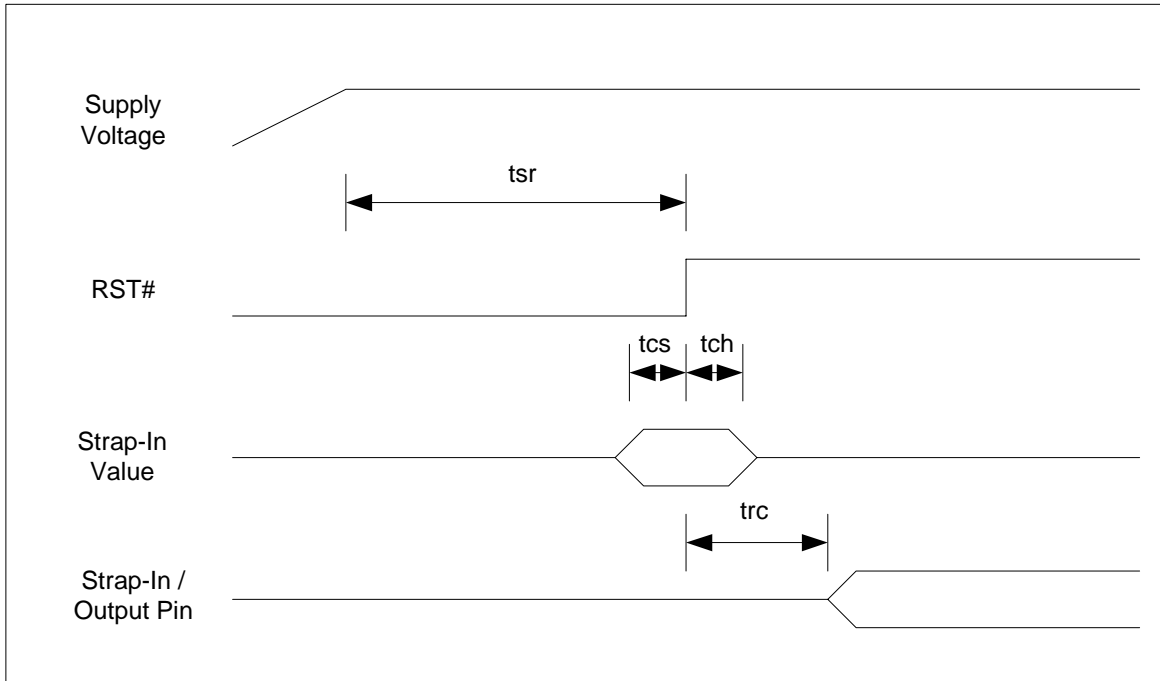


Figure 20. Reset Timing

Parameter	Description	Min	Max	Units
t_{sr}	Stable supply voltage to reset high	10		ms
t_{cs}	Configuration setup time	5		ns
t_{ch}	Configuration hold time	5		ns
t_{rc}	Reset to strap-in pin output	6		ns

Table 22. Reset Timing Parameters

After the de-assertion of reset, it is recommended to wait a minimum of 100 μ s before starting programming on the MIIM (MDC/MDIO) Interface.

Reset Circuit

The following reset circuit is recommended for powering up the KSZ8041TL/FTL if reset is triggered by the power supply.

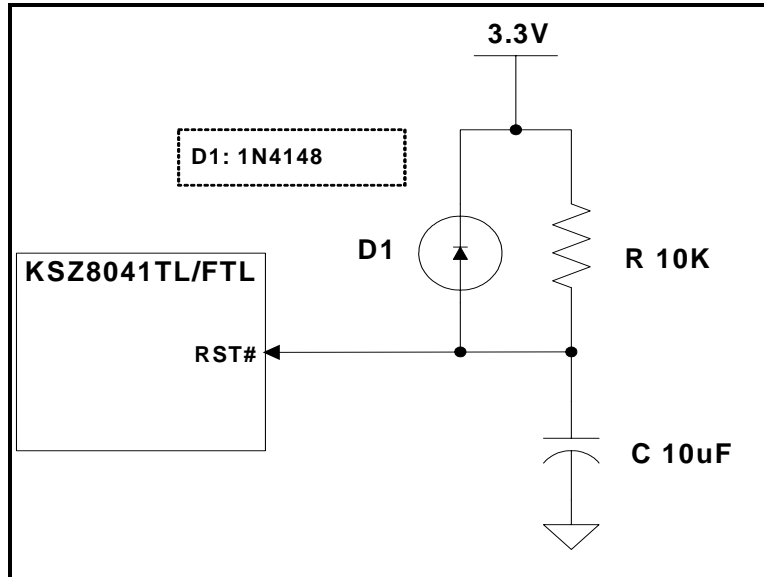


Figure 21. Recommended Reset Circuit

The following reset circuit is recommended for applications where reset is driven by another device (e.g., CPU or FPGA). At power-on-reset, R, C and D1 provide the necessary ramp rise time to reset the KSZ8041TL/FTL device. The RST_OUT_n from CPU/FPGA provides the warm reset after power up.

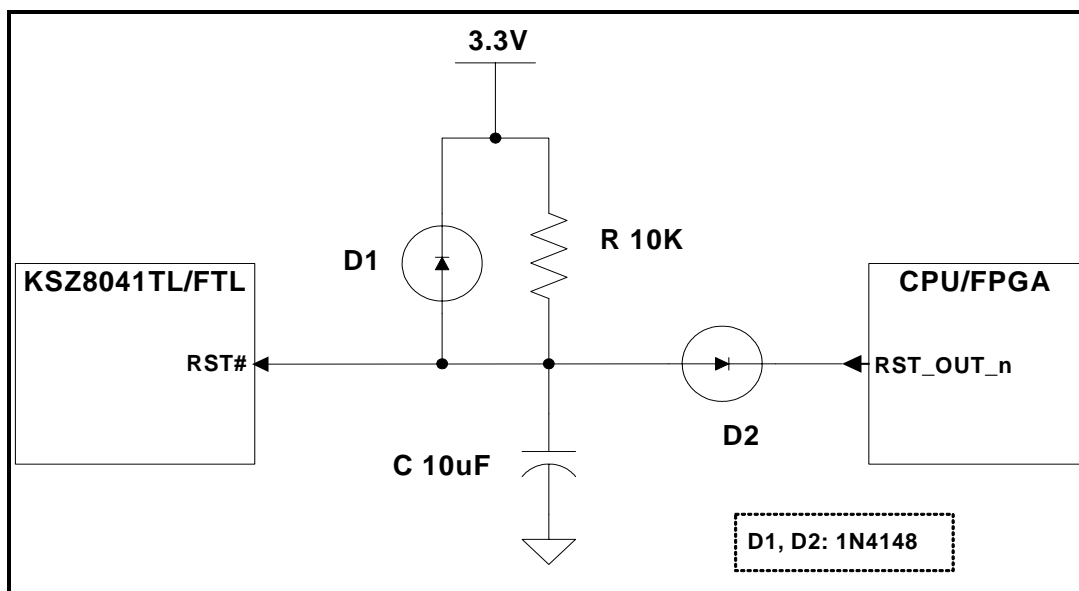


Figure 22. Recommended Reset Circuit for Interfacing with CPU/FPGA Reset Output

The following figure shows the reference circuits for pull-up, float and pull-down on the LED1 and LED0 strapping pins.

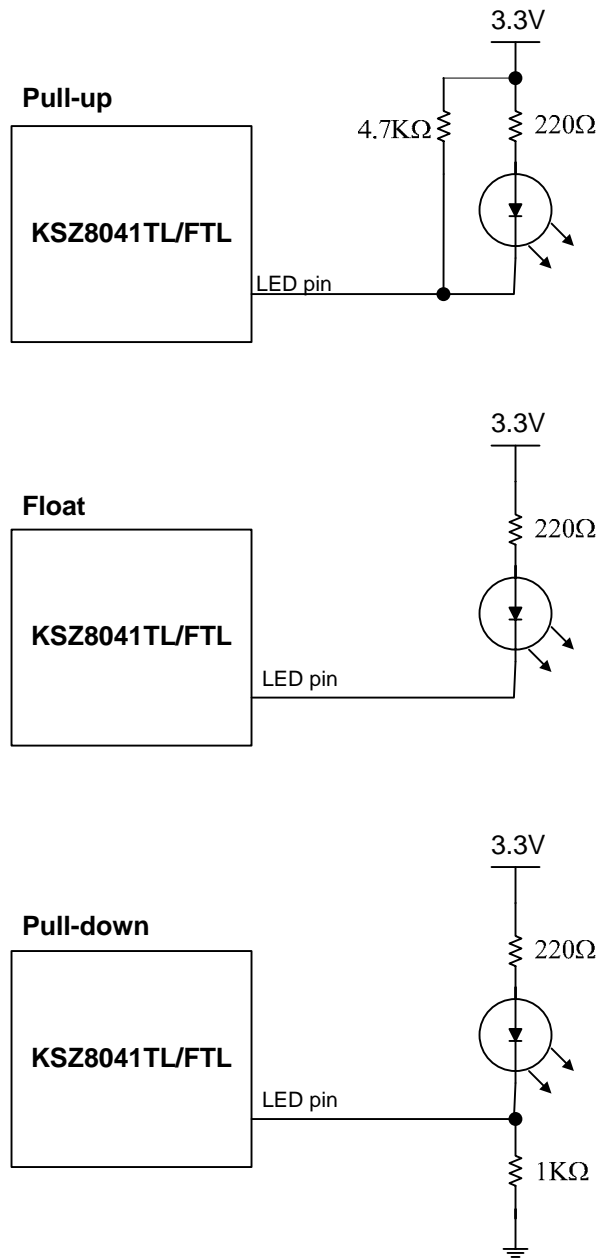


Figure 23. Reference Circuits for LED Strapping Pins

Selection of Isolation Transformer

A 1:1 isolation transformer is required at the line interface. An isolation transformer with integrated common-mode chokes is recommended for exceeding FCC requirements.

The following table gives recommended transformer characteristics.

Parameter	Value	Test Condition
Turns ratio	1 CT : 1 CT	
Open-circuit inductance (min.)	350 μ H	100mV, 100kHz, 8mA
Leakage inductance (max.)	0.4 μ H	1MHz (min.)
Inter-winding capacitance (max.)	12pF	
D.C. resistance (max.)	0.9 Ω	
Insertion loss (max.)	1.0dB	0MHz – 65MHz
HIPOT (min.)	1500Vrms	

Table 23. Transformer Selection Criteria

Magnetic Manufacturer	Part Number	Auto MDI-X	Number of Port
Bel Fuse	S558-5999-U7	Yes	1
Bel Fuse (Mag Jack)	SI-46001	Yes	1
Bel Fuse (Mag Jack)	SI-50170	Yes	1
Delta	LF8505	Yes	1
LanKom	LF-H41S	Yes	1
Pulse	H1102	Yes	1
Pulse (low cost)	H1260	Yes	1
Transpower	HB726	Yes	1
TDK (Mag Jack)	TLA-6T718	Yes	1

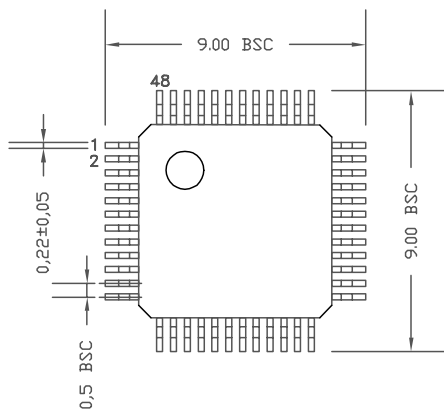
Table 24. Qualified Single Port Magnetics

Selection of Reference Crystal

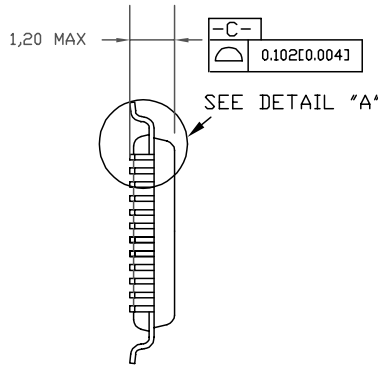
Characteristics	Value	Units
Frequency	25	MHz
Frequency tolerance (max)	\pm 50	ppm
Load capacitance (max)	20	pF
Series resistance	40	Ω

Table 25. Typical Reference Crystal Characteristics

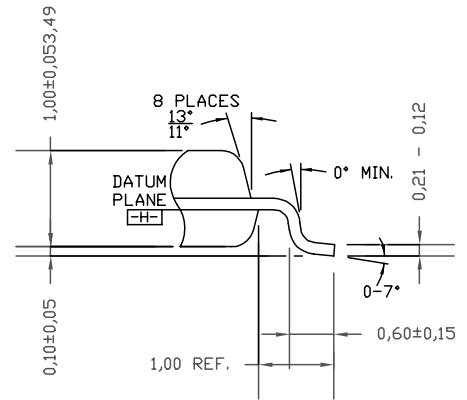
Package Information



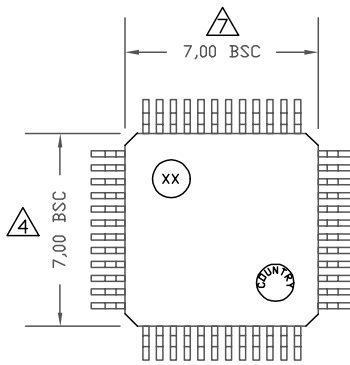
TOP VIEW



SIDE VIEW



DETAIL "A"



BOTTOM VIEW

NOTES:

1. DIMENSION DOES NOT INCLUDE MOLD FLASH OR PROTRUSIONS, EITHER OF WHICH SHALL NOT EXCEED 0.254MM.
2. LEAD DIMENSION DOES NOT INCLUDE DAMBAR PROTRUSION.
3. PACKAGE TOP MOLD DIMENSIONS ARE SMALLER THAN BOTTOM
4. MOLD DIMENSIONS AND TOP OF PACKAGE WILL NOT OVERHANG BOTTOM OF PACKAGE.

48-Pin (7mm x 7mm) TQFP Package

Note: ALL DIMENSIONS ARE IN MILLIMETERS.

MICREL, INC. 2180 FORTUNE DRIVE SAN JOSE, CA 95131 USA
TEL +1 (408) 944-0800 FAX +1 (408) 474-1000 WEB <http://www.micrel.com>

The information furnished by Micrel in this data sheet is believed to be accurate and reliable. However, no responsibility is assumed by Micrel for its use. Micrel reserves the right to change circuitry and specifications at any time without notification to the customer.

Micrel Products are not designed or authorized for use as components in life support appliances, devices or systems where malfunction of a product can reasonably be expected to result in personal injury. Life support devices or systems are devices or systems that (a) are intended for surgical implant into the body or (b) support or sustain life, and whose failure to perform can be reasonably expected to result in a significant injury to the user. A Purchaser's use or sale of Micrel Products for use in life support appliances, devices or systems is a Purchaser's own risk and Purchaser agrees to fully indemnify Micrel for any damages resulting from such use or sale.

© 2007 Micrel, Incorporated.