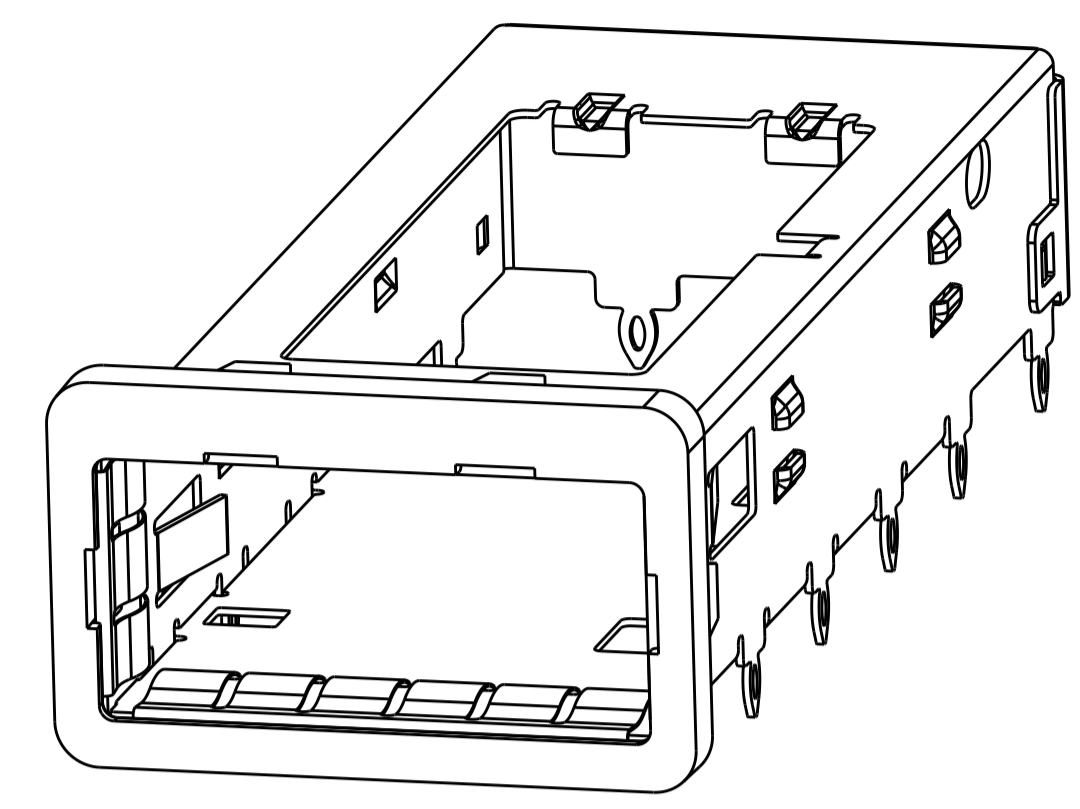
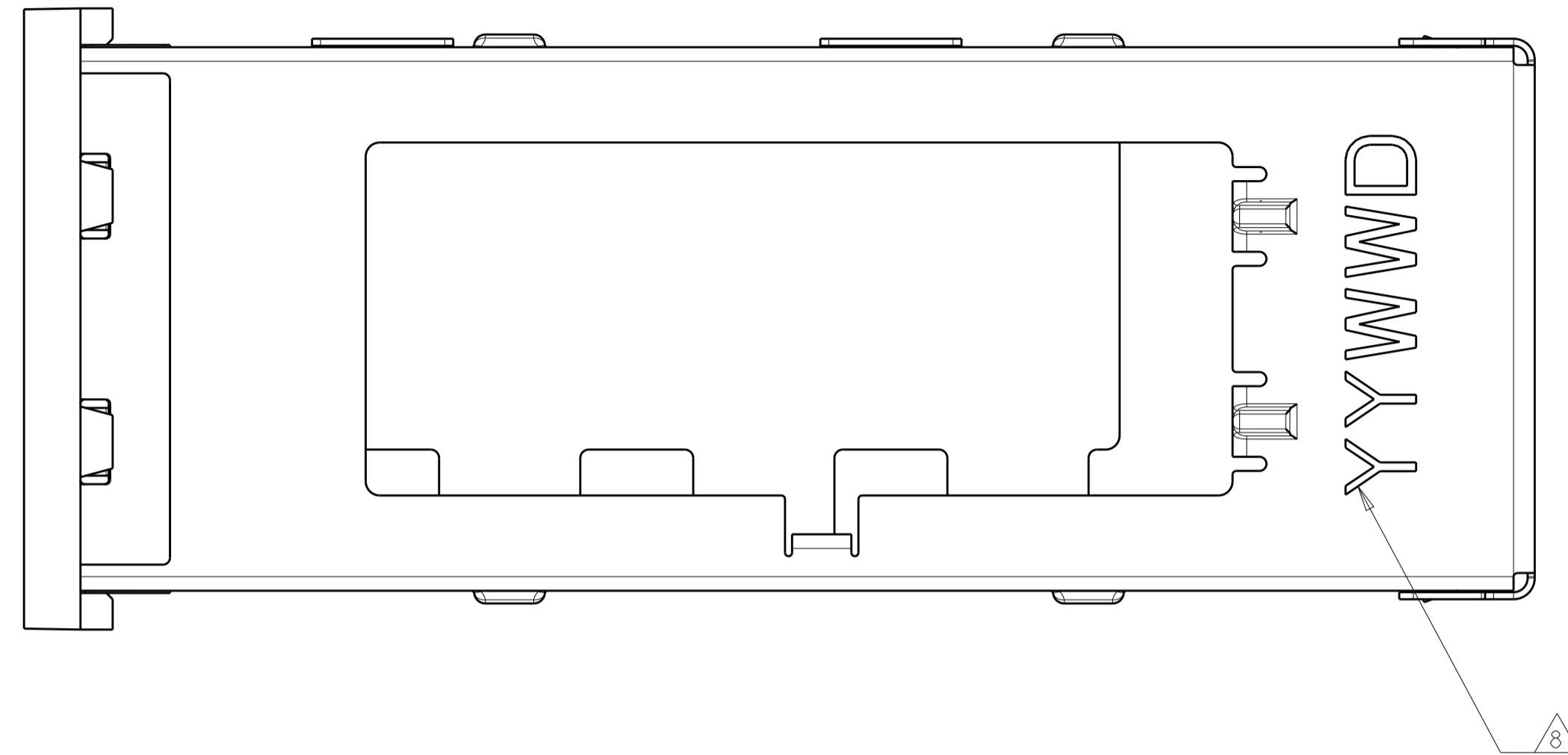


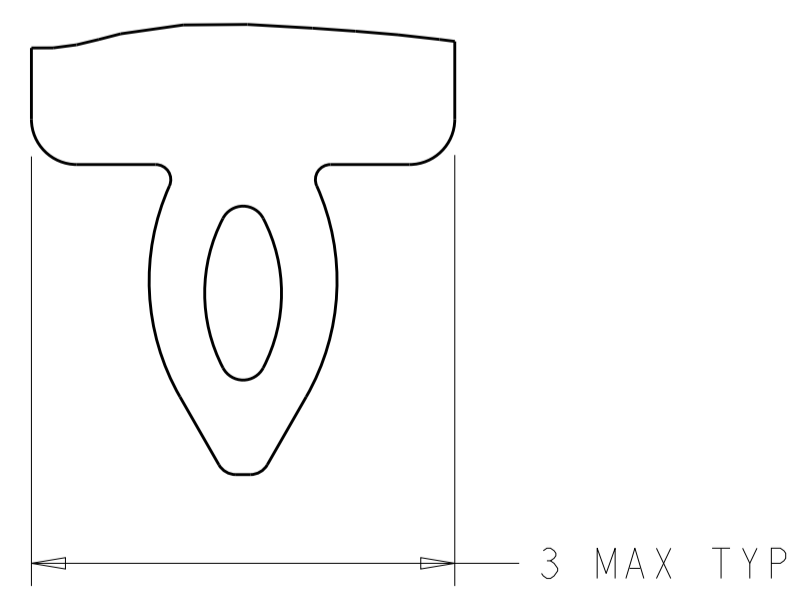
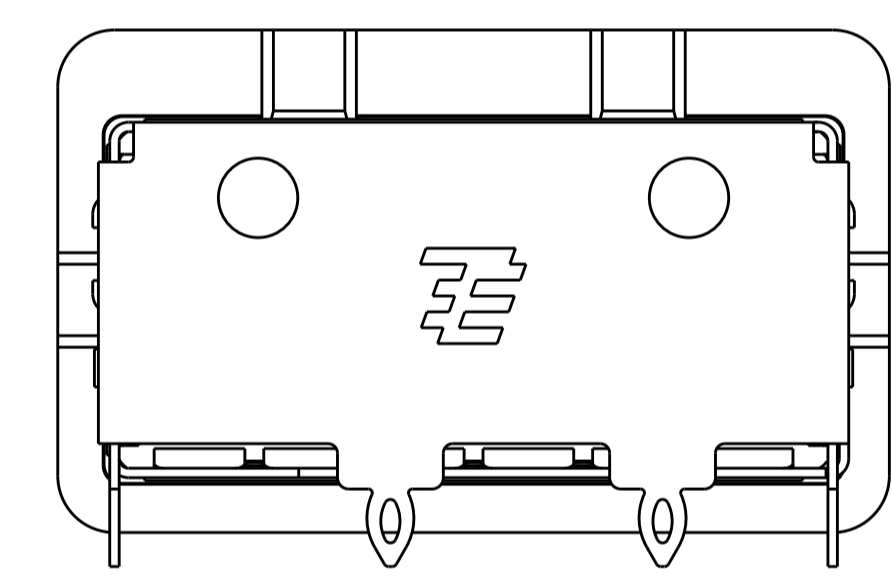
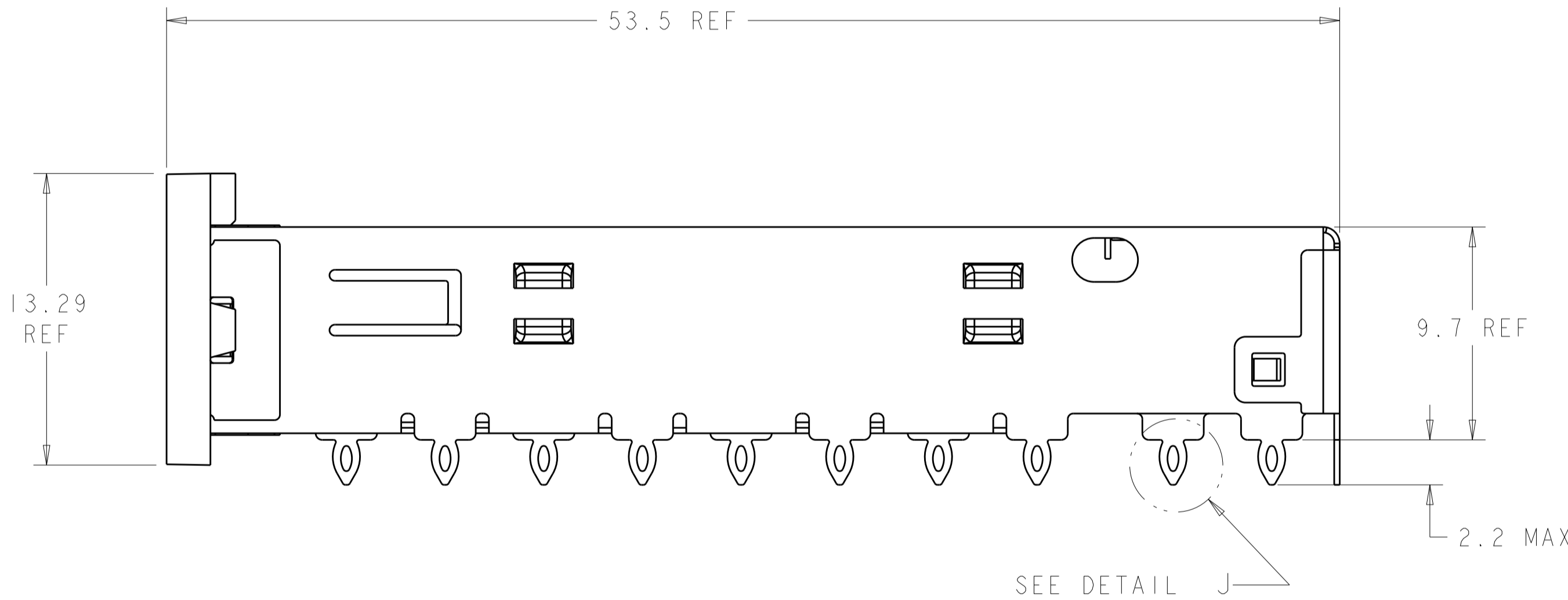
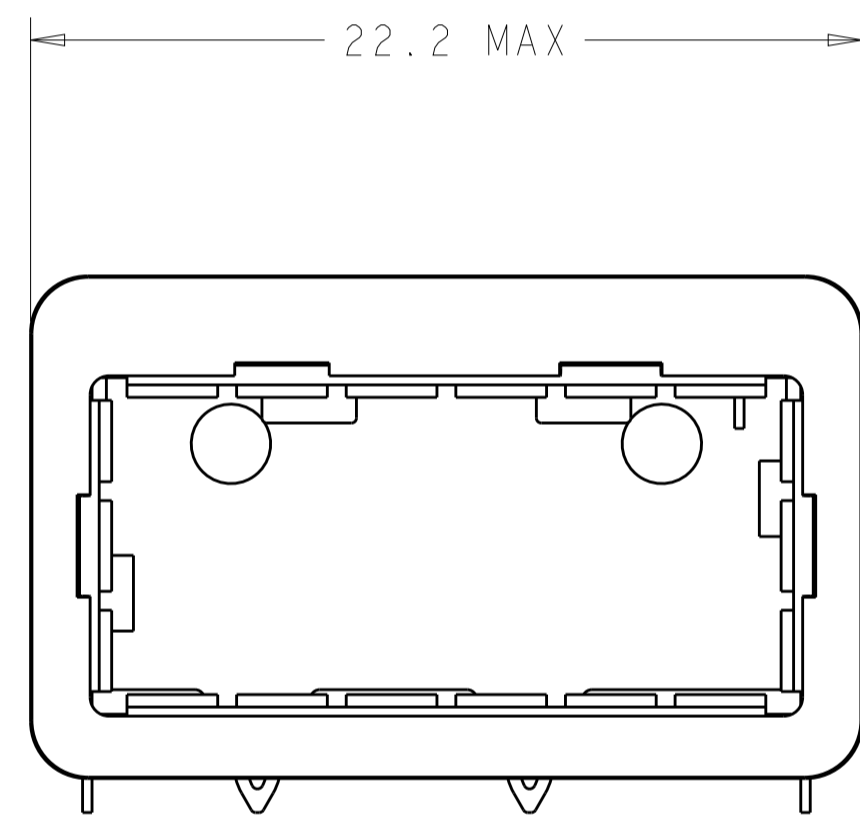
REVISIONS				
REV	LTN	DESCRIPTION	DATE	APVD
C	REV PER	ECR-13-013755	30AUG2013	RG AC



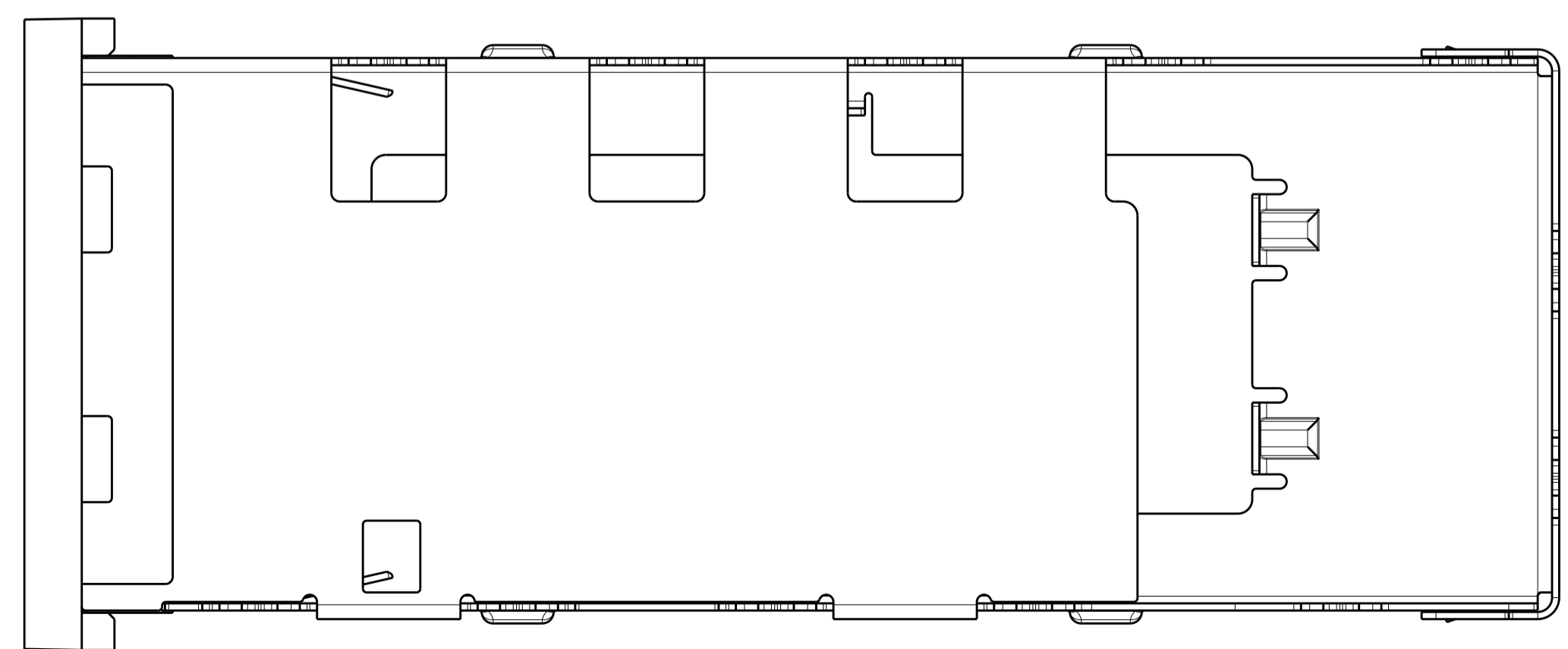
ISOMETRIC VIEW
SCALE 4:1



- 1. SURFACE TRACES PERMITTED WITHIN THIS LENGTH EXCEPT WHERE CAGE STANDOFFS, SHOWN IN DETAIL J, CONTACT PC BOARD.
- 2. MINIMUM PITCH DIMENSION.
- 3. MATES WITH QSFP MSA COMPATIBLE TRANSCEIVER.
- 4. REFERENCE APPLICATION SPEC 114-13218 FOR RECOMMENDED DRILL HOLE DIAMETER AND PLATING THICKNESS.
- 5. DATUM AND BASIC DIMENSIONS ESTABLISHED BY CUSTOMERS.
- 6. DIMENSION C IS THE NOMINAL THICKNESS OF CUSTOMER SUPPLIED PC BOARD,
SINGLE SIDED PC BOARD MINIMUM THICKNESS: 1.45
DOUBLE SIDED PC BOARD MINIMUM THICKNESS: 2.7.
- 7. DATUM [-A-] IS TOP SURFACE OF THE HOST BOARD.
- 8. DATE CODE (YYWWD) MARKED APPROXIMATELY AS SHOWN.
- 9. CAGE MATERIAL: 0.25 THICK NICKEL SILVER
EMI SPRING MATERIAL: COPPER ALLOY
FRONT FLANGE MATERIAL: ZINC ALLOY.
- 10. EMI SPRING FINISH: 2µm TIN
FRONT FLANGE FINISH: 3µm MIN THICK TIN OVER 1.27µm MIN THICK NICKEL OVER 5.08µm MIN THICK COPPER.



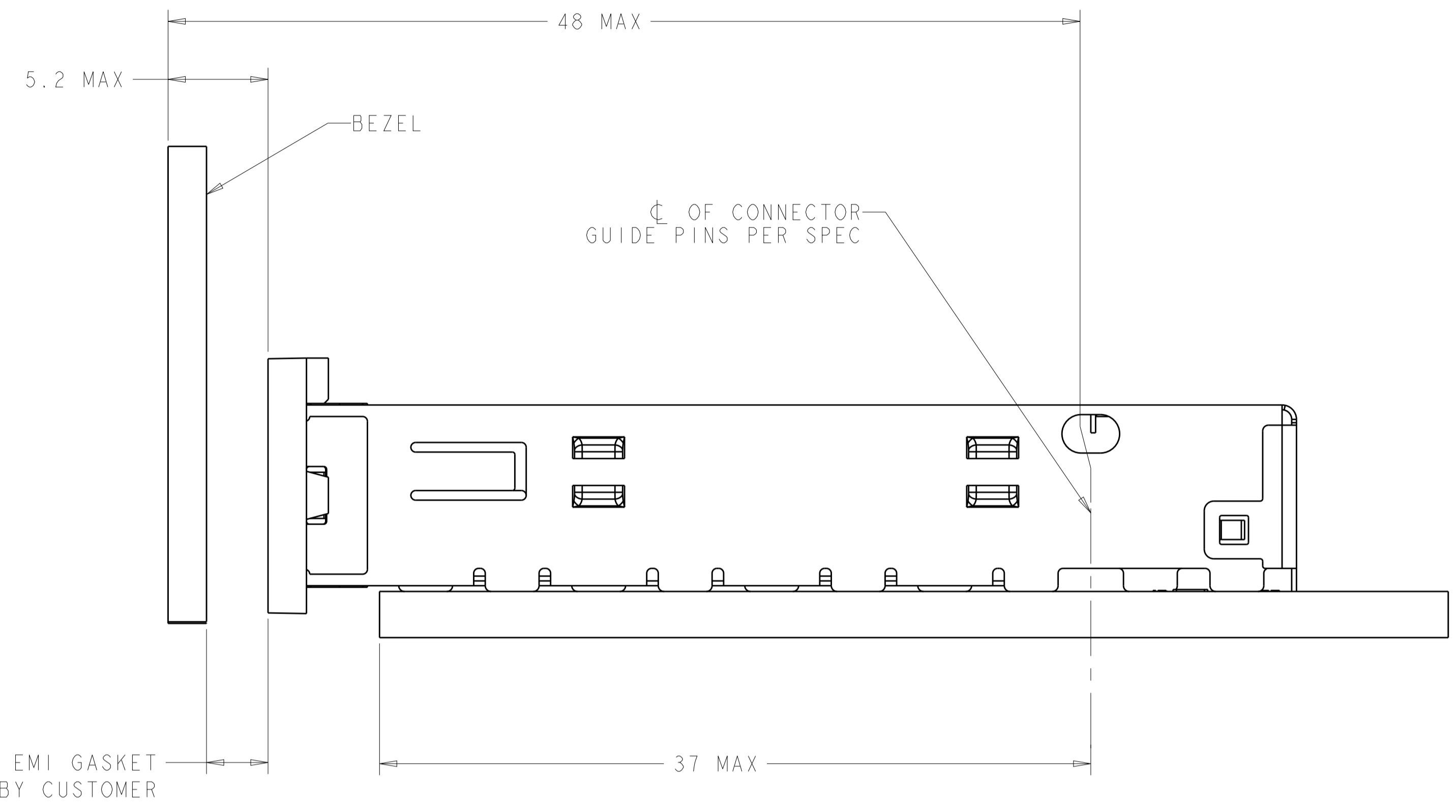
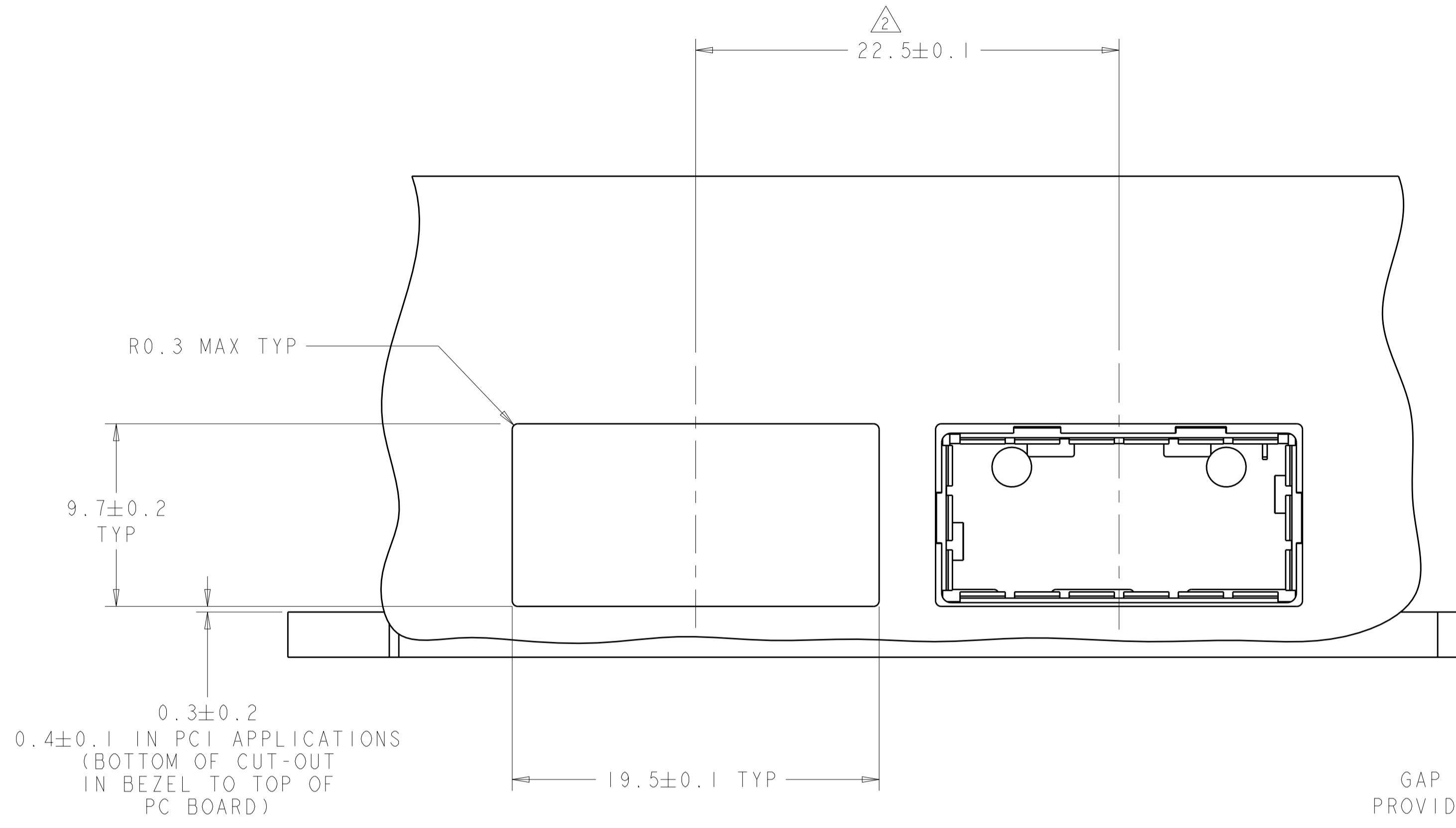
DETAIL J
SCALE 20:1



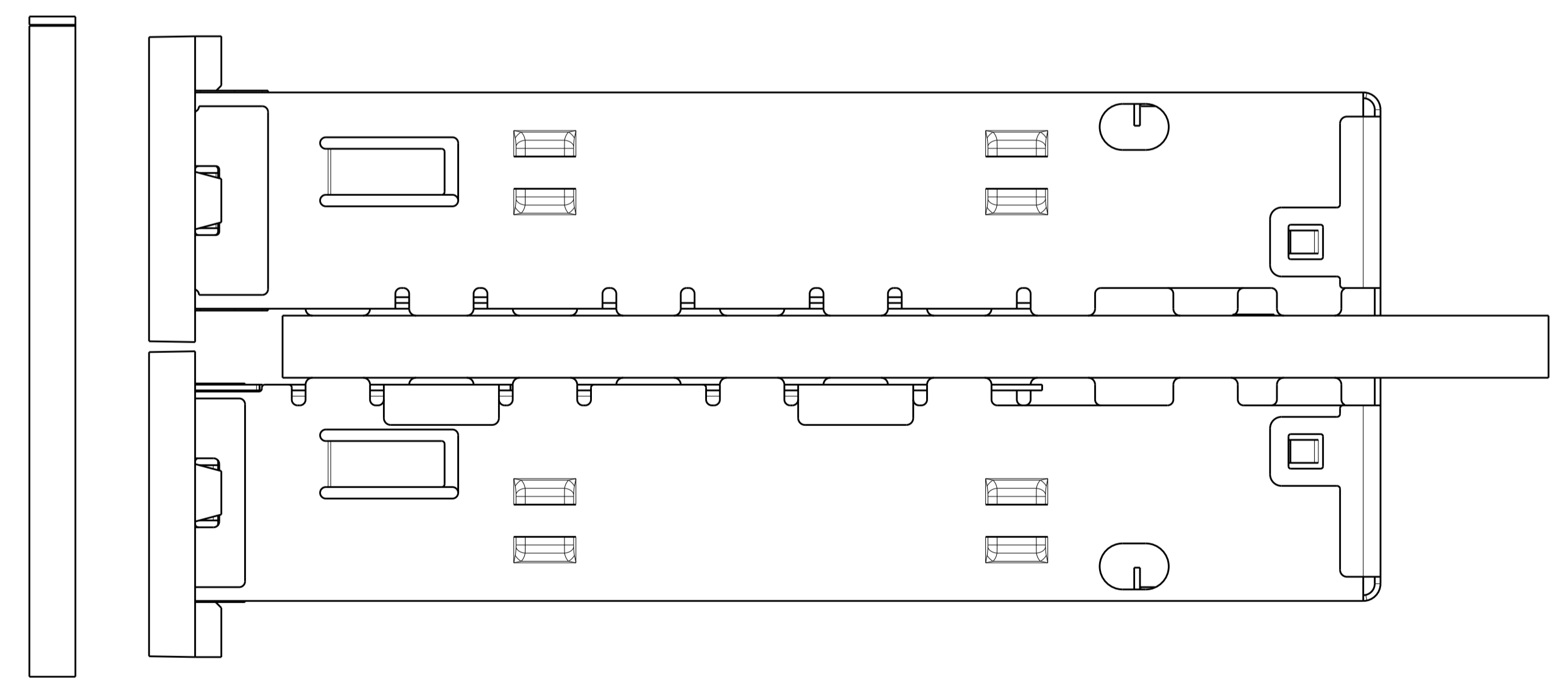
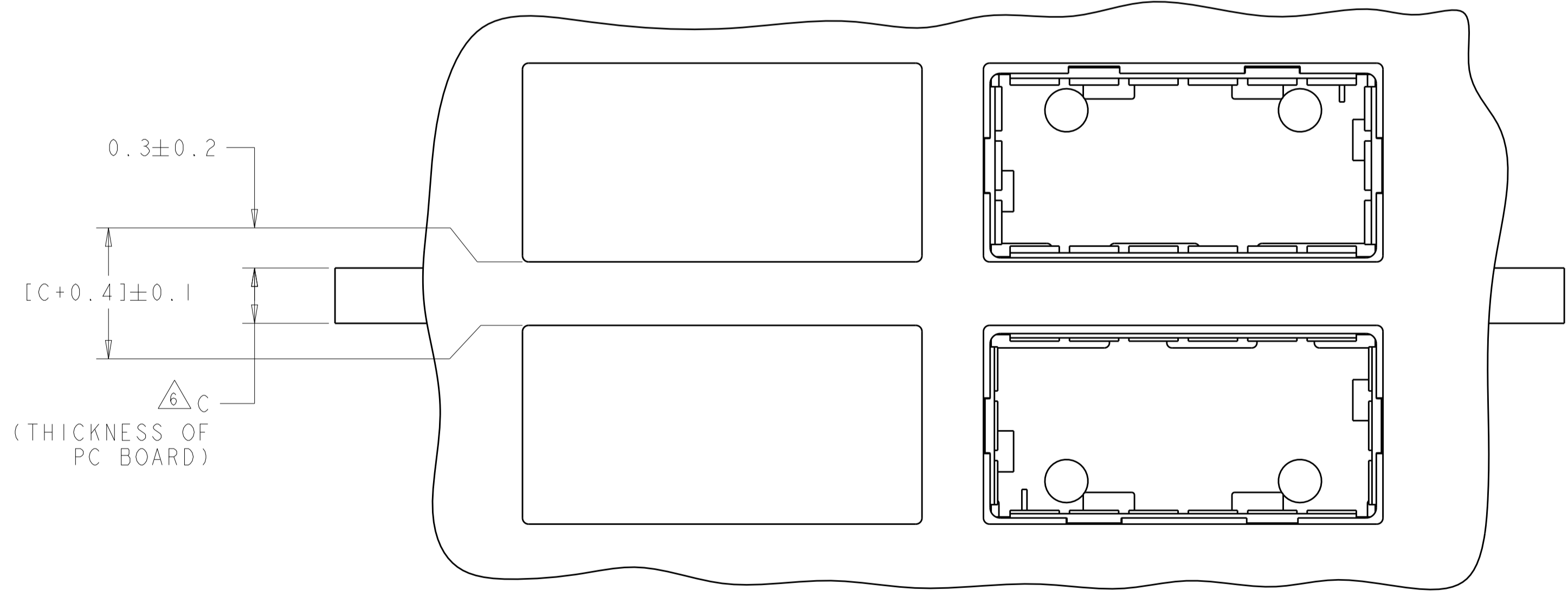
1888781-1
PART NUMBER

THIS DRAWING IS A CONTROLLED DOCUMENT.		OWN: C. VALENTINE 06FEB2007 CHK: E. BRIGHT 06FEB2007 APVD: E. BRIGHT 06FEB2007	TE Connectivity NAME: CAGE ASSEMBLY, BEHIND BEZEL, QSFP
DIMENSIONS:	TOLERANCES UNLESS OTHERWISE SPECIFIED:	PRODUCT SPEC: 108-2286 APPLICATION SPEC: 114-13218	
mm	0 PLC ±0.5 2 PLC ±0.13 3 PLC ±0.013 4 PLC ±0.0001 ANGLES ±	SIZE: CAGE CODE DRAWING NO: A100779C=1888781 WEIGHT: -	RESTRICTED TO: -
MATERIAL: 9	FINISH: 10	CUSTOMER DRAWING	SCALE: 5:1 SHEET 1 OF 4 REV C

REVISIONS				
P.	LTN.	DESCRIPTION	DATE	APVD.
-	-	SEE SHEET 1	-	-



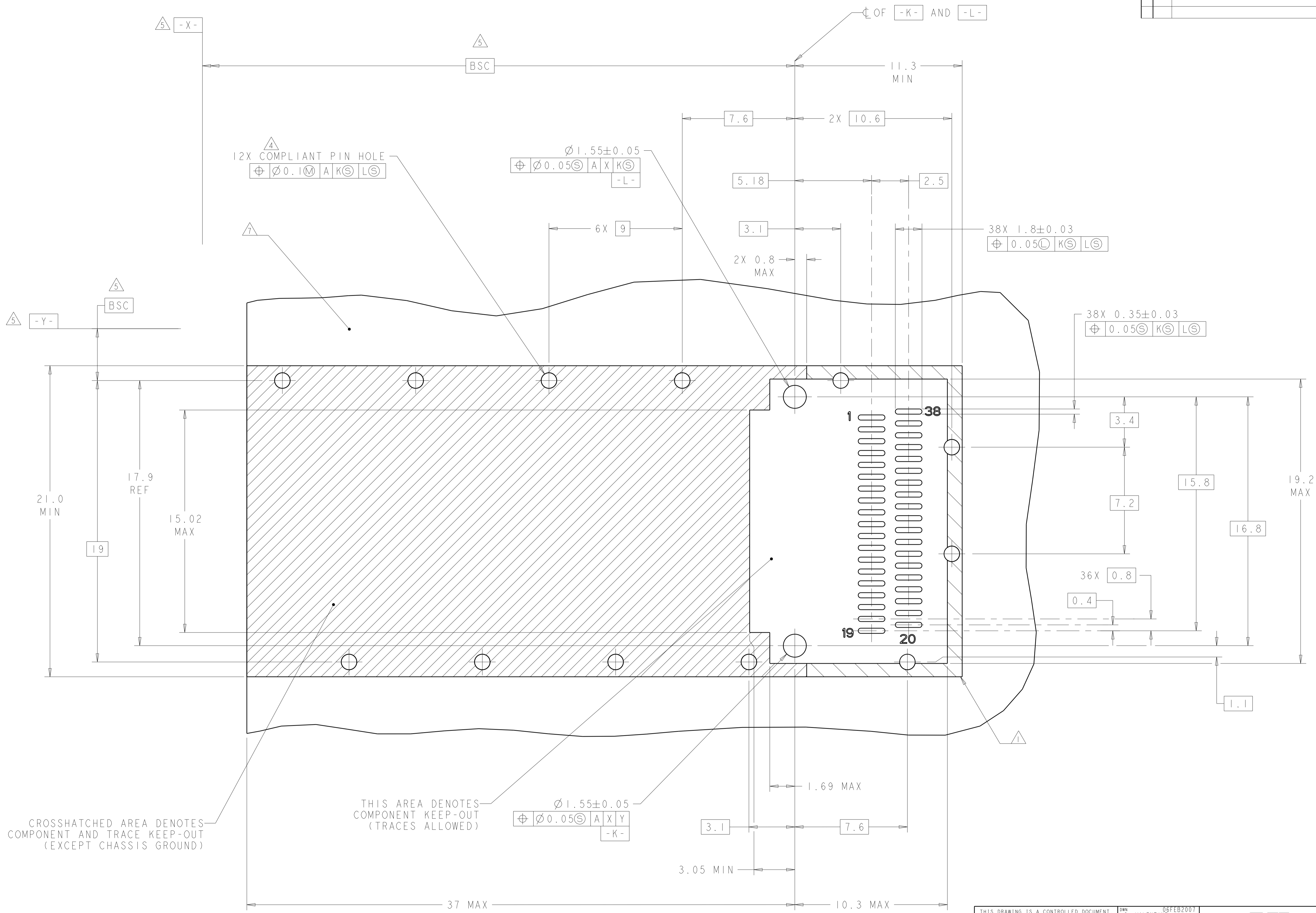
ONE SIDED CONFIGURATION



BELLY TO BELLY CONFIGURATION
 SIMILAR TO ONE SIDED EXCEPT
 WHERE NOTED

THIS DRAWING IS A CONTROLLED DOCUMENT.		OWN: C. VALENTINE 06FEB2007	TE Connectivity
DIMENSIONS: mm		CHK: E. BRIGHT 06FEB2007	
TOLERANCES UNLESS OTHERWISE SPECIFIED:		APVD: E. BRIGHT 06FEB2007	
0 PLC ± 1 PLC ±0.5 2 PLC ±0.13 3 PLC ±0.013 4 PLC ±0.0001 ANGLES ±		NAME: CAGE ASSEMBLY, BEHIND BEZEL, QSFP	
MATERIAL: -		PRODUCT SPEC: 108-2286	RESTRICTED TO: -
FINISH: -		APPLICATION SPEC: 114-13218	SIZE: A1
CUSTOMER DRAWING		WEIGHT: -	CAGE CODE: 100779
		SCALE: 5:1	DRAWING NO: C=1888781
		SHEET: 2 OF 4	REV: C

REVISIONS				
P.	LTN.	DESCRIPTION	DATE	APVD.
-	-	SEE SHEET 1	-	-



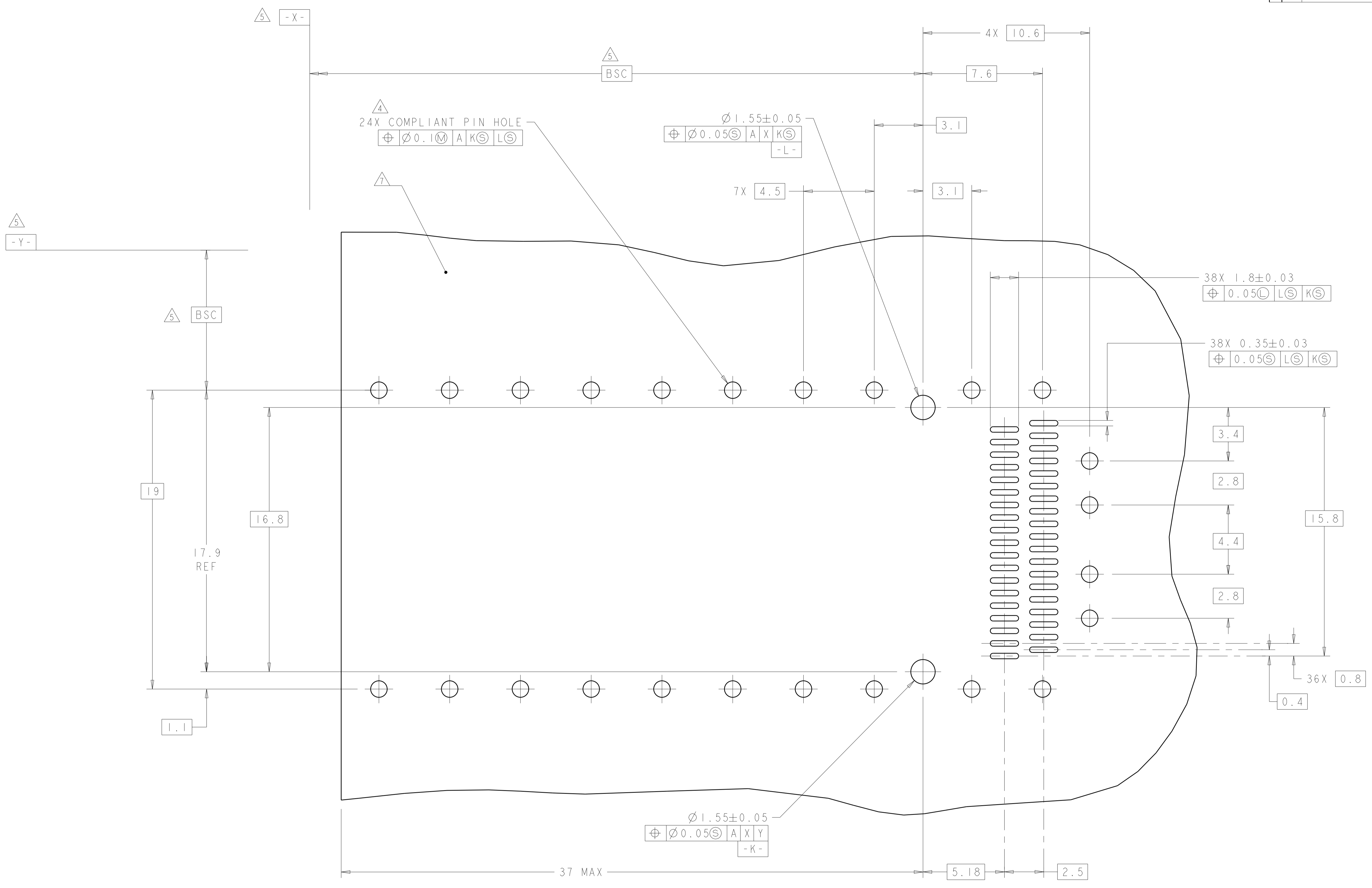
CROSSHATCHED AREA DENOTES COMPONENT AND TRACE KEEP-OUT (EXCEPT CHASSIS GROUND)

THIS AREA DENOTES COMPONENT KEEP-OUT (TRACES ALLOWED)

RECOMMENDED SINGLE-SIDE PC BOARD LAYOUT
 SCALE 8:1

THIS DRAWING IS A CONTROLLED DOCUMENT.		DWN C. VALENTINE 06FEB2007 CHK E. BRIGHT 06FEB2007 APVD E. BRIGHT 06FEB2007	TE Connectivity
DIMENSIONS: mm 	TOLERANCES UNLESS OTHERWISE SPECIFIED: 0 PLC ±0.5 1 PLC ±0.13 2 PLC ±0.013 3 PLC ±0.013 4 PLC ±0.0001 ANGLES ±0.0001	NAME CAGE ASSEMBLY, BEHIND BEZEL, QSFP PRODUCT SPEC 108-2286 APPLICATION SPEC 114-13218 WEIGHT CUSTOMER DRAWING	

REVISIONS				
P.	LTN.	DESCRIPTION	DATE	APPD.
-	-	SEE SHEET 1	-	-



RECOMMENDED PCB LAYOUT
 BELLY TO BELLY CONFIGURATION
 SEE SHEET 3 FOR KEEP OUT AREAS
 SCALE 8:1

THIS DRAWING IS A CONTROLLED DOCUMENT.		DWN: C. VALENTINE 06FEB2007 CHK: E. BRIGHT 06FEB2007 APPD: E. BRIGHT 06FEB2007	TE Connectivity
DIMENSIONS: mm 	TOLERANCES UNLESS OTHERWISE SPECIFIED: 0 PLC ±0.5 1 PLC ±0.13 2 PLC ±0.013 3 PLC ±0.001 4 PLC ±0.0001 ANGLES ±0.0001	NAME: CAGE ASSEMBLY, BEHIND BEZEL, QSFP PRODUCT SPEC: 108-2286 APPLICATION SPEC: 114-13218 WEIGHT: - CUSTOMER DRAWING	