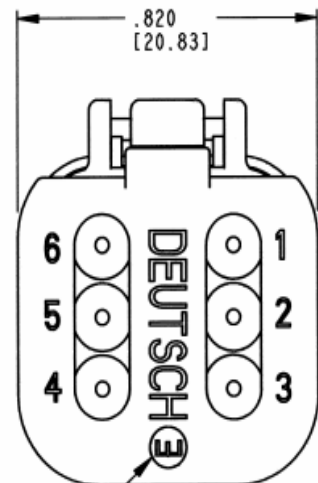
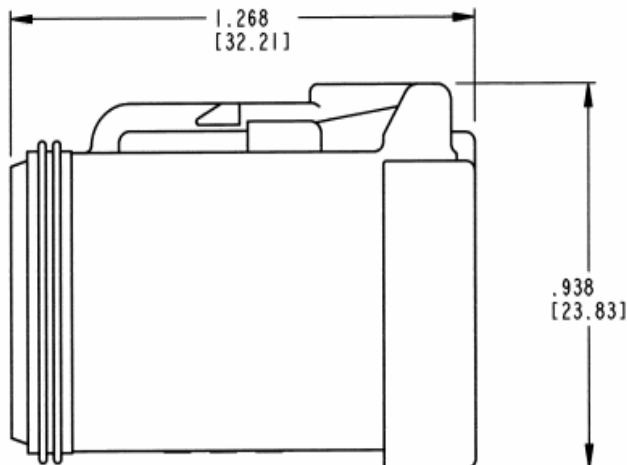
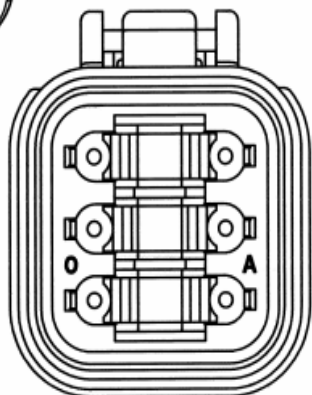


CONTACT SIZE	MIN. INSUL O.D.	MAX. INSUL O.D.	WIRE RANGE [mm <sup>2</sup> ]
16	.053 [1.35]	.120 [3.05]	14-20 AWG [2.0-0.5]

REV B DT06-6S-CE05

REVISIONS

SYM	DESCRIPTION	DATE	APPROVED
NC	NEW RELEASE PER E.O. P15980	3/31/99	R.D.R.
A	REVISED PER E.O. P19360	9/8/06	R.D.R.
B	REVISED PER E.O. P21409	7-20-12	RDR



DESIGNATES -E- WIRE SEALS

5. MATERIAL - HOUSING: PLASTIC; COLOR: BLACK  
SEALS: RUBBER

4. THIS PLUG MATES WITH DT04-6P-\*\*\*\* (\*\*\*\* = ALL MODIFICATIONS).  
CONSULT FACTORY FOR MODIFICATIONS.

3. FOR CONTACTS AND WIRE PERFORMANCE AND APPLICATION CHARACTERISTICS  
SEE ENVELOPE DRAWINGS 0425-015-0000 AND 0425-017-0000.


2. DIMENSIONS ARE ±.025(0.63) UNLESS OTHERWISE SPECIFIED.

NOTES: 1. DIMENSIONS ARE IN INCHES [MILLIMETERS].

SIGNATURE & DATE	
DR	D. SPENCER 18MAR99
CHK	<i>[Signature]</i> 7/3/2012
PE	<i>[Signature]</i> 7/11/12
APPD	<i>[Signature]</i> 7/11/12
SCALE 3.25:	WT

6 WAY PLUG  
CE05 MOD.  
DT SERIES

ENVELOPE

EP	MATL. CODE
 3850 INDUSTRIAL AVE. HEMET, CA 92545	
<b>B</b>	<b>DT06-6S-CE05</b>
DWG SIZE	CODE 11139 SHEET   OF

