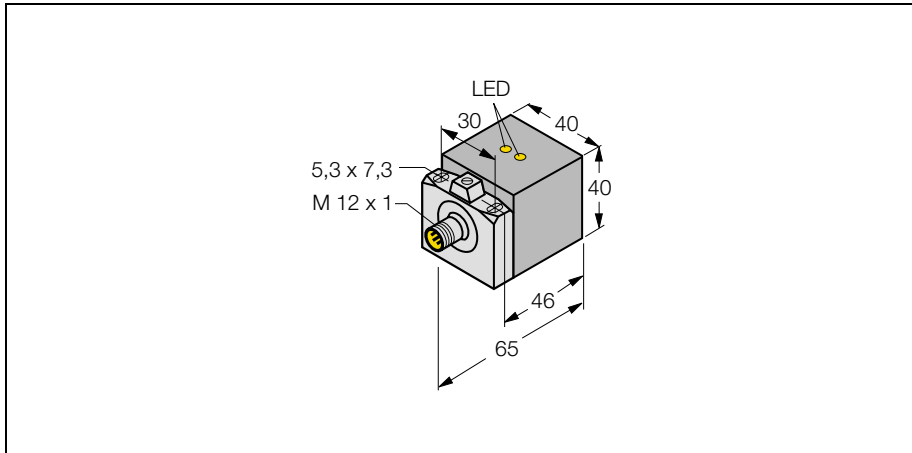


Inductive sensor uproX®

Bi20U-CA40-AP6X2-H1141



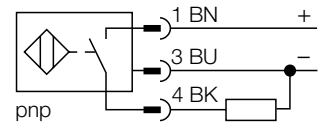
- Rectangular, height 40mm
- Turnable sensing head (5 positions)
- Plastic, duroplast
- Factor 1 for all metals
- Magnetic field immune
- Increased temperature range
- High switching frequency

| | |
|-------------|------------------------|
| Type | Bi20U-CA40-AP6X2-H1141 |
| Ident-No. | 1627200 |

3-wire DC, 10-30VDC
Normally open, PNP-output
Connector, M12x1 eurocon

| | |
|------------------------------------|-------------|
| Rated operating distance Sn | 20,0 mm |
| Mounting mode | flush |
| Hysteresis H | 3...15 % |
| Max. relative temperature drift | ≤ 15 % v.E |
| Min. repeat accuracy | ≤ 2 % v.E |
| Operation temperature | -30...85 °C |

Wiring diagram



| | |
|---|------------------------|
| Rated operational voltage (DC) U_e | 10...30 VDC |
| Max. ripple | ≤ 10 % U _{SS} |
| Rated operational current (DC) I _e | 200 mA |
| No-load current I ₀ | ≤ 15,0 mA |
| Max. OFF-state current | ≤ 0,1 mA |
| Max. switching frequency | ≤ 0,25 kHz |
| Rated insulation voltage | 0,5 kV |
| Output function | normally open, PNP |
| Short-circuit protection | yes, cyclic |
| Max. voltage drop at I _e | ≤ 1,8 V |
| Wire brakage and reverse polarity protection | yes, complete |
| Degree of protection / protection class | IP 67; 2 |

Function principles

Inductive sensors serve for wear-free and non contact detection of metal objects. Uprox Factor 1-sensors have considerable advantages because of their patented fer-rite-less 3-coil system. They detect all metals with the same operating distance, are magnetic field immune and have high operating distances.

| | |
|----------------------|--------------------------|
| Housing style | rectangular; CA40 |
| Dimensions | 48,0 x 40,0 x 40,0 mm |
| Housing material | metal; GD-AISI 12 |
| Active face | plastic; Duroplast |
| Wiring | connector; M12x1 eurocon |
| Vibration resistance | 55 Hz (1 mm) |
| Shock resistance | 30 x g (11 ms) |

| | |
|----------------------------------|-------------|
| Supply voltage indication | LED; green |
| Switching status indication | LED; yellow |