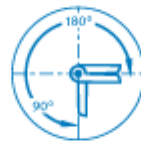
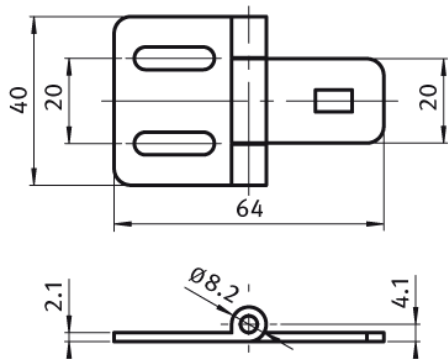
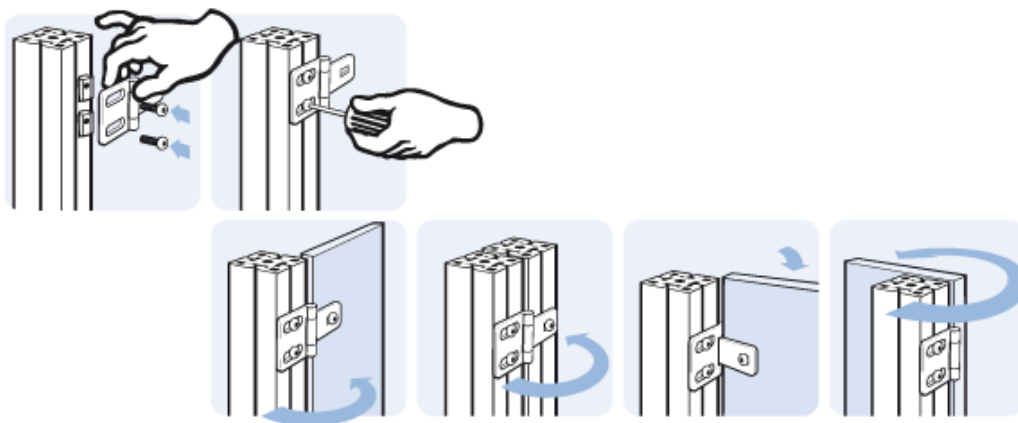


Light Metal Hinge

Non-detachable
Description To hinge panels or aluminum profiles
Installation 3 screws ISO 7380 - M5 x 8, 1 screw DIN 903 - M5
Set x 16, 1 Nut - DIN 934 M5, 1 washer DIN 125 - 5.3
 - black zinc plated (RoHS compliant)
Material Steel
Surface Black powder coated



Hinge	Weight [g]	F _{Amax} [N]	F _{Rmax} [N]
	39.0	250	75



Can be used on both systems

RS Article no.	Product Description	Compatible with groove size	Product system	Structural element type
7675847	Set Light Metal Hinge, steel black	6 / 8	30 / 40	Hinge