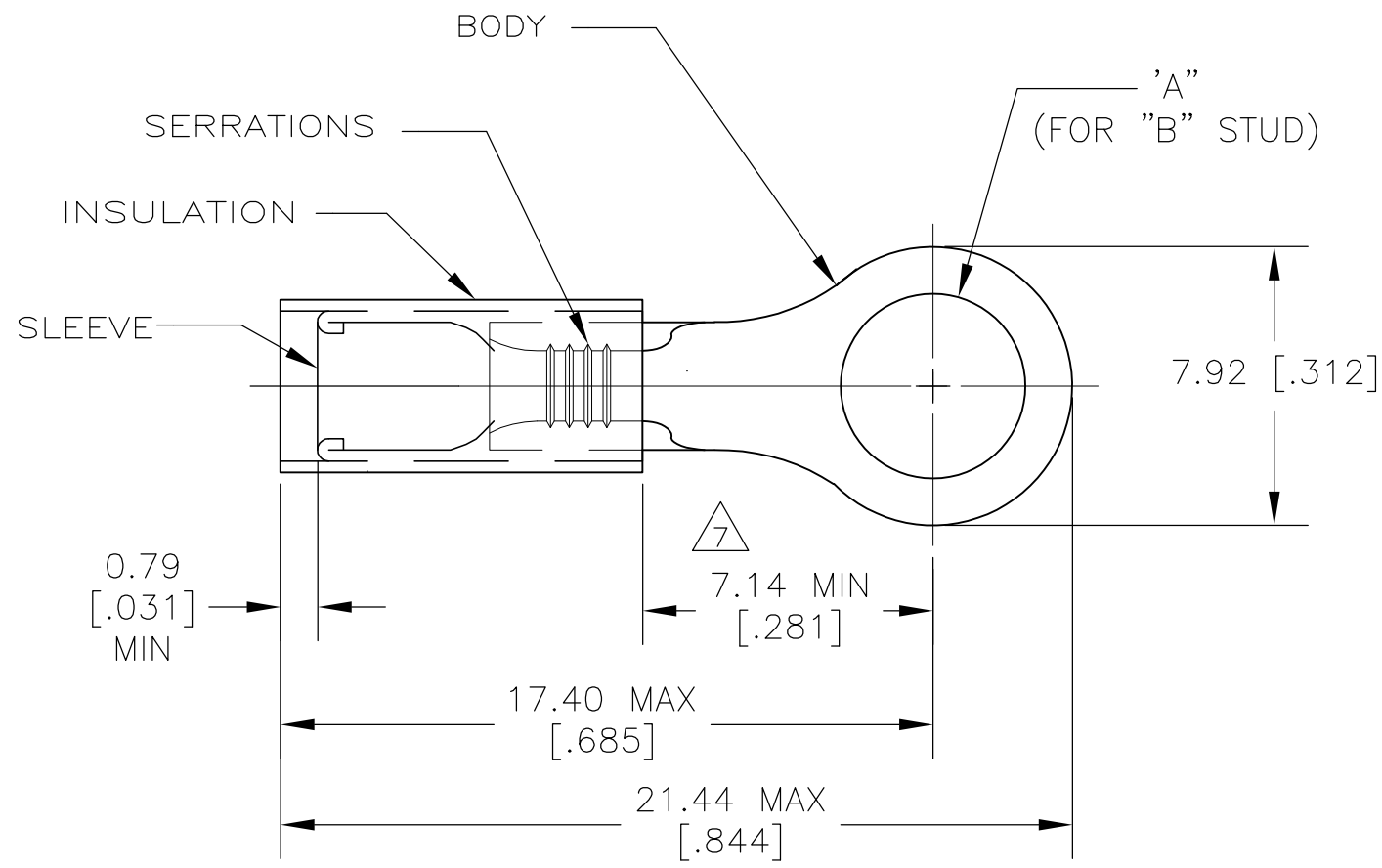


THIS DRAWING IS UNPUBLISHED. RELEASED FOR PUBLICATION  
 © COPYRIGHT BY TYCO ELECTRONICS CORPORATION. ALL RIGHTS RESERVED.

LOC	DIST	REVISIONS					
		P	LTR	DESCRIPTION	DATE	DWN	APVD
G	14		L4	REV PER ECR-09-021581	30SEPT09	JR	TM

- 1 STAMP " AMP 18-16"
- 2 FOR 1.40 TO 3.43 [.055 TO .135] WIRE INSULATION DIA.
- 3 TONGUE MATERIAL THK: 0.79±0.05 [.031±.002]
- △4 BODY: MATERIAL: COPPER ASTM B152  
FINISH: NICKEL PL. (QQ-N-290)  
0.0076 [.0003] AVG EXT THK.
- △5 SLEEVE: MATERIAL: COPPER ASTM B152  
FINISH: NICKEL PL. (QQ-N-290)  
0.0076 [.0003] AVG EXT THK.
- △6 INSULATION: MATERIAL: TEFLON (ASTM D3295)  
COLOR: ORANGE
- △7 DIMENSION APPLIES FROM EDGE OF WIRE BARREL TO CENTER OF STUD HOLE
- △8 PACKED 1000 PIECES
- △9 PACKED 5000 PIECES
- △10 PACKED 100 PIECES
- △11 PRELIMINARY - NOT FOR PRODUCTION



#10	5.00±0.008 [.197±.003]	---	9-50836-1 △10 △11
#10	5.00±0.008 [.197±.003]	50836-3 △9	50836-1 △8
#8	4.34±0.008 [.171±.003]	50836-2 △9	50836 △8
"B"	"A"	MYLAR TAPE PART NUMBER	LOOSE PIECE PART NUMBER

<b>TEC INCORPORATED</b> <b>CUSTOMER SERVICE SYSTEMS</b>		MAX RECOMMENDED OPERATING TEMPERATURE: 288°C [550° F]	THIS DRAWING IS A CONTROLLED DOCUMENT.		DWN R.GRZYBOWSKI 18SEPT09 CHK T MICHIELUTTI 18SEPT09 APVD M.PERCHERKE 18SEPT09	<b>Tyco Electronics</b> Tyco Electronics Corporation Harrisburg, PA 17105-3608		
FOR ADDITIONAL PRODUCT INFORMATION OR COPIES OF DRAWINGS AND TECHNICAL DOCUMENTS PRODUCT INFORMATION CENTER 1-800-522-6752	FOR APPLICATION TOOLING ASSISTANCE CENTER TOOLING INFORMATION 1-800-722-1111	VOLTAGE RATING: 300V MAX	DIMENSIONS: MM [INCHES]	TOLERANCES UNLESS OTHERWISE SPECIFIED: 0 PLC ± - 1 PLC ± - 2 PLC ± 0.20[.008] 3 PLC ± - 4 PLC ± - ANGLES ± -	NAME TERMINAL, PIDG , STRATO-THERM, RING TONGUE, WIRE SIZE: 18-16			RESTRICTED TO -
FOR ORDER ENTRY 1-800-526-5142	THIS DRAWING IS A CONTROLLED DOCUMENT FOR AMP INCORPORATED. IT IS SUBJECT TO CHANGE AND THE CONTROLLING ENGINEERING ORGANIZATION SHOULD BE CONTACTED FOR THE LATEST REVISION.		MATERIAL △4 △5 △6	FINISH △4 △5 △6	APPLICATION SPEC -	SIZE A3	CAGE CODE 00779	DRAWING NO C-50836
CUSTOMER DRAWING					SCALE 5:1	SHEET 1 OF 1	REV L4	