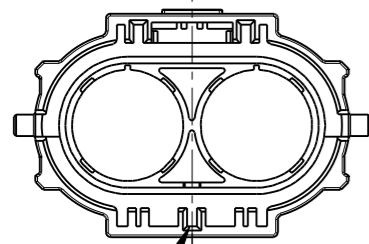


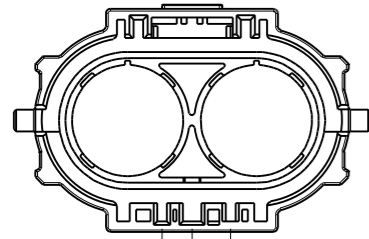
REV	ECN	DESCRIPTION	DATE	MODIFIED
1		PRE-RELEASE	15/08/13	Eric
2			09/09/14	Eric
3		ADD WIRE DIAMETER	15/09/15	Robin Yuan

SCALE 3:5

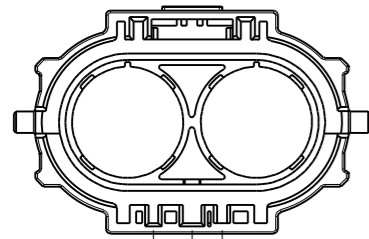
CUSTOMER DRAWING



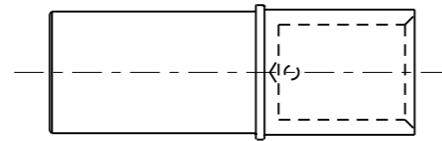
KEYWAY  
HVSL 1000 06 2 A  
CODING A



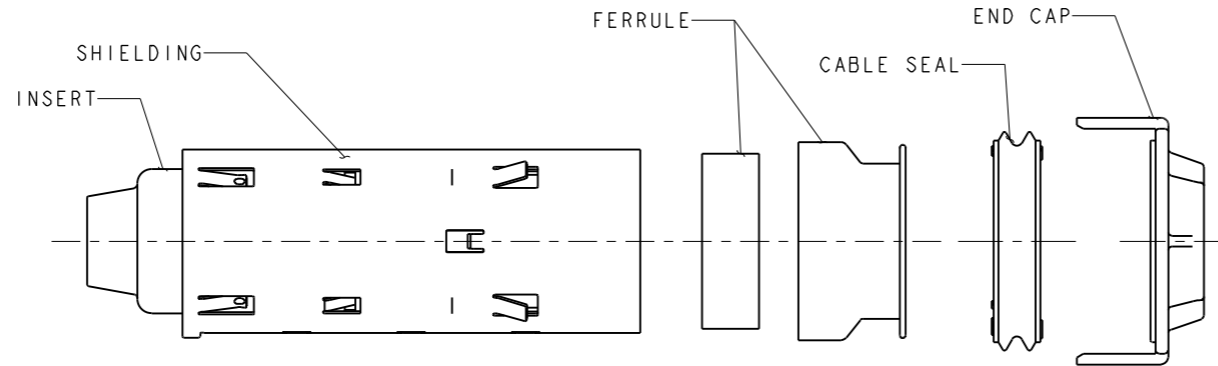
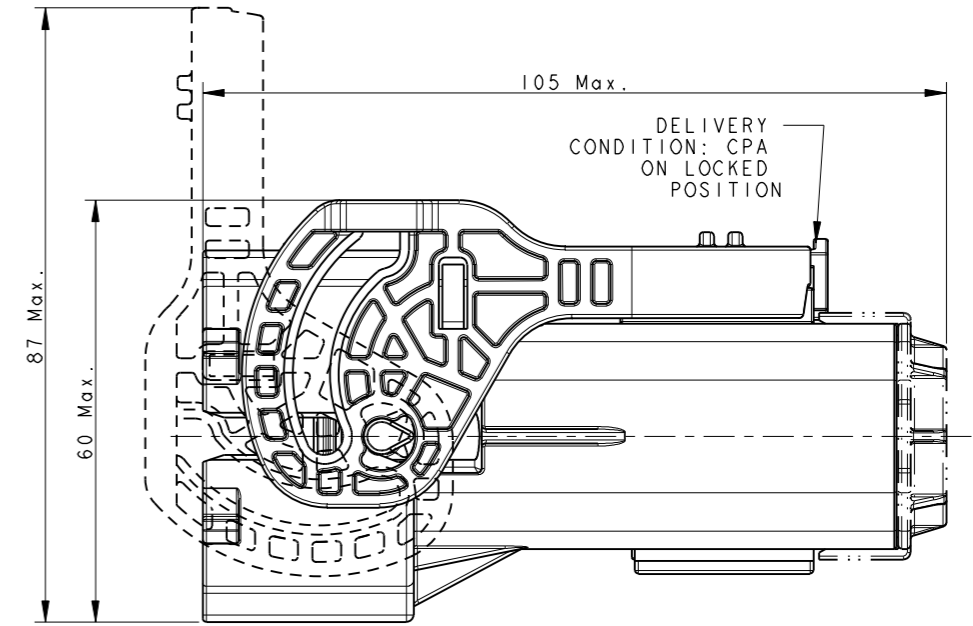
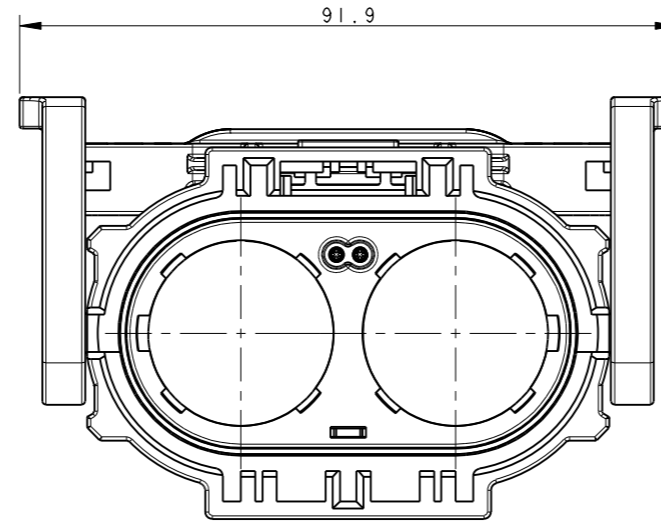
7 9  
HVSL 1000 06 2 B  
CODING B



9 7  
HVSL 1000 06 2 C  
CODING C



SOCKET CONTACT  
P/N: C4200036161 --70 mm<sup>2</sup> WIRE  
C4200036162 --50 mm<sup>2</sup> WIRE  
C4200036163 --35 mm<sup>2</sup> WIRE  
C4200036164 --25 mm<sup>2</sup> WIRE



KIT OF SOCKET INSERT  
P/N: C4220036011 --70 mm<sup>2</sup> WIRE OD=19.0 ± 0.7MM  
C4220036012 --50 mm<sup>2</sup> WIRE OD=16.5 ± 0.4MM  
C4220036013 --35 mm<sup>2</sup> WIRE OD=14.2 ± 0.4MM  
C4220036014 --25 mm<sup>2</sup> WIRE OD=11.9 ± 0.3MM

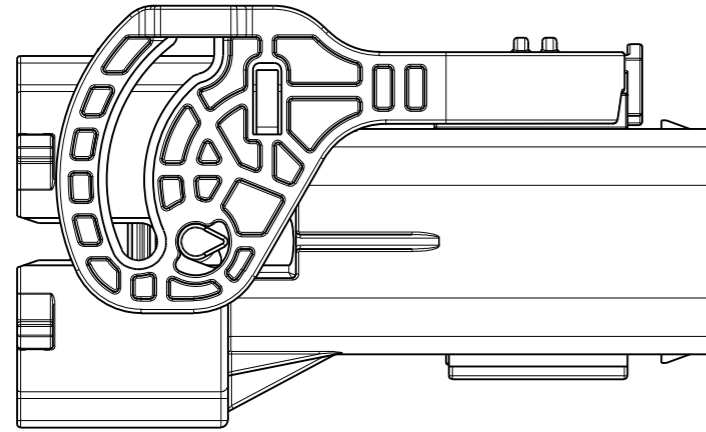
NOTES:

- MATERIAL & FINISH:  
PLASTIC BODY: THERMOPLASTICS UL 94V-0 ORANGE COLOR  
SOCKET CONTACT: COPPER ALLOY SILVER PLATED  
SHIELDING: COPPER ALLOY TIN PLATED  
FERRULE: STAINLESS STEEL  
CABLE SEAL: SILICONE RUBBER
- ELECTRONICAL CHARACTERISTICS:  
HIGH VOLTAGE RATED 1000 V DC MAX.  
CURRENT RATED 250 A MAX.  
WITHSTANDING VOLTAGE 3000 V AC  
PRODUCTS ARE COMPLIANCE WITH EN 60664-1 POLLUTION II
- ENVIRONMENT CHARACTERISTICS:  
IP67 IP6K9K RATED (WHEN MATING)  
IP2XB RATED FOR FINGER TOUCH-PROOF
- DELIVERY WITHOUT CONTACTS. THE CONTACTS SHOULD BE ORDERED SEPARATELY.
- SEE APCD-TD-073 FOR ASSEMBLY INSTRUCTION.

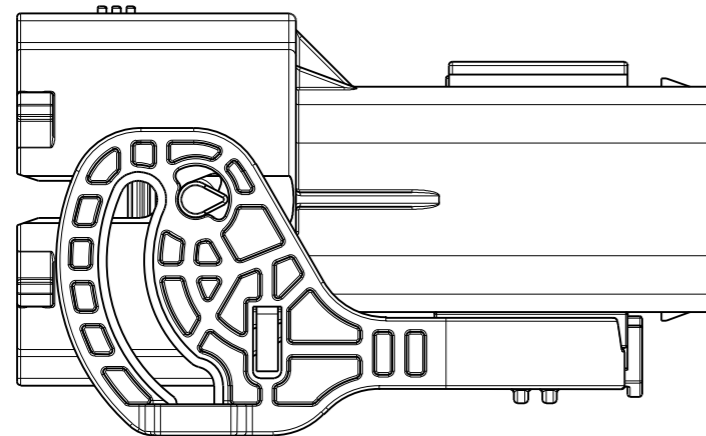
C-HVSL1000062X

C-HVSL1000062X

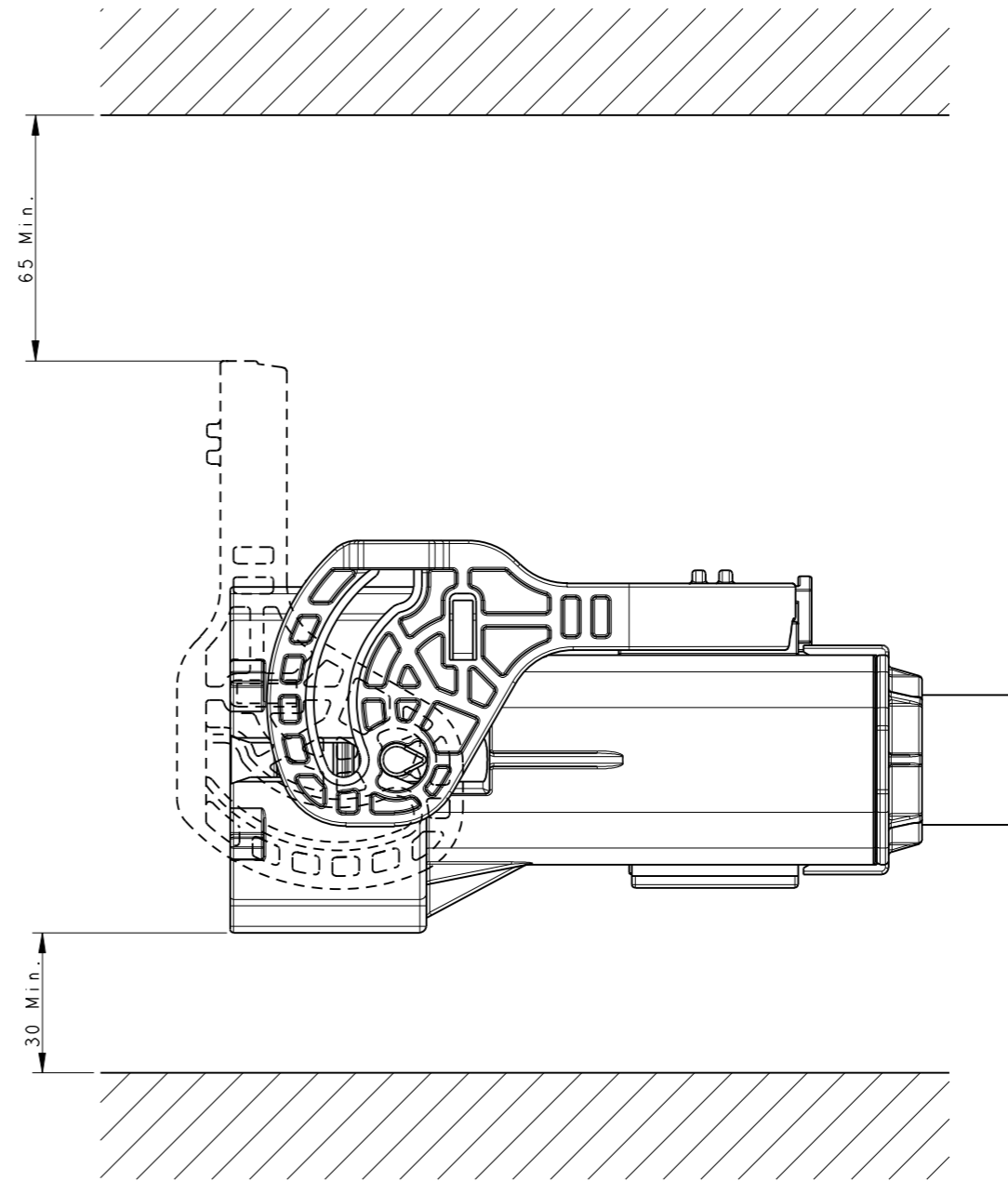
<b>DIMENSIONS</b> ANSI Y14.5M UNITS: MM Pro/E FILE	<b>TOLERANCES</b> <del>.X ±0.3</del> <del>.XX ±0.10</del> ANGLES ±0.5°	<b>PROJECTION</b> 	TITLE Amphenol Pcd Shenzhen ENGR Robin Yuan 15/09/15 CHKD APPD		
			HVSL 1000 06 2 X STRAIGHT PLUG ASSEMBLY		
<b>ORIGINAL</b> NOT FOR CUSTOMER DISTRIBUTION	THIS DOCUMENT CONTAINS PROPRIETARY INFORMATION WHICH IS THE CONFIDENTIAL PROPERTY OF AMPHENOL PCD SHENZHEN		SIZE	DWG NO.	REV
			A3	C-HVSL1000062X	3
			CODE: 58982	SCALE: 1:1	SHEET 1 OF 2



*HVSL 1000 06 2 X*



*HVSL 1000 06 2 X RL  
(REVERSE LEVER)*



INSTALLATION CLEARANCE  
ACC. TO USCAR 25

SIZE	DWG NO.	REV
A3	C-HVSL1000062X	3
CODE: 58982	SCALE: 1:1	SHEET 2 OF 2