

Sealed Top and Rear, Rear Mounting Sunlight Viewable and NVG Option

Key Characteristics

Functional

- 10mm mounting
- 30°, 60° or 100° viewing angle
- Removal from chassis possible without removing terminations

Adaptable

- Customer specials available on request
- Viewing angle options

Resilient

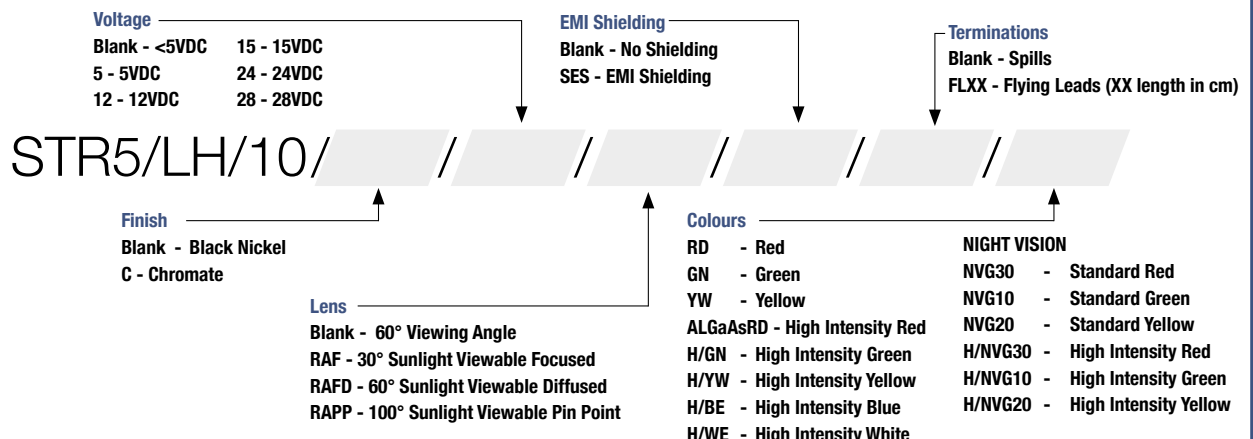
- IP68 sealed
- Flat glass lens
- -55°C to +100°C operating and storage temp



Specifications

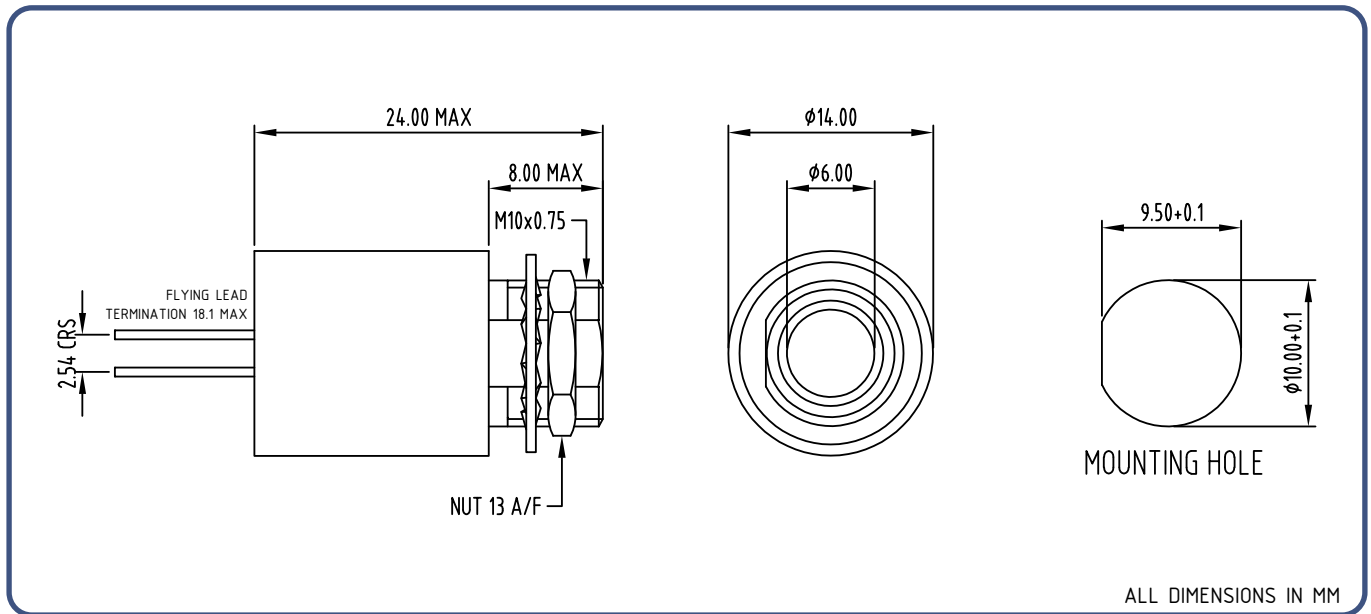
COLOURS											
	Luminous Intensity			White	Red	Yellow	Green	Blue	Voltage		Current (mA)
	Std	RAPP	RAF						Forward	Reverse	
	mcd	mcd	mcd								
Std	50	5	50	x	✓	x	x	x	1.9	5	20
	50	5	50	x	x	✓	x	x	2.1	5	20
	50	5	50	x	x	x	✓	x	2.2	5	20
	40	4	40	x	✓	✓	✓	x	5,12,15,24,28	5,12,15,24,28	15
High Intensity	150	15	120	x	✓	x	x	x	1.9	5	20
	800	125	750	x	x	✓	x	x	2.1	5	20
	2500	1000	2000	✓	x	x	✓	x	3.3	5	20
	600	40	450	x	x	x	x	✓	3.3	5	20
	100	10	90	x	✓	x	x	x	5,12,15,24,28	5,12,15,24,28	15
	600	100	550	x	x	✓	x	x	5,12,15,24,28	5,12,15,24,28	15
	2000	750	1500	✓	x	x	✓	x	5,12,15,24,28	5,12,15,24,28	15
	450	30	350	x	x	x	x	✓	5,12,15,24,28	5,12,15,24,28	15

Ordering Information



Example: STR5/LH/10/C/5/SES/FL30/RD - Chromate Body & Nut, 5VDC, EMI Shielding, 30cm Flying Leads, Red

Example: STR5/LH/10/12/RAPP/H/GN - Black Nickel Body & Nut, 12VDC, 100° Sunlight Viewable Pin Point, High Intensity Green



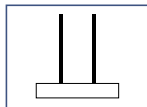
Technical Information

Terminations	Spills - Iron Alloy Silver Plated. Flying Leads - Spec 44 Wire
Body and Nut	Aluminium Alloy, Black Nickel Finish. Optional Chromate Finish
Washer	Corrosion Resistant Stainless Steel
Sealing Ring	Fluorocarbon Rubber (Viton)
Chassis Thickness	3.7mm max
Recommended Mounting Torque	1Nm
Mean Time Before Failure	90,000 hours

Termination Options



Flying Leads



Spills

