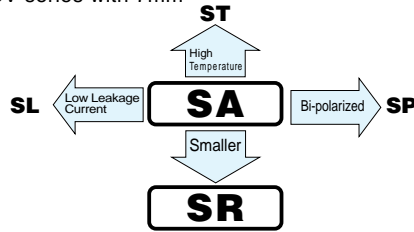


SA series
7mmL, For General Purposes

- Standard miniature series with 7mm height.

SR series
7mmL, High CV

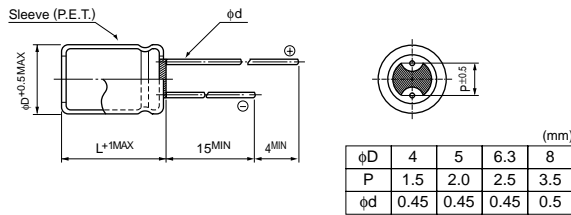
- Higher CV series with 7mm height.



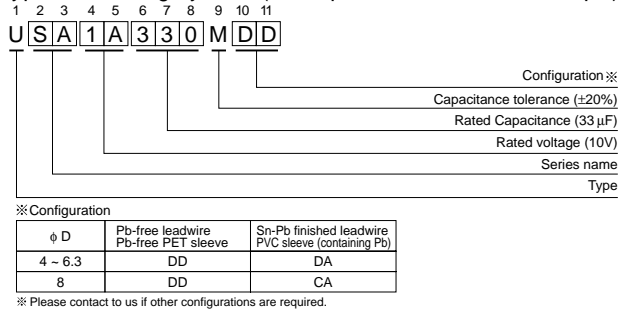
Specifications

Item	SA series	SR series								
Category Temperature Range	-40 ~ +85°C	-40 ~ +85°C								
Rated Voltage Range	6.3 ~ 50V	4 ~ 50V								
Rated Capacitance Range	0.1 ~ 220μF	0.1 ~ 470μF								
Capacitance Tolerance	±20% at 120Hz, 20°C									
Leakage Current	After 2 minutes' application of rated voltage, leakage current is not more than 0.01CV or 3 (μA), whichever is greater.									
tan δ	Measurement frequency : 120Hz, Temperature : 20°C									
	Rated voltage (V)	4	6.3	10	16	25	35	50		
Stability at Low Temperature	Measurement frequency : 120Hz									
	Rated voltage (V)	4	6.3	10	16	25	35	50		
	Impedance ratio	Z-25°C / Z+20°C	6	4	3	2	2	2		
Endurance	Z-40°C / Z+20°C		12	8	6	4	3	3		
	Z-25°C / Z+20°C		6	4	3	2	2	2		
Shelf Life	Z-40°C / Z+20°C		12	8	6	4	3	3		
	After 2000 hours' application of rated voltage at 85°C, capacitors meet the characteristic requirements listed at right.		Capacitance change		Within ±20% of initial value		tan δ		200% or less of initial specified value	
	After leaving capacitors under no load at 85°C for 1000 hours, they meet the specified value for endurance characteristics listed above.		Leakage current		Initial specified value or less					
Marking	Printed with white color letter on black sleeve.									

Radial Lead Type



Type numbering system (Example : SA series : 10V 33μF)



Dimensions

Cap.(μF)	V(Code) Series Code	4 (0G)		6.3 (0J)		10 (1A)		16 (1C)		25 (1E)		35 (1V)		50 (1H)	
		SR	SA	SR	SA	SR	SA	SR	SA	SR	SA	SR	SA	SR	
0.1	0R1													4×7	4×7
0.22	R22													1.0	1.0
0.33	R33													4×7	4×7
0.47	R47													2.3	2.3
1	010													4×7	4×7
2.2	2R2													3.5	3.5
3.3	3R3													4×7	4×7
4.7	4R7													5.0	5.0
10	100							4×7	4×7	5×7	4×7	5×7	4×7	4×7	4×7
22	220		4×7	4×7	5×7	4×7	5×7	28	28	33	28	36	31	6.3×7	5×7
33	330	4×7	5×7	4×7	5×7	4×7	6.3×7	44	44	51	48	57	52	8×7	6.3×7
47	470	4×7	5×7	4×7	6.3×7	5×7	6.3×7	39	39	51	55	63	58	72	65
100	101	5×7	6.3×7	5×7	8×7	6.3×7	8×7	59	59	68	65	78	71	85	85
220	221	6.3×7	8×7	6.3×7	8×7	8×7	107	65	65	78	71	85	85		
330	331	8×7		8×7				87	87	107	98				
470	471	8×7						145	145	150	150				
															Case size Rated ripple

Frequency coefficient of rated ripple current

Frequency	50 Hz	120 Hz	300 Hz	1 kHz	10 kHz~
Coefficient	0.70	1.00	1.17	1.36	1.50

Rated Ripple (mA rms) at 85°C 120Hz
Please refer to page 19, 20, 21 about the formed or taped product spec.
Please refer to page 3 for the minimum order quantity.