



Product designation	Solid state relay
Product type designation	HS2B
Type	Two-phase

Input characteristics

Control voltage	3...32VDC		
Operating voltage limits			
	Operating voltage pick-up	V	3
	Operating voltage drop-out	V	2
Input current at min...max voltage	mA	10...13	
Input reverse voltage	V	32	

Operating times

Switching-on	Half cycle max
Switching-off	Half cycle max

Output characteristics

Static output type	SCR (silicon controlled rectifier)		
Switching mode	Zero crossing		
Rated operating voltage	VAC	12...280	
Blocking voltage	V	600	
Operational frequency (min...max)	Hz	45...65	
Rated operating current AC-51 (resistive load) at 40°C	A	25	
Rated operating current AC-51 (resistive load) at 55°C	A	21	
Thermal resistance between junction to case	K/W	1.1	
Heatsink for use at 40°C and 55°C at rated current AC-51	K/W	≤0.3	
Operational current min	A	0.05	
Non repetitive surge peak on state current t=10ms	A	250	
Off state leakage current	mA	1	
On state output voltage drop	V	1.6	
Critical rate of rise of off-state voltage dv/dt	V/μs	500	
Input - Output isolation	V	4000	
Input - Output to metal base	V	2500	
I2t	A2s	340	

Terminal characteristics

Control terminals	Type	Faston 4.8x0.8	
Conductor section connectable (control terminals) with 1 or 2 wires min...max			
	AWG stranded	n°	16...14 (Faston lug)
	Flexible c/w insulated spade lug	mm2	0.75...6 (Faston lug)
Load terminals	Type	Faston 6.3x0.8	
Conductor section connectable (load terminals) with 1 or 2 wires min...max			
	AWG stranded	n°	16...10 (Faston lug)

	Flexible c/w insulated spade lug	mm ²	0.75...6 (Faston lug)
--	----------------------------------	-----------------	-----------------------

Operating position	allowable	Any
--------------------	-----------	-----

Fixing		Screw
--------	--	-------

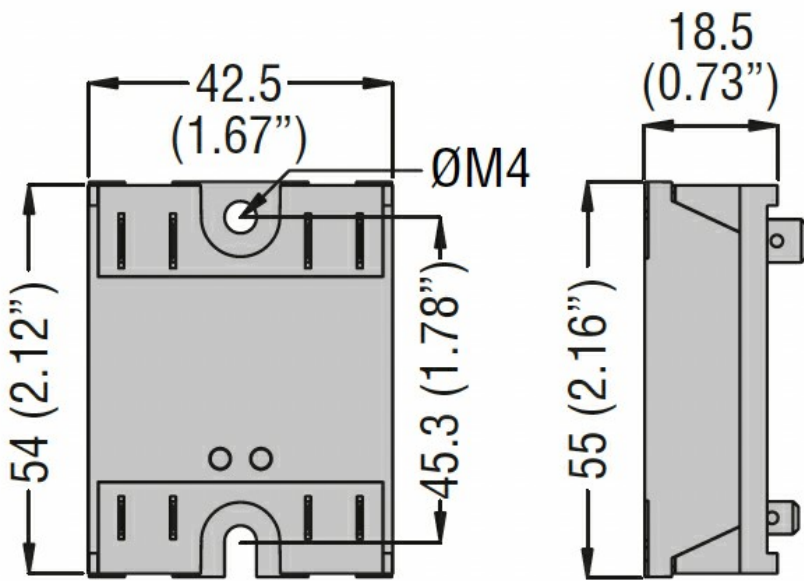
Ambient conditions

Temperature

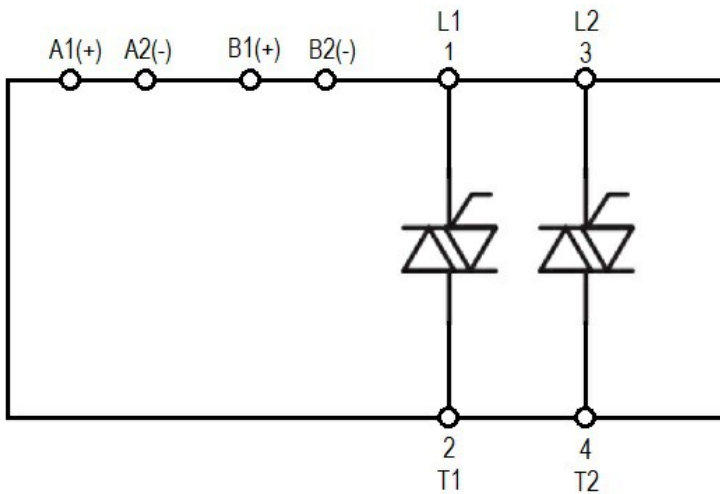
Operating temperature	min	°C	-40
	max	°C	+90

Storage temperature	min	°C	-40
	max	°C	+100

Dimensions



Wiring diagrams



Certifications and compliance

Certifications	IEC/EN/BS 60335-1
	IEC/EN/BS 60947-4-2
	IEC/EN/BS 60947-4-3

IEC/EN/BS 62314

Compliance

CSA

cURus

VDE

ETIM classification

EC000066 - Power contactor, AC switching