

- > **Port size: 3/8" ... 3/4" (ISO G/PTF)**
- > **Excelon® Plus design allows in-line installation or modular installation with other Excelon® Plus products**
- > **5 or 40 micron particle and high efficiency water removal (> 98%)**
- > **Double safety lock bowl**
- > **Metal bowl with prismatic liquid level indicator lens**
- > **Light weight polycarbonate bowl**
- > **Air purity classes in accordance to ISO8573-1: particles class 6 & 7 and liquid water class 8**



### Technical features

#### Medium:

Compressed air only

#### Maximum supply pressure:

Polycarbonate bowl: 10 bar (145 psi)

Metal bowl: 20 bar (290 psi)

#### Filter element:

5 µm & 40 µm

#### Port size:

G3/8, G1/2, G3/4,

3/8 PTF, 1/2 PTF, 3/4 PTF

#### Flow:

78 dm<sup>3</sup>/s

at port size: 1/2", operating pressure 6,3 bar (91 psi) and a Δp: 0,5 bar (7,25 psi) drop from set.

Filter element: 40 µm

#### Drain:

Manual or automatic

#### Automatic drain operating conditions (float operated):

Bowl pressure required to close drain: > 0,35 bar (5 psi)

Bowl pressure required to open drain: ≤ 0,2 bar (2,9 psi)

Minimum air flow required to close drain: 1 dm<sup>3</sup>/s (2 scfm)

#### Ambient/Media temperature:

Polycarbonate bowl:

-10 ... +60°C (14 ... +140°F)

Metal bowl:

-20 ... +65°C (-4 ... +149°F)

Air supply must be dry enough to avoid ice formation at temperatures below +2°C (+35°F).

#### Materials:

Body: Die cast aluminium

Body covers: ABS

Bowl: Transparent PC with PP guard or die cast aluminium

Liquid level indicator lens


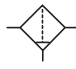
(metal bowl): PA

Filter element: sintered PP

Bowl 'o'- ring: Chloroprene

Elastomers: NBR

### Technical data F84G - standard models

Symbol	Port size	Drain	Filter element (µm)	Bowl	Weight (kg)	Model
	G3/8	Auto	40	Guarded polycarbonate	0,38	F84G-3GN-AP3
	G1/2	Auto	40	Guarded polycarbonate	0,38	F84G-4GN-AP3
	G3/4	Auto	40	Guarded polycarbonate	0,38	F84G-6GN-AP3
	G3/8	Auto	40	Metal with level indicator	0,52	F84G-3GN-AD3
	G1/2	Auto	40	Metal with level indicator	0,52	F84G-4GN-AD3
	G3/4	Auto	40	Metal with level indicator	0,52	F84G-6GN-AD3
	G3/8	Manual	40	Guarded polycarbonate	0,38	F84G-3GN-QP3
	G1/2	Manual	40	Guarded polycarbonate	0,38	F84G-4GN-QP3
	G3/4	Manual	40	Guarded polycarbonate	0,38	F84G-6GN-QP3
	G3/8	Manual	40	Metal with level indicator	0,52	F84G-3GN-QD3
	G1/2	Manual	40	Metal with level indicator	0,52	F84G-4GN-QD3
	G3/4	Manual	40	Metal with level indicator	0,52	F84G-6GN-QD3

**Option selector**

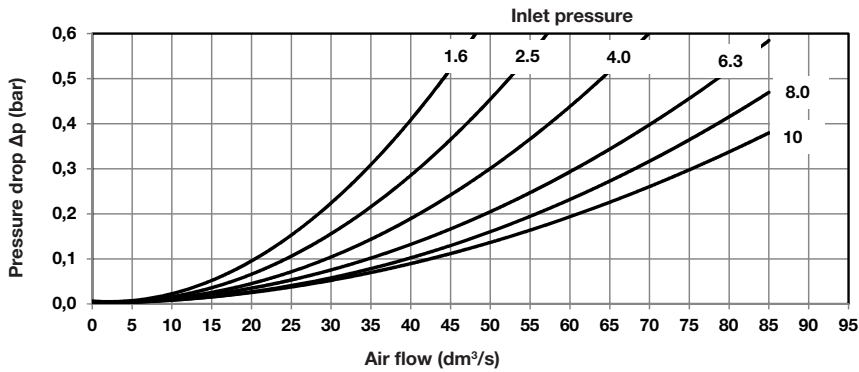
**F84G-\*\*\*N-\*\*\***

Port size	Substitute
3/8"	3
1/2"	4
3/4"	6
Thread form	Substitute
PTF	A
ISO G parallel (standard)	G
Drain	Substitute
Manual (standard)	Q
Auto drain (standard)	A

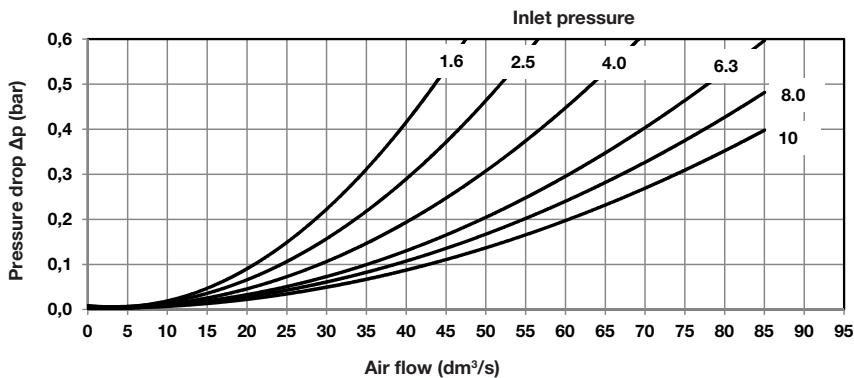
Element	Substitute
5 µm	1
40 µm (standard)	3
Bowl	Substitute
Transparent with guard (standard)	P
Metal with liquid indicator (optional)	D

**Flow characteristics**

**Element 40 µm**  
**Port size: 1/2"**



**Element 5 µm**  
**Port size: 1/2"**

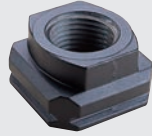
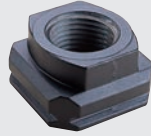
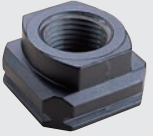
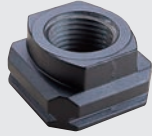
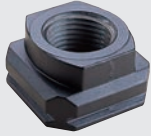
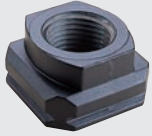


**Accessories**

<b>Wall mounting bracket</b>  <b>Page 6</b> 840024-50KIT	<b>Quikclamp®</b>  <b>Page 6</b> 840014-51KIT	<b>Quikclamp® with bracket assembled</b>  <b>Page 6</b> 840014-52KIT	<b>Pressure sensing block 1/4 PTF</b>  <b>Page 6</b> 840016-50Kit	<b>Pressure sensing block G1/4</b>  <b>Page 6</b> 840016-51KIT
--	---	--	---	--

<b>Full flow porting block 3/4 PTF</b>  <b>Page 6</b> 840028-50KIT	<b>Full flow porting block G3/4</b>  <b>Page 6</b> 840028-53KIT	<b>Pressure switch interface block (18D pressure switch)</b>  <b>Page 7</b> 0337717000000000	<b>Pneumatic pressure switch 18D (0,5 ... 8 bar) *1)</b>  <b>Page 7</b> 0881300	<b>Digital pressure switch 51D (-1 ... 10 bar) *2)</b>  <b>Page 7</b> 0860810
--	---	--	---	---

\*1) Flanged version. For other pressure ranges, please see data sheet 5.11.001  
 \*2) For other pressure ranges, please see data sheet 5.11.385

<b>Port Adaptors 3/8 PTF</b>  <b>Page 7</b> 840015-02KIT	<b>Port Adaptors 1/2 PTF</b>  <b>Page 7</b> 840015-03KIT	<b>Port Adaptors 3/4 PTF</b>  <b>Page 7</b> 840015-04KIT	<b>Port Adaptors G3/8</b>  <b>Page 7</b> 840015-10KIT	<b>Port Adaptors G1/2</b>  <b>Page 7</b> 840015-11KIT	<b>Port Adaptors G3/4</b>  <b>Page 7</b> 840015-12KIT
--	--	--	--	---	---

**Maintenance/Service**

**Filter cartridge**  
5 micron



840038-50KIT

**Filter cartridge**  
40 micron



840038-51KIT

**Auto drain kit with**  
metal Nut - Imperial



6000-61KIT

**Auto drain kit with**  
metal Nut - Metric



6000-60KIT

**Spare parts**

**Filter Bowl**  
(Guarded Poly bowl with  
auto drain 6 mm PIF)



840025-51KIT

**Filter Bowl**  
(Guarded Poly bowl with manual  
drain)



840025-50KIT

**Filter Bowl**  
(Metal with S/Glass & auto drain,  
6 mm PIF)



840003-51KIT

**Filter Bowl**  
(Metal with S/Glass &  
manual drain)



840003-50KIT

**Filter Bowl**  
(Guarded Poly bowl with  
auto drain, 1/4 PIF)



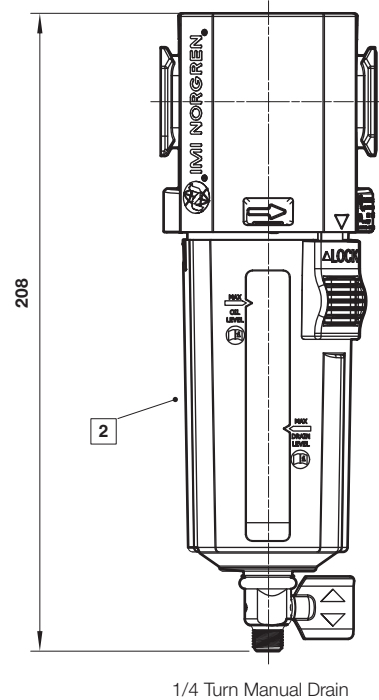
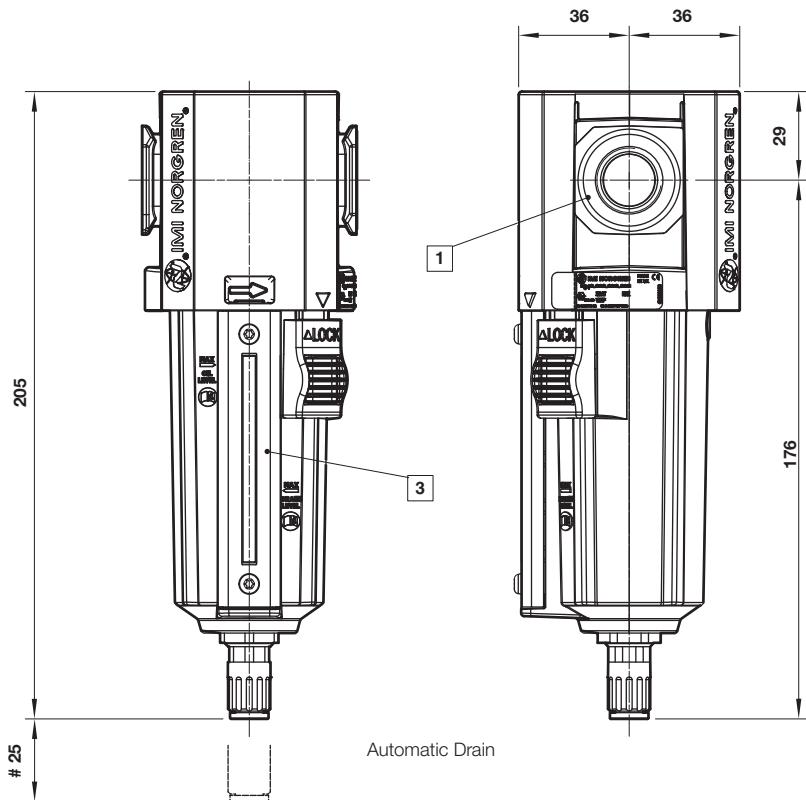
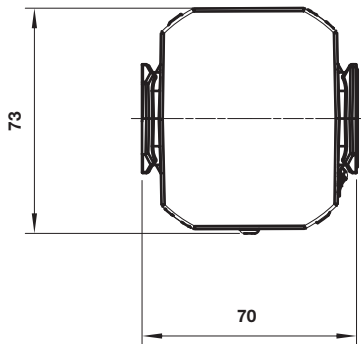
840025-53KIT

**Filter Bowl**  
(Metal with S/Glass &  
auto drain, 1/4 PIF)



840003-56KIT

**Dimensions**

 Dimensions in mm  
Projection/Third angle


# Minimum clearance for bowl removal

 1 Main ports 3/8", 1/2" or 3/4"  
(ISO G/PTF)

2 Transparent bowl with guard

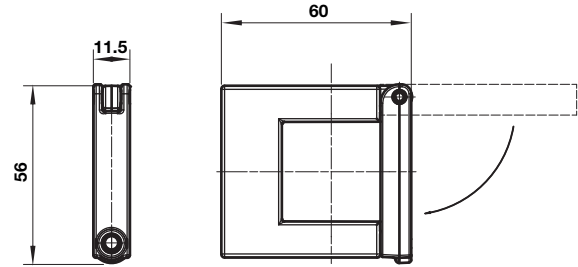
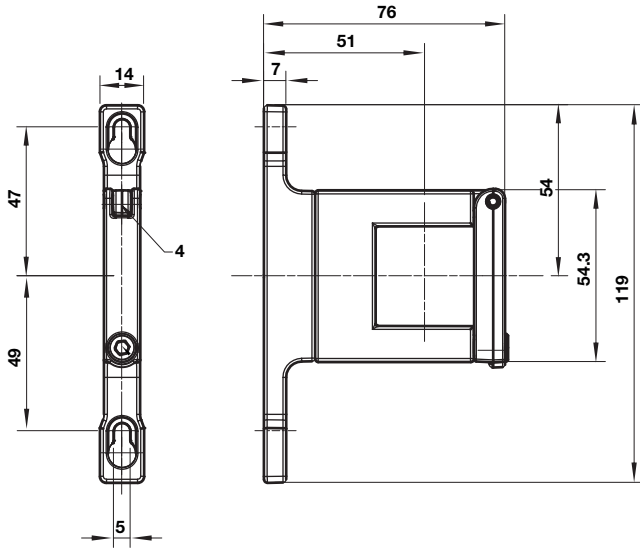
 3 Metal bowl with liquid level indicator  
lens

Accessories

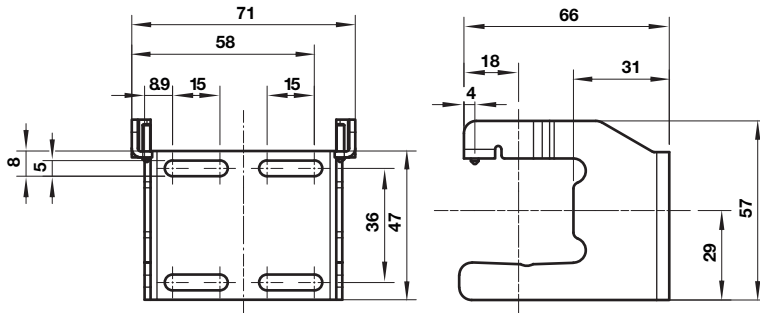
Dimensions in mm  
Projection/Third angle

Quikclamp® with wall bracket

Quikclamp®

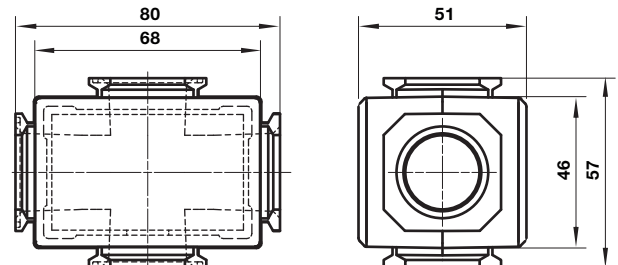
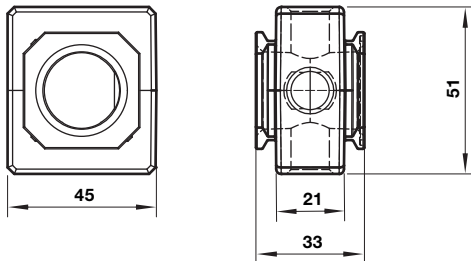


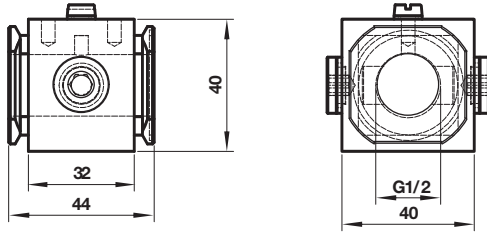
Mounting bracket

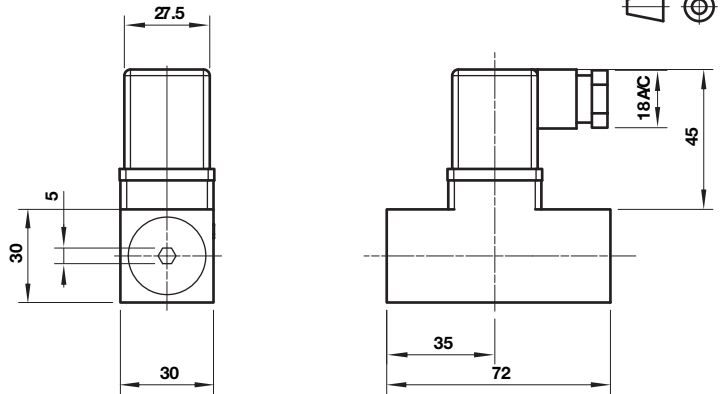
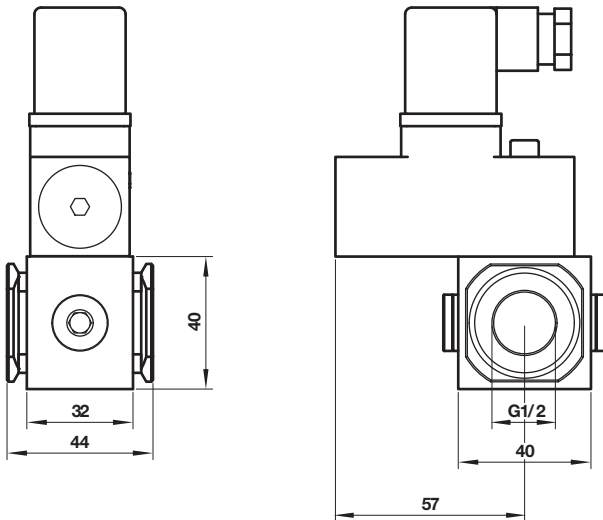
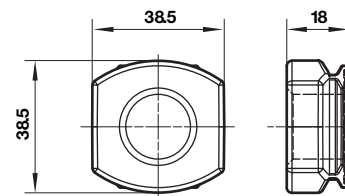
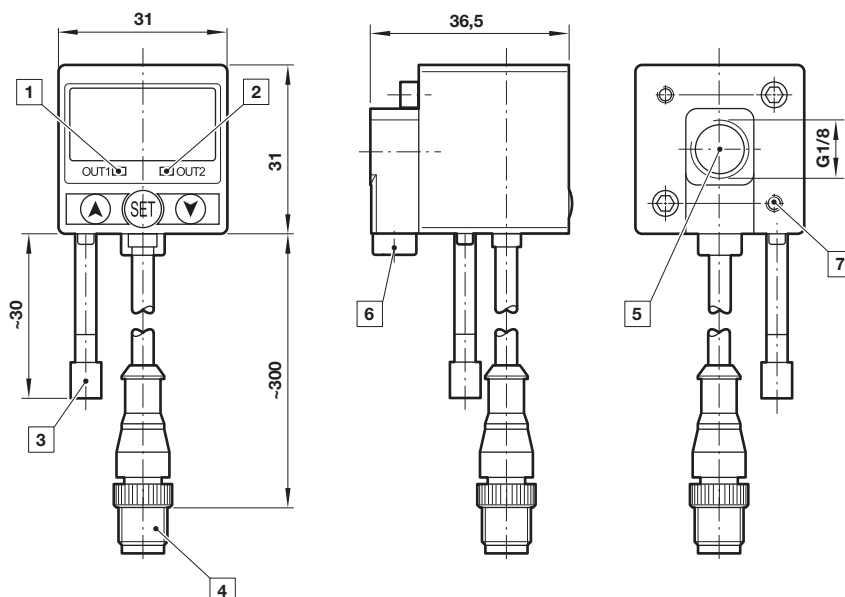


Pressure sensing block

Full flow porting block



**Porting block for 18D pressure switch**

**18D Pressure switch**

 Dimensions in mm  
 Projection/Third angle

**18D Porting block and 18D assembled**

**Pipe adaptor**

**51D Pressure switch - digital**


- 1 Switch OUT 1, green LED
- 2 Switch OUT 2, red LED
- 3 Dustproof protector
- 4 Connector M12 x 1
- 5 Inlet port
- 6 Alternative inlet port G1/8 plugged
- 7 Thread for mounting screw

### Warning

These products are intended for use in industrial compressed air systems only. Do not use these products where pressures and temperatures can exceed those listed under »**Technical features/data**«.

Before using these products with fluids other than those specified, for non-industrial applications, life-support systems or other applications not within published specifications, consult IMI Precision Engineering, Norgren Ltd.

Through misuse, age, or malfunction, components used in fluid power systems can fail in various modes. The system designer is warned to consider the failure modes of all component parts used in fluid power systems and to provide adequate safeguards to prevent personal injury or damage to equipment in the event of such failure.

System designers must provide a warning to end users in the system instructional manual if protection against a failure mode cannot be adequately provided.

System designers and end users are cautioned to review specific warnings found in instruction sheets packed and shipped with these products.