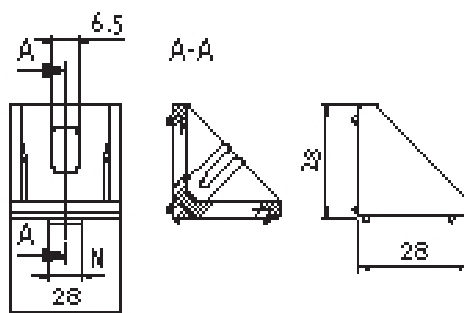
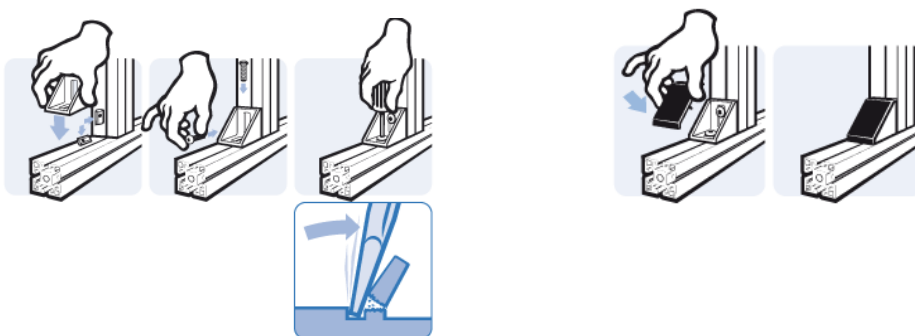


Angle Bracket with Cap 30

ENGLISH



Set contains: Angle bracket with cap, two roll-in T slots and screws.



For Profile 30, groove size 6 system ONLY

| RS Article no. | Product Description | Compatible with groove size | Product system | Structural element type |
|----------------|--|-----------------------------|----------------|---------------------------|
| 7675566 | Set Connection Angle, 28x28x28mm, slot 6 | 6 | 30 | Connector Bracket & Joint |