

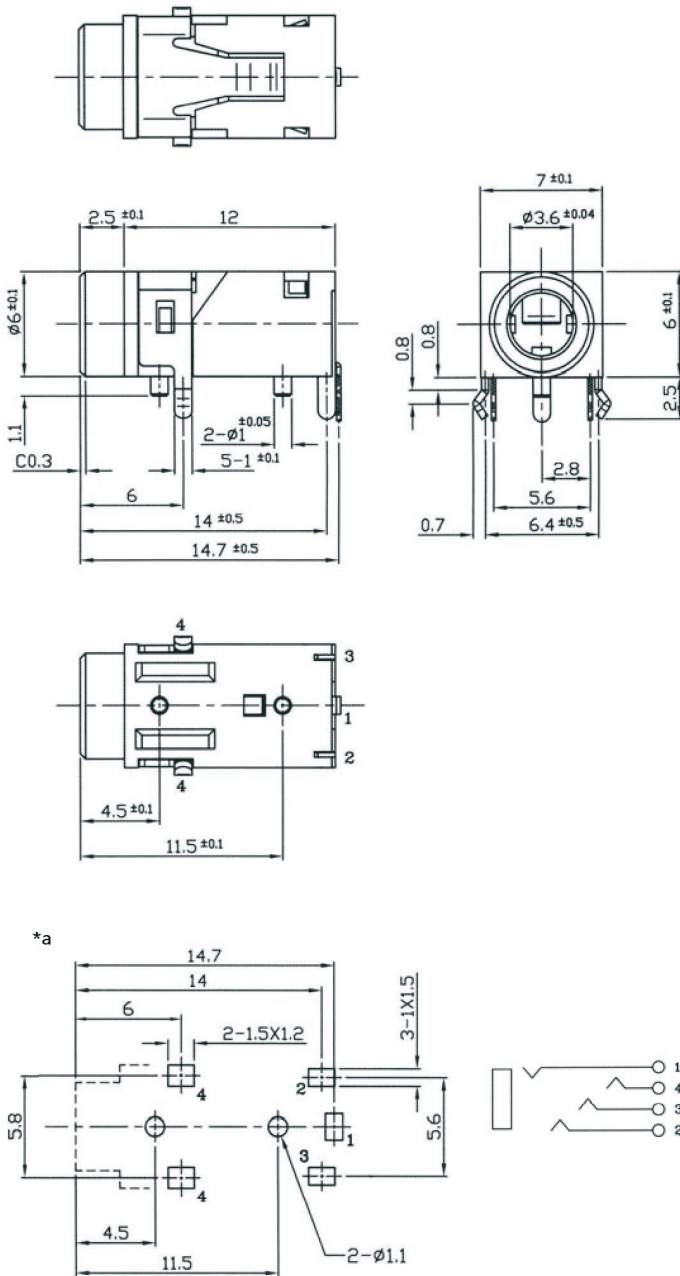
15

1503 19

Jack connectors



Jack chassis socket according to JEITA RC-5325A JC35J4A,
3.5 mm, 4 poles/stereo, angular version, for printed circuit
boards



*a printed circuit board layout, components side view

Environmental conditions

Temperature range -20 °C/+70 °C

Materials

Insulating body PA, HB according to UL94
Contact spring Cu alloy, silver-plated

Mechanical data

Mating cycles 5000
Insertion force 5,9–24,5 N¹
Withdrawal force 5,9–24,5 N¹

¹ measured with a gauge plug

Electrical data (at T_{amb} 20 °C)

Contact resistance ≤ 30 mΩ
Rated current 1 A
Rated voltage 12 V DC
Rated impulse voltage 500 V/60 s
Insulation resistance ≥ 100 MΩ

Associated products

Counterparts
☞ 1532 02

15

1503 19

Designation	Pole Number	PU (Pieces)	MDQ (Pieces)
1503 19	4	500	500

Packaging:

in bulk, in a cardboard box or a plastic bag