

**APPROVED SOURCE FOR CABLE**

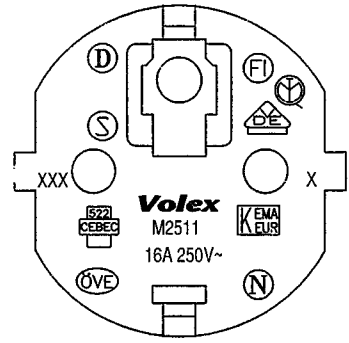
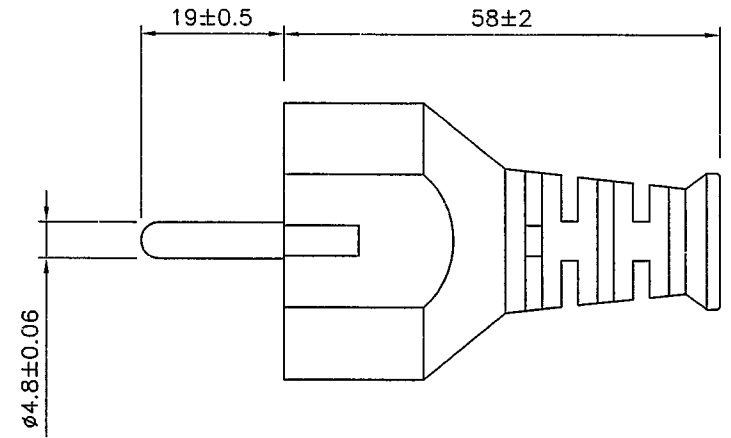
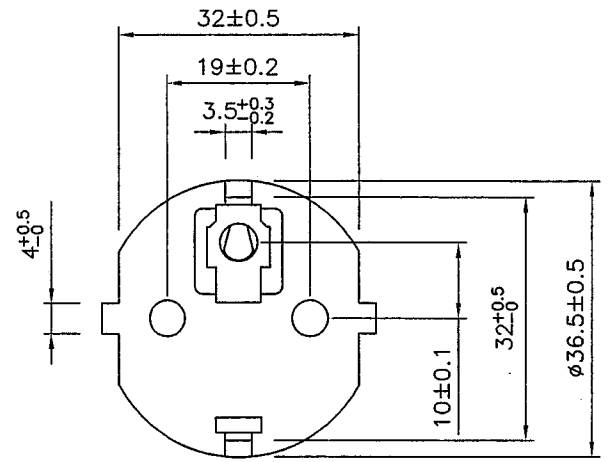
1. BAO HING(SHENZHEN).
2. TA HSING(SHENZHEN).

**NOTE :**

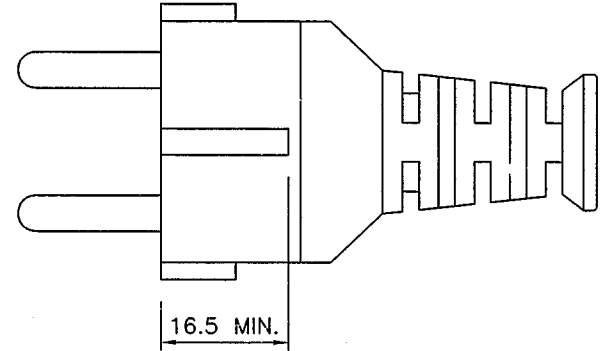
1. ALL DIMENSIONS IN mm.
2. THE CORD SHALL COMPLY WITH EN 50525-2-11.
3. THE MOLDED PLUG SHALL COMPLY WITH VARIOUS EUROPEAN COUNTRIES' CONFIGURATION (NATIONAL STANDARD) AND TESTED TO IEC 60884-1.
4. LABEL DETAILS :  
REFER TO LABEL DRAWING NO. : VL-0538.
5. THIS PART CAN BE MANUFACTURED AT ANY LOCATION WHICH HAS SAFETY APPROVAL.

5	PRINTED LABEL	VL-0538	1
4	BAG LDPE 283X114X0.05 PRT (04)	904028	1
3	6" PE TIE BLK	6310056	1
	IP60G NL7976B BLK	4100115	-
2	MOLDED PLUG M2511 (16A 250V)	M2511	1
1	H05VV-F 3X1.00 BLK PVC LEAD FREE	1210365	1
S/N	DESCRIPTION	ITEM NUMBER	QTY
TITLE : EUROPEAN POWER SUPPLY CORD (PB FR)		SCALE : N.T.S.	
CUSTOMER : VPE/RS COMPONENTS		PAGE : 1/1	
CUSTOMER PART NUMBER : 6266600		ISSUE	
Reference Number : 142708/15 (HG07-040-14)		001	
SALES :	QA :	ENGRG :	CHECKED BY :
			DRAWN BY :
Date :	Date :	Date :	Date :
<b>Voilex (Asia) Pte Ltd</b>			
Confidential property of Voilex. Information contained herein shall not be disclosed to others, reproduced or used for any other purposes except as authorized in writing by an authorized official of voilex asia.			

REV.	DESCRIPTION	DATE
Q	ADD RIB INTO STRAIN RELIEF PER ECR 090706.	22/05/09
R	REMOVE THE CLOSED FACTORY FROM MANU.	20/07/09
	LOCATION MARK.	



**MARKING DETAILS :**



**NOTES :**

- 1.) ALL DIMENSIONS IN mm.
- 2.) X - CAVITY NO. (OPTIONAL)
- 3.) XXX - MANUFACTURING LOCATION.



HG	HENG GANG (CHINA)	X	DRAWN	LI XIA	20/07/09	FILE NAME :	TITLE :	
SM1	ZHONGSHAN (CHINA)	X	CHECK	honglu	22/07/09	A-PLUG/EURO/ GENERAL/ M2511-EURO	MOLDED PLUG M2511	
VH	HANOI (VIETNAM)	X	APPR	weitz	29/7/19	M2511-EURO	<b>Volex (Asia) Pte Ltd</b>	
B	BATAM (INDONESIA)	X	REV.	R	SCALE	N.T.S.		
VC	CHENNAI (INDIA)	X	REFERENCE :				EUROPEAN APPROVAL	
MANUFACTURE LOCATION MARK ( ' X ' IS APPLICABLE ONLY)							<small>Confidential property of Volex. Information contained herein shall not be disclosed to others, reproduced or used for any other purposes except as authorized in writing by an authorized official of volex asia.</small>	