

Common mode Noise Filters

Type: **EXC24CE**
EXC24CF



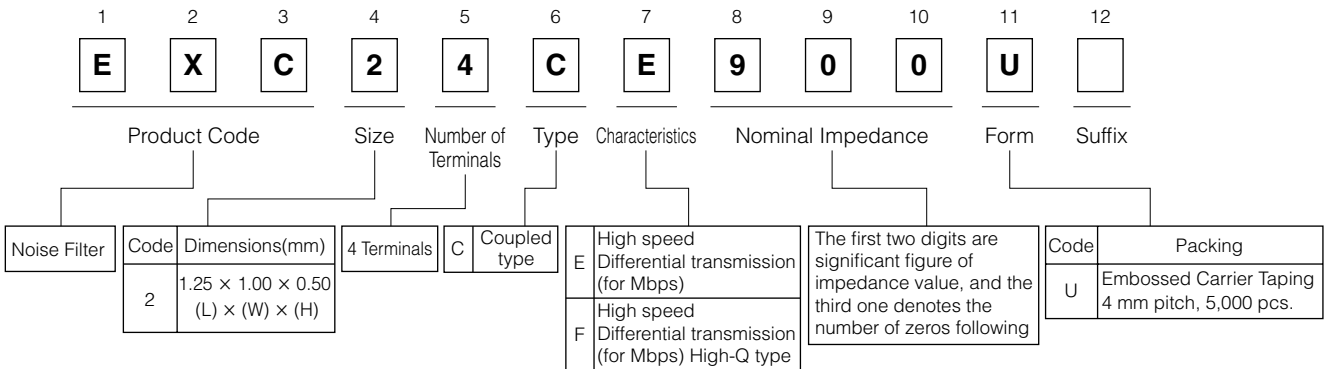
■ Features

- Reduce the common mode noise and reform the signal wave by high-coupled inductors
- The strong multi-layer structure provides high resistance to reflow soldering heat and a high mounting reliability
- Magnetic shield type
- High-Q impedance : EXC24CF type is also available
- Small size and low-profile
(L 1.25 mm×W 1.00 mm×H 0.50 mm)
- RoHS compliant

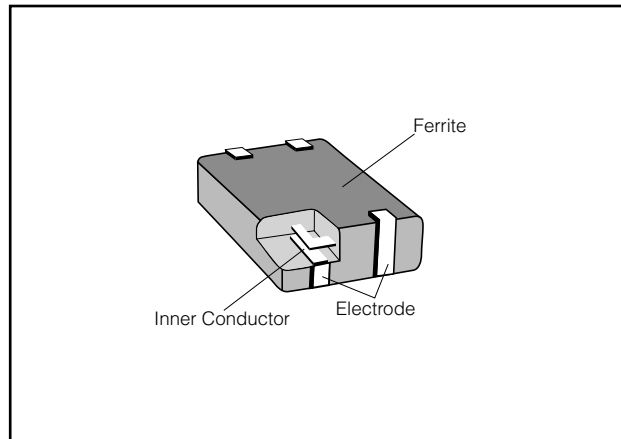
■ Recommended Applications

- USB data lines such as PCs, DSC, Mobile phone.
- LVDS data lines such as PCs, TV.
- IEEE1394 data lines such as PCs, TV.

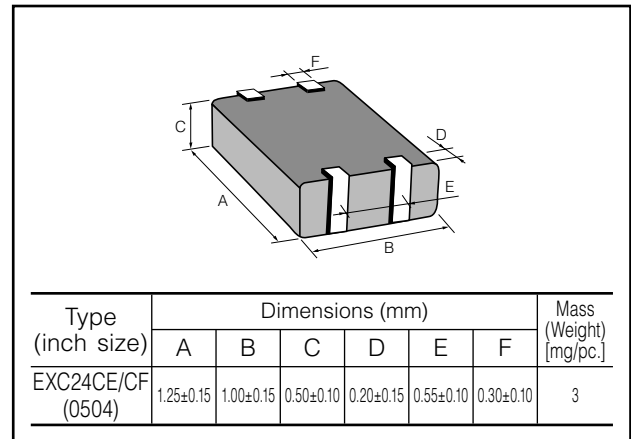
■ Explanation of Part Numbers



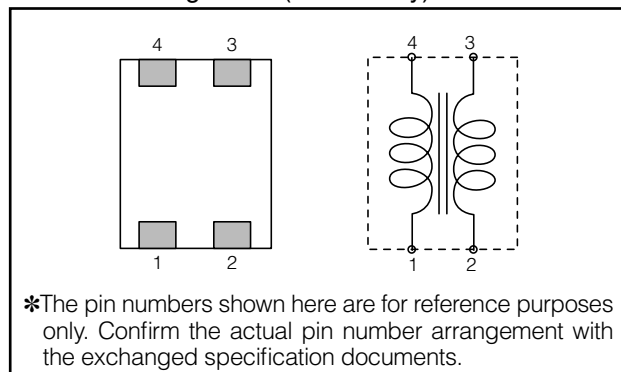
■ Construction



■ Dimensions in mm (not to scale)



■ Circuit Configuration(No Polarity)

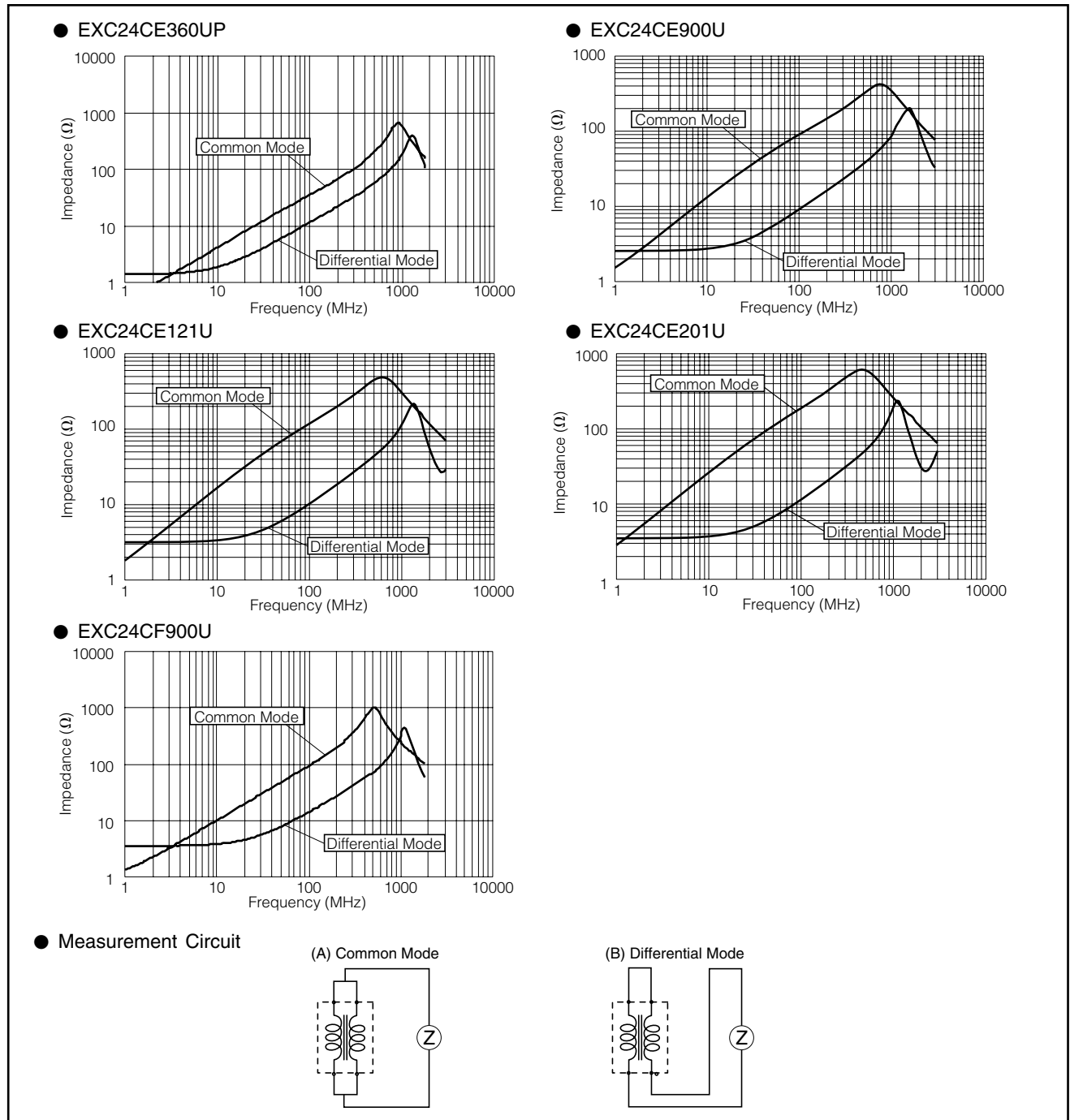


■ Ratings

Part Number	Impedance (Ω) at 100 MHz		Rated Voltage (V DC)	Rated Current (mA DC)	DC Resistance (Ω)max.
	Common Mode	Differential Mode			
EXC24CE360UP	36 Ω ±25 %	20 Ω max.	5	200	1.00
EXC24CE900U	90 Ω ±25 %	15 Ω max.	5	160	1.75
EXC24CE121U	120 Ω ±25 %	18 Ω max.	5	140	2.20
EXC24CE201U	200 Ω ±25 %	20 Ω max.	5	130	2.70
EXC24CF900U	90 Ω ±25 %	20 Ω max.	5	130	2.50

● Category Temperature Range -40°C to $+85^{\circ}\text{C}$

■ Impedance Characteristics (Typical)



■ Packaging Methods, Land Pattern, Soldering Conditions and Safety Precautions

Please see Related Information