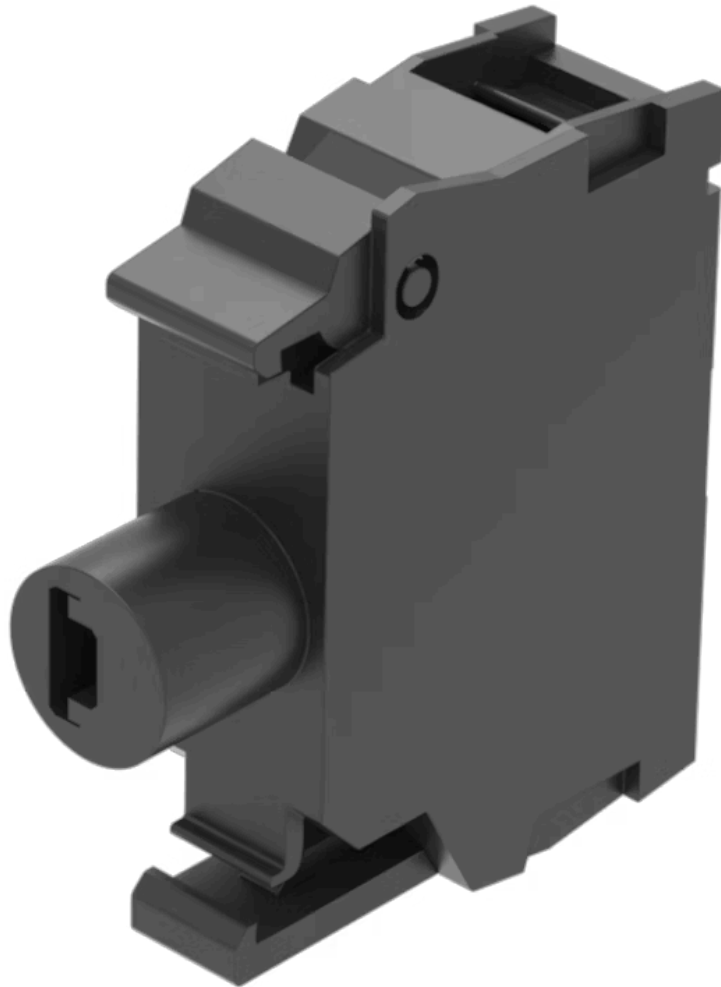


Illumination element

45-320.1J12

Distribution by
Rs-online



<https://rs-online.eao.com/p/45-320.1J12>

Your product:



45-320.1J12

Illumination element

MOUNTING

Component mounting type: Front mounting

OPERATING-/INDICATION PART

Illumination colour: Blue

ELECTRICAL CHARACTERISTICS

Operating voltage: 24 / 240 V AC/DC

Surge voltage resistance: 4 kV

Lumi. Intensity: 280 - 710 mcd

MECHANICAL CHARACTERISTIC

Terminal: Screw terminal

Terminal details 1: Solid 2 x (1.0 ... 1.5mm²)
– With end sleeves 2 x (0.5 ... 0.75 mm²)

Terminal details 2: Finely stranded
– Without end sleeves 2 x (0.5 ... 0.75 mm²)
– Without end sleeves 2 x (0.5 ... 1.5 mm²)
– For AWG cables for auxiliary contacts 2 x (18 ... 14)

Weight: 0.011 kg

CERTIFICATE

REACH: REACH compliant

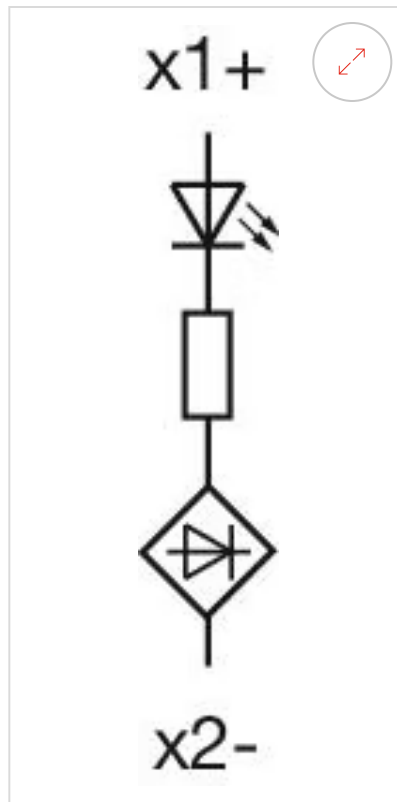
RoHS: RoHS compliant

OTHER

Short Description:

Illumination element, Screw terminal, Blue, 24 / 240 V AC/DC, Front mounting

Wiring diagrams:



Dimension drawings:

