
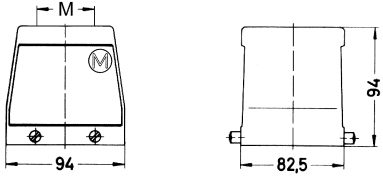

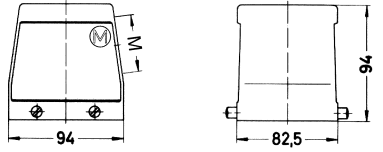

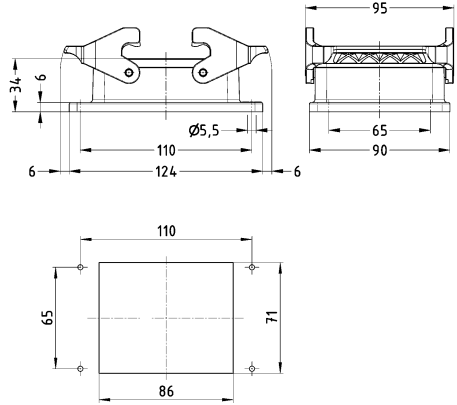

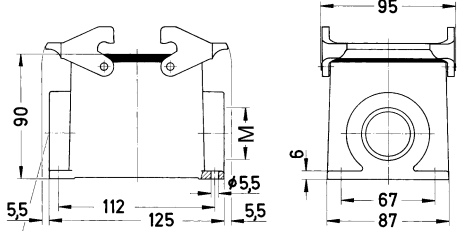


HARTING standard hoods and housings for industrial connectors  
Double locking lever

| Identification   | Cable entry                | Part number      |  | Drawing<br>(dimensions in mm)   |
|--|----------------------------|------------------|--|---|
|  |                            | Low construction | High construction                                  |   |
| Han® B ,<br>Hoods,<br>Top entry<br><br>   | 1x M32<br>1x M40<br>1x M50 |                  | 19 30 032 0427<br>19 30 032 0428<br>19 30 032 0429 |                         |
| Han® B ,<br>Hoods,<br>Side entry<br><br>                                       | 1x M32<br>1x M40<br>1x M50 |                  | 19 30 032 0527<br>19 30 032 0528<br>19 30 032 0529 |                        |
| Han® B ,<br>Bulkhead mounted housings,<br>Han-Easy Lock®<br><br>              |                            |                  | 09 30 032 0301                                     |  <p>Panel cut out</p> |
| Han® B ,<br>Surface mounted housing,<br>Side entry,<br>Han-Easy Lock®<br><br> | 1x M32<br>2x M32<br>2x M40 |                  | 19 30 032 0232<br>19 30 032 0272<br>19 30 032 0273 |                       |

Housings