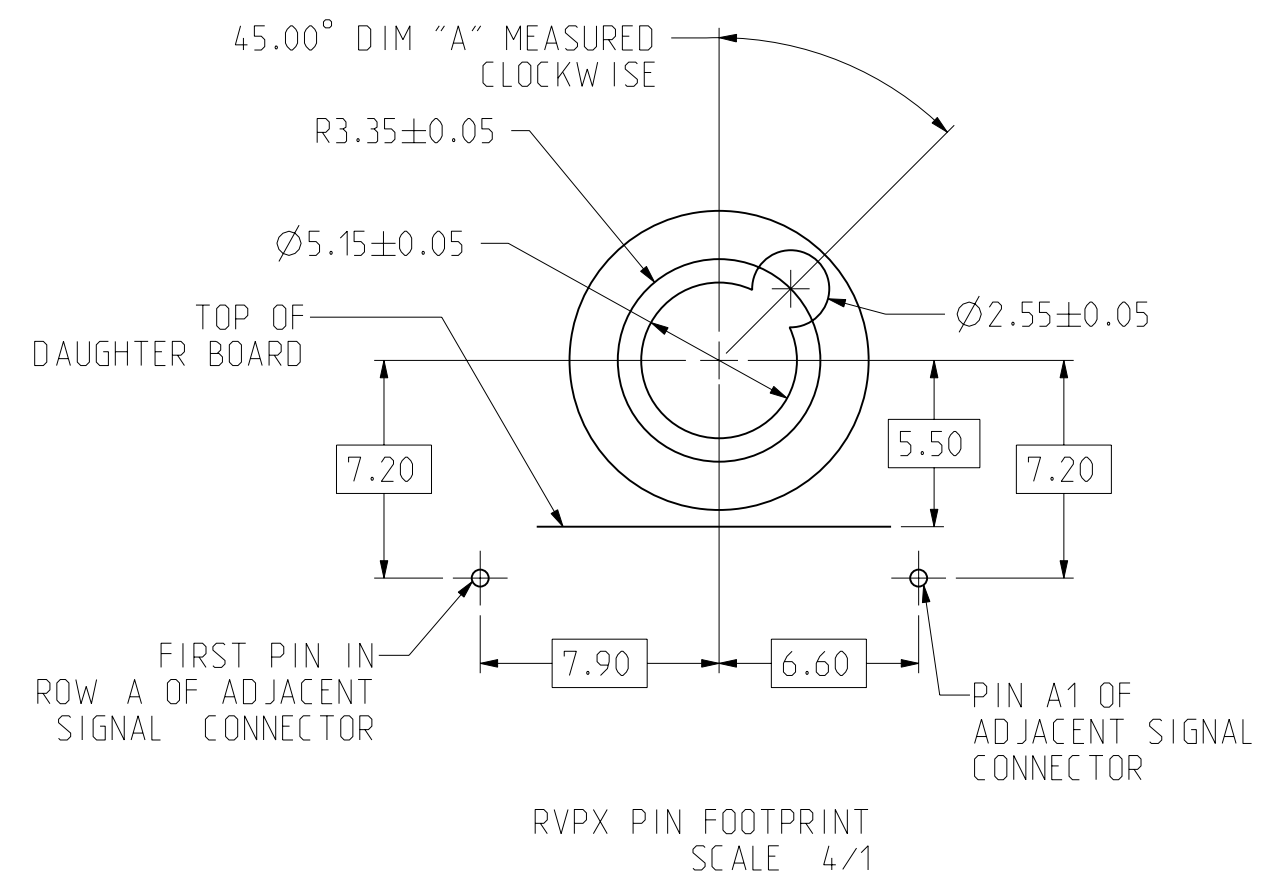
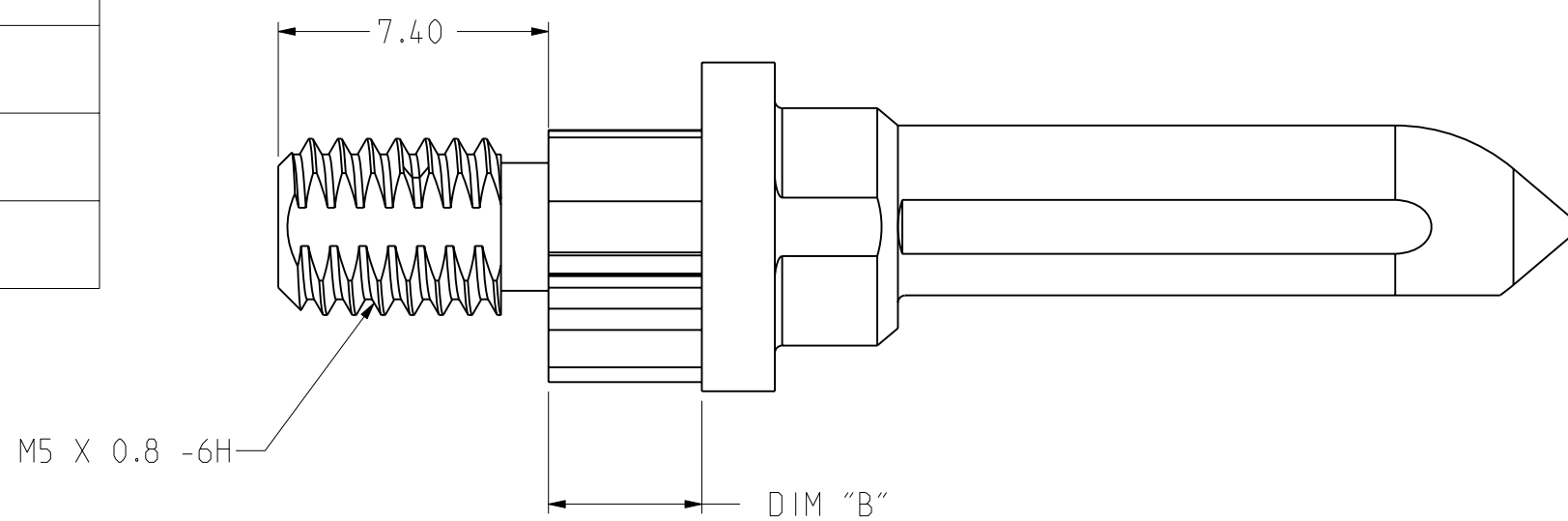
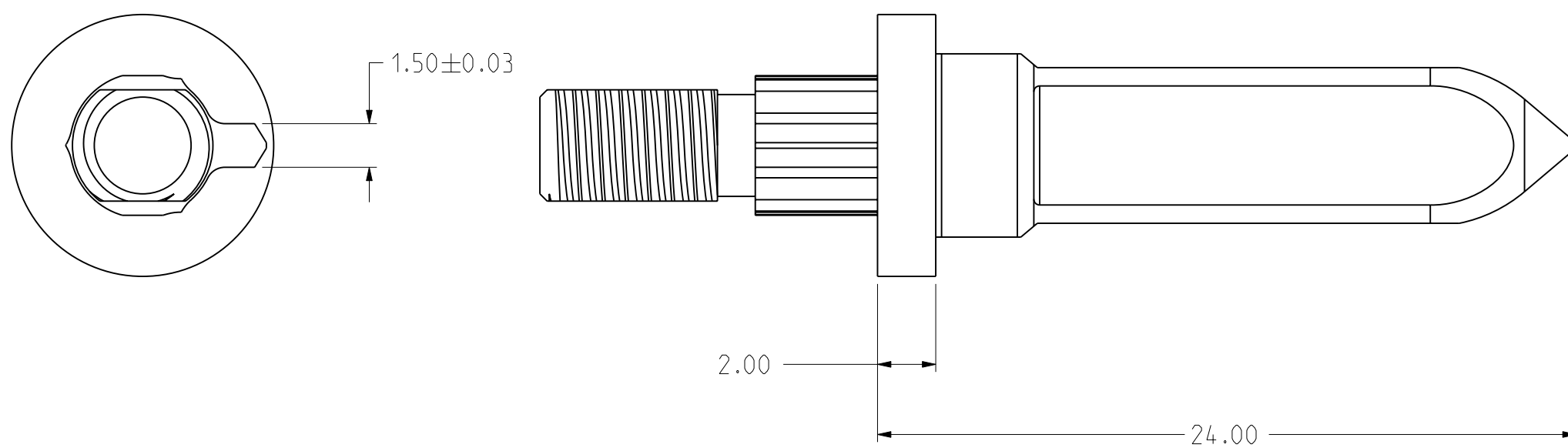


RVPX-HPD-X		DOCUMENT NO.
SHEET 1 OF 1		REV. B
REVISIONS M		
LTR	DESCRIPTION	DATE
A	INITIAL RELEASE	06-MAY-16
B	(CL 11) SEE CHANGE NOTICE ECN: C3393	H. BROOKER 9/21/2016

PART NUMBER	DIM B
RVPX-HPD-2	2.60
RVPX-HPD-3	4.20
RVPX-HPD-4	5.70



DIM "A"	MATING DC GUIDE
-	RVPX-HMD-9
315°	RVPX-HMD-8
270°	RVPX-HMD-7
90°	RVPX-HMD-3
45°	RVPX-HMD-2
0°	RVPX-HMD-1



- NOTES:**
- 1 MATERIAL: ZINC ALLOY
  - 2 KEY HOLE ORIENTATION (DIM A) PER MATING GUIDE MODULE PART NUMBER TABLE (ORIENTATION SHOWN ON PCB LAYOUT IS FOR RVPX-HMD2)
  - 3 ANNULAR RING PLATED AROUND GUIDE PIN MOUNTING HOLE ON TOP AND BOTTOM SIDE OF BOARD
  - 4 FINISH: 3.81µm MINIMUM SILVER IN CONTACT AREA OVER NICKEL OVER COPPER ALL OVER

THE USE OF THIS DOCUMENT IS UNLIMITED. HOWEVER, DOCUMENTS REFERENCED HEREON MAY CONTAIN LIMITED RIGHTS DATA.

N/A  
NEXT ASSEMBLY

PRO/ENGINEER INFORMATION  
Pro/e Model Used:  
RVPX-HPD-X.ASSEM  
Drawing Name:  
RVPX-HPD-X

UNLESS OTHERWISE SPECIFIED	SPECIFICATIONS	POS	QTY	PART NUMBER	DESCRIPTION	NOTE
LINEAR DIMENSIONS ARE IN MILLIMETERS TOLERANCES: .XXXX = ±. - ANGLES= ±1° .XXX = ±. - .XX = ±.13 .X = ±.5 DIM. & TOL. PER ASME Y14.5M; DRM PER MIL-DTL-31000; OTHER Amphenol Stds. PER 9-3800 LEGENDS: =FLAG NOTE CALL OUT REFERENCE ONLY	MATERIAL SPEC. SEE NOTE 1	APPROVALS		DATE	PARTS LIST	
	PROCESS SPEC. SEE NOTE 4	PREPARED BY S. LANGELIER	ENGINEER IN CHARGE S. LANGELIER	22-MAR-16	<b>AMPHENOL CORPORATION</b> 40-60 DELAWARE AVENUE SIDNEY, N.Y. 13858	
		DESIGN MANAGER J. PAUL	DESIGN ACTIVITY GROUP BOARD LEVEL		<b>RVPX, BACKPLANE GUIDE PIN DIECAST</b>	
		THIRD ANGLE PROJECTION			SIZE <b>C</b> CAGE CODE <b>77820</b> SCALE: 5.0	DOCUMENT NO. <b>RVPX-HPD-X</b> REF. NONE