



Datasheet

Stock No. 1852160,1852159,1852157

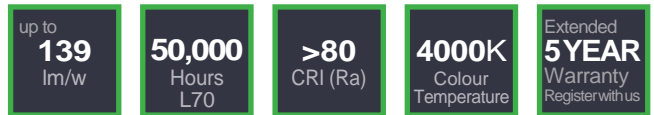


ENGLISH

## RS PRO Led Ceiling Lamp Light Led Bulkhead

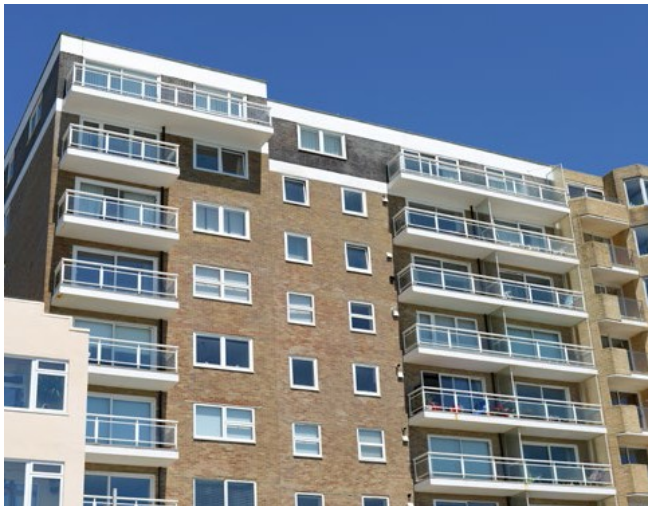


A cost-effective range of robust, IP65 rated LED Bulkheads. The rigidly constructed base and screwed-down diffuser protect the Trojan against abuse.



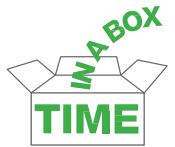
### FEATURES

- Energy efficient LED gear tray
- IP65 – formed-in-place foam gasket protects against dust and water
- Flush fit to fixing surface ensures vandal resistance
- Robust Polycarbonate body in black or white
- Clear or opal polycarbonate diffuser
- Retained diffuser screws
- Security screws available



### SIMPLE TO INSTALL AND USE

- Hinged LED gear tray and Time-in-a-Box packaging for swift and easy installation
- BESA box fit points for easy cable entry
- Wall or ceiling mountable
- Exterior or interior use



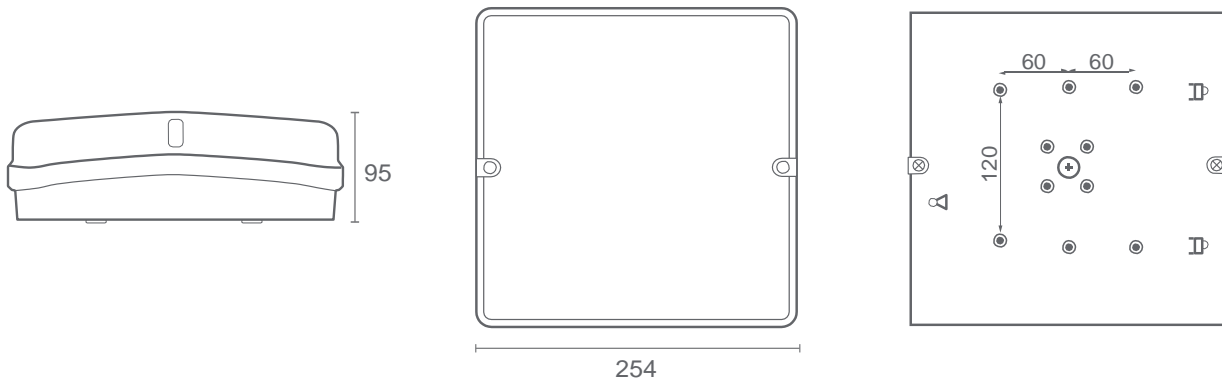
### TYPICAL APPLICATIONS

Ideal for internal and external applications, where durability and longevity are required, such as

- Youth centres
- Housing associations and social housing
- Sports areas
- Public walkways
- Car parks



## TECHNICAL INFORMATION



Dimensions:  
254 x 254 x 95mm

Weight:  
1.2kg

Mounting type:



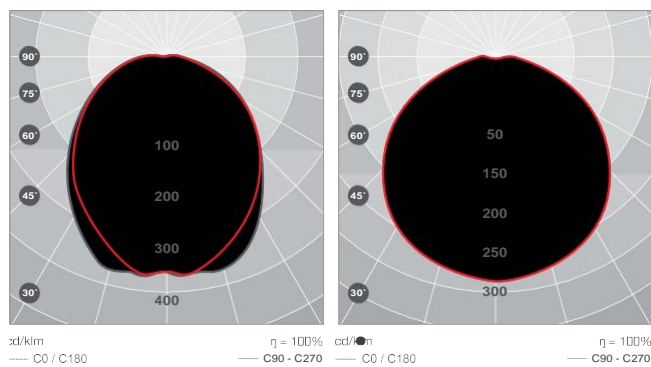
Base Colour Options:

- White base  
RAL 9003
- Black base  
RAL 9005 50% gloss

Diffuser Options:

- Clear Diffuser
- Opal Diffuser

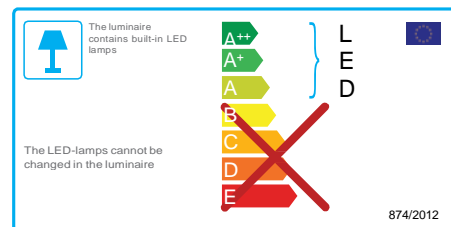
## LIGHT DISTRIBUTION



Clear Diffuser

Opal Diffuser

## STANDARDS



## ORDERING GUIDE

Standard Product Code	Light Management Options Suffi										Lumen Output lm	Wattage W	Efficacy lm/W
	Base Colour	Diffuser Option	DALI	Dimming	Corridor Function	3hr Emergency	Self-Test	DALI Emergency	Microwave Sensor	Photocell			
<b>Trojan Square Galaxy LED</b>													
	B/W	CL	DA	DIM	-	EM	AT	DAEM	MS	PH	1300	10	130
	B/W	OP	DA	DIM	-	EM	AT	DAEM	MS	PH	950	10	95
1852157,1852158	B/W	CL	DA	DIM	CF	EM	AT	DAEM	MS	PH	1800	13	139
1852159,1852160	B/W	OP	DA	DIM	CF	EM	AT	DAEM	MS	PH	1300	13	100
	B/W	CL	DA	DIM	CF	EM	AT	DAEM	MS	PH	2500	19	132
	B/W	OP	DA	DIM	CF	EM	AT	DAEM	MS	PH	1900	19	100

Lumen Output in EM:  
 Clear diffuser - 220lm  
 Opal diffuser - 150lm

**50,000**  
Hours  
L70

**>80**  
CRI (Ra)

**4000K**  
Colour  
Temperature



Luminaires are manufactured and tested in accordance with BS EN60598.  
 Incorporated control gear and components comply with BS/VDE standards.  
 Luminaires are tested in accordance with IES LM-79-08.