

Compensated High Current Choke, 1-phase

new



See below:

**Approvals and Compliances**

**Description**

- Current compensated choke
- 1-phase choke
- THT-terminals
- Flange for mounting onto printed circuit board

**Unique Selling Proposition**

- Compact size and light weight
- Small footprint on PCB
- Open design optimizes heat dissipation
- Nanocrystalline or ferrite ring cores

**Applications**

- Frequency converter
- Charge stations
- UPS-systems
- Switching power supplies

**References**

Alternative: Horizontal version [DKIH-1](#)

**Weblinks**

[pdf data sheet](#), [html datasheet](#), [General Product Information](#), [Approvals](#), [Distributor-Stock-Check](#), [Detailed request for product](#), [SPICE Library](#), [Landing Page](#)

**Technical Data**

Rated voltage	IEC, UL: 300VAC	Test Voltage	2500VDC, 2 sec, winding to winding	
	CSA: 250VAC		Climatic Category	40/100/21 acc. to IEC 60068-1
	max. 450VDC			Allowable Operation Temp.
Rated Current	10 - 50A @ Ta 40 °C			
Rated inductance	0.15 - 8.2mH, Tol. -30% +50%			
Power Operating Frequency	0 - 400Hz			
Terminal Type	THT			
Weight	25 - 140g			
Material: Housing	UL 94V-0			

**Approvals and Compliances**

Detailed information on product approvals, code requirements, usage instructions and detailed test conditions can be looked up in [Details about Approvals](#)

SCHURTER products are designed for use in industrial environments. They have approvals from independent testing bodies according to national and international standards. Products with specific characteristics and requirements such as required in the automotive sector according to IATF 16949, medical technology according to ISO 13485 or in the aerospace industry can be offered exclusively with customer-specific, individual agreements by SCHURTER.

**Approvals**

The approval mark is used by the testing authorities to certify compliance with the safety requirements placed on electronic products.

Approval Reference Type: DKIV-1

Approval Logo	Certificates	Certification Body	Description
	<a href="#">VDE Approvals</a>	VDE	Certificate Number: 40052999
	<a href="#">UL Approvals</a>	UL	UL File Number: E495089





**Application standards**

Application standards where the product can be used

Organization	Design	Standard	Description
	Designed for applications acc.	IEC/UL 62368-1	IEC 62368-1 includes the basic requirements for safety of audio, video, information technology and office equipment.

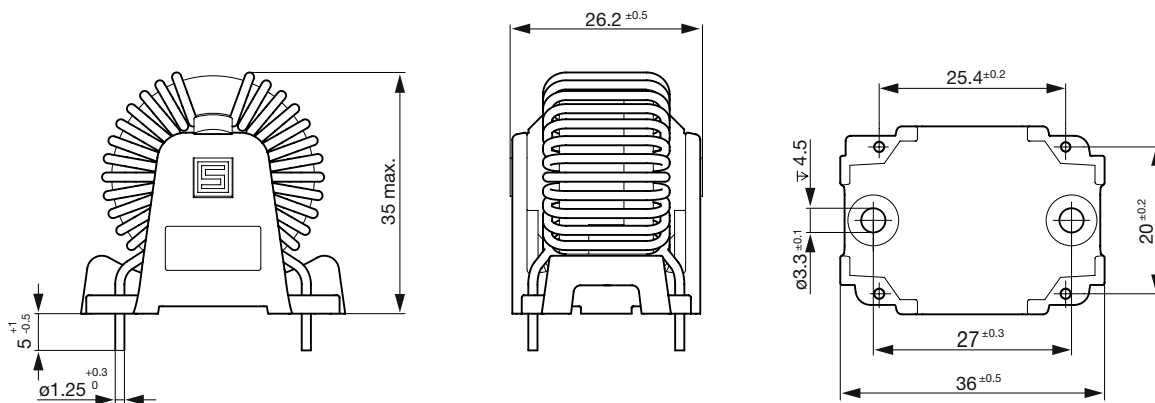
## Compliances

The product complies with following Guide Lines

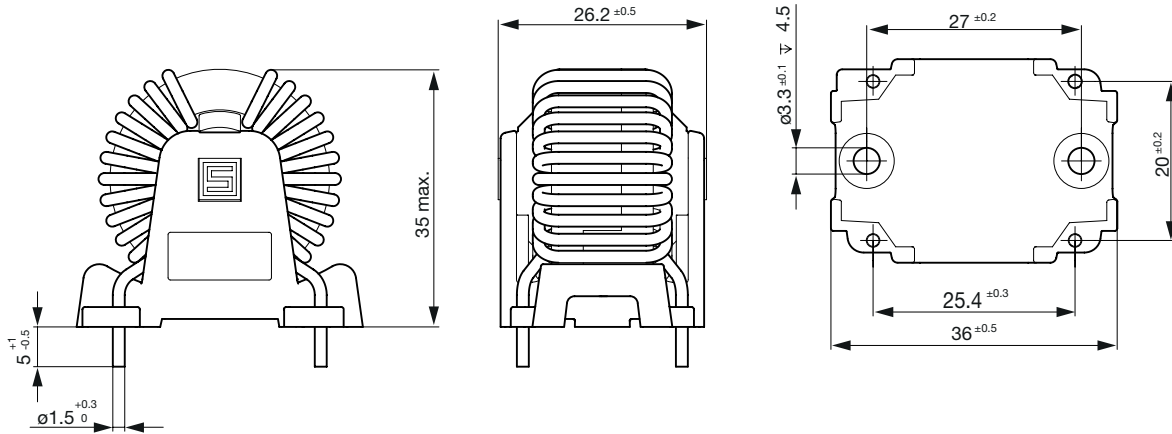
Identification	Details	Initiator	Description
	<a href="#">CE declaration of conformity</a>	SCHURTER AG	The CE marking declares that the product complies with the applicable requirements laid down in the harmonisation of Community legislation on its affixing in accordance with EU Regulation 765/2008.
	RoHS	SCHURTER AG	Directive RoHS 2011/65/EU, Amendment (EU) 2015/863
	China RoHS	SCHURTER AG	The law SJ / T 11363-2006 (China RoHS) has been in force since 1 March 2007. It is similar to the EU directive RoHS.
	REACH	SCHURTER AG	On 1 June 2007, Regulation (EC) No 1907/2006 on the Registration, Evaluation, Authorization and Restriction of Chemicals 1 (abbreviated as "REACH") entered into force.

## Dimensions [mm]

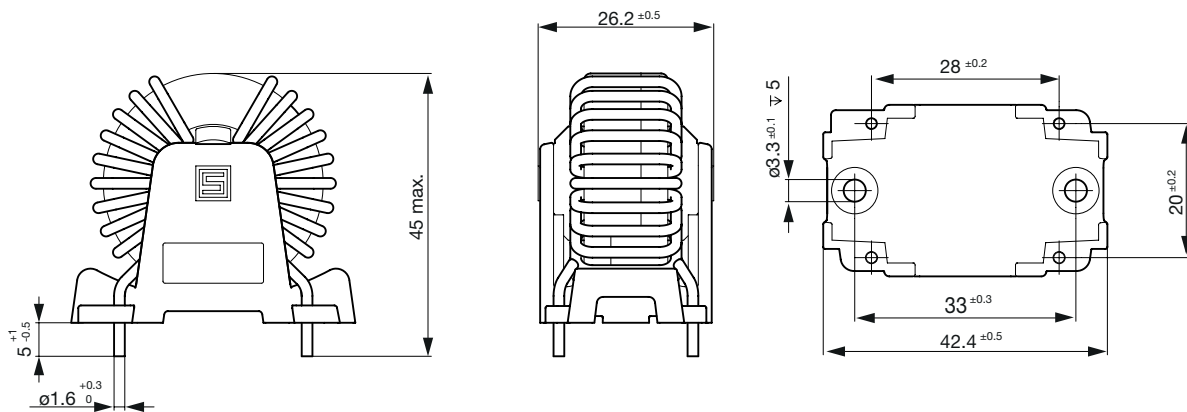
36-10



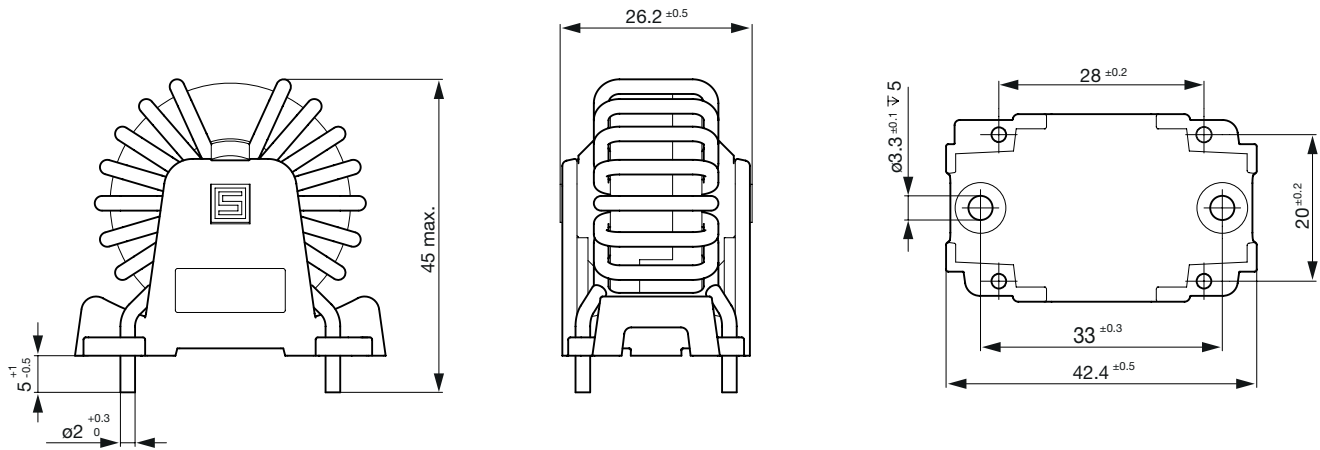
36-12



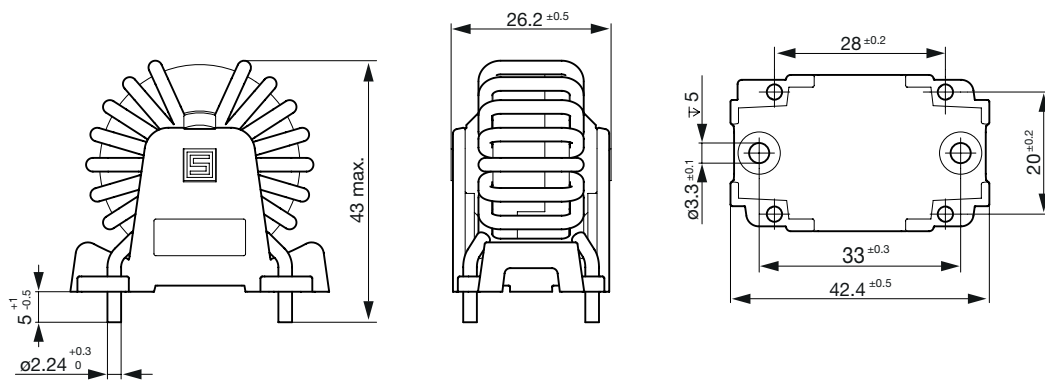
43-16



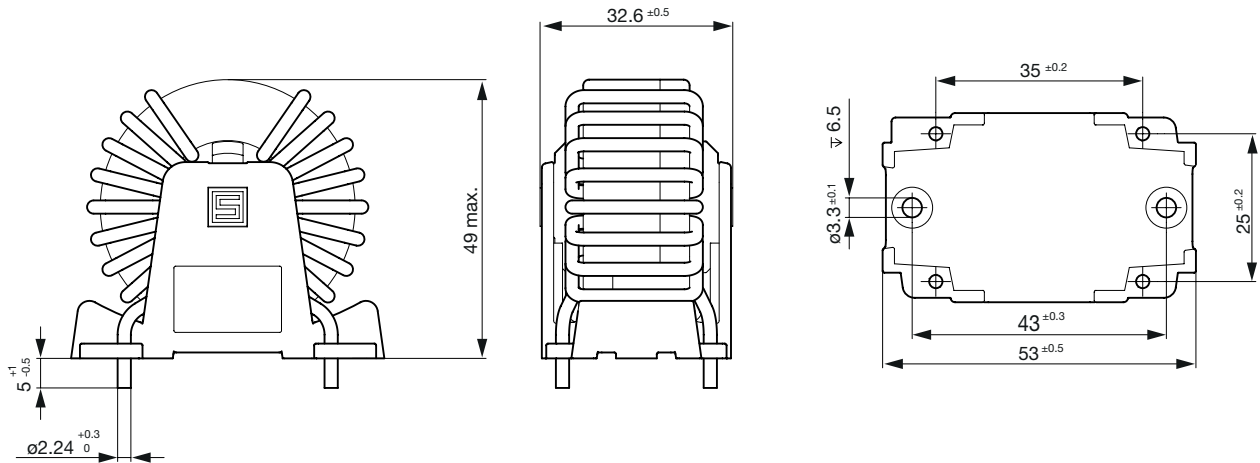
43-20



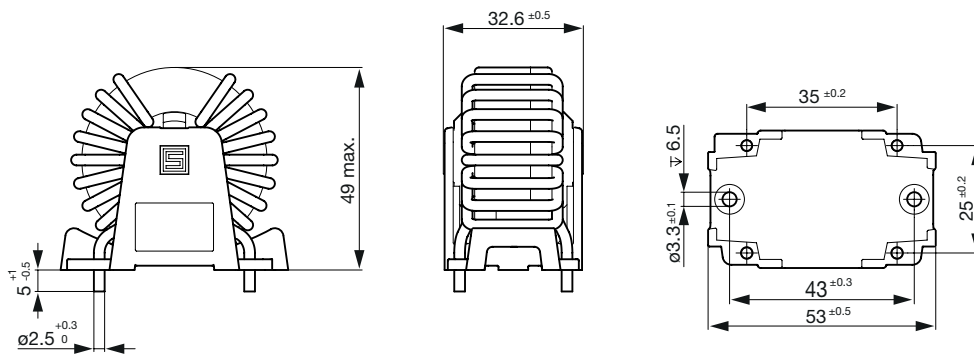
43-25



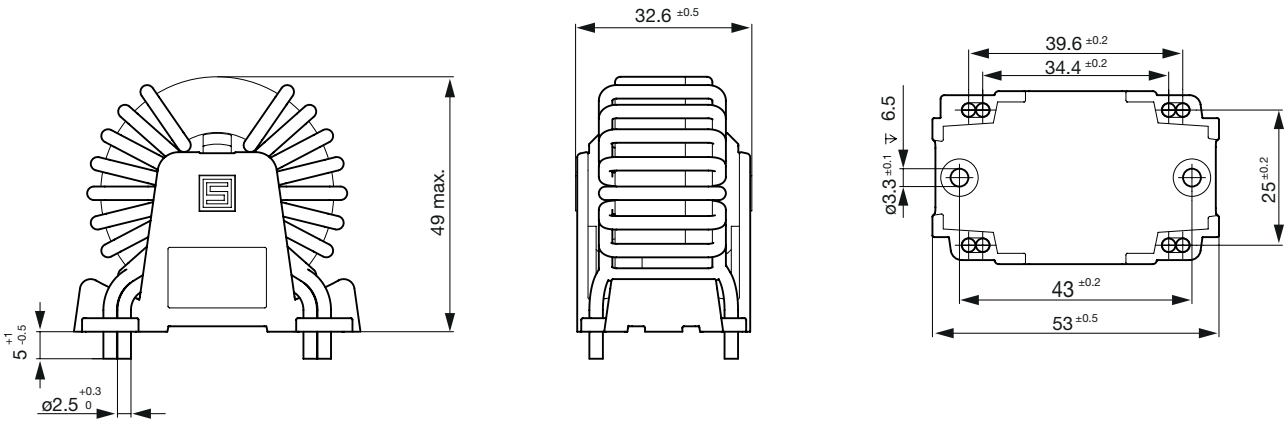
53-32



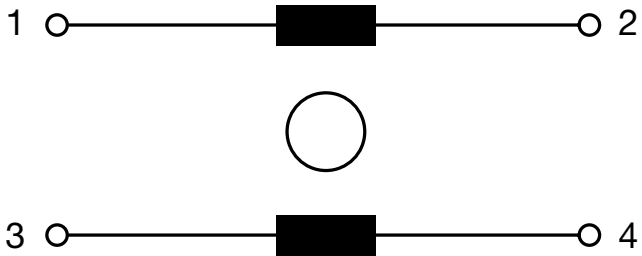
53-40



53-50



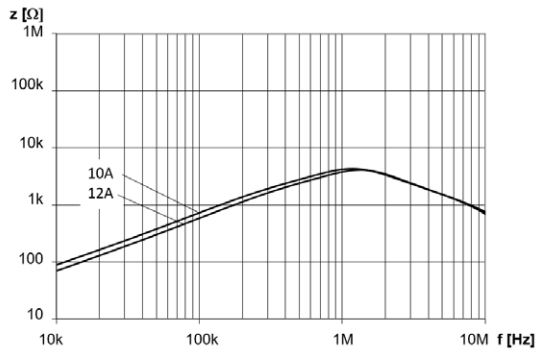
Diagrams



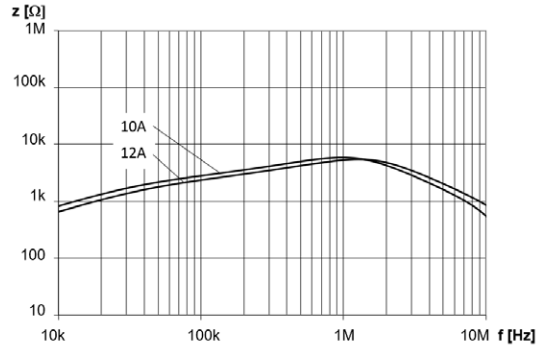
1 phase

Impedance curves

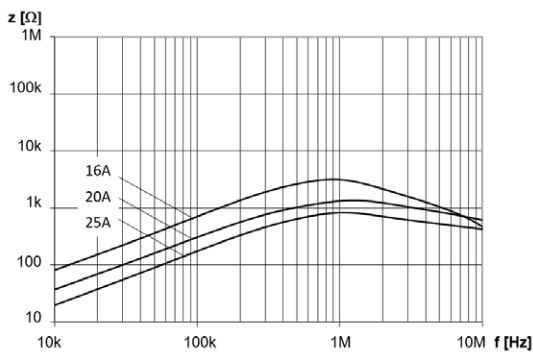
DKIV-1 10-12A



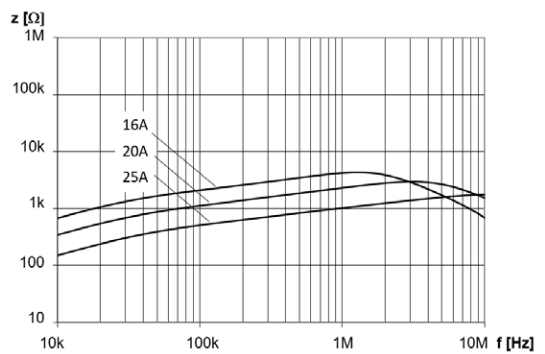
DKIV-1 10-12A NK



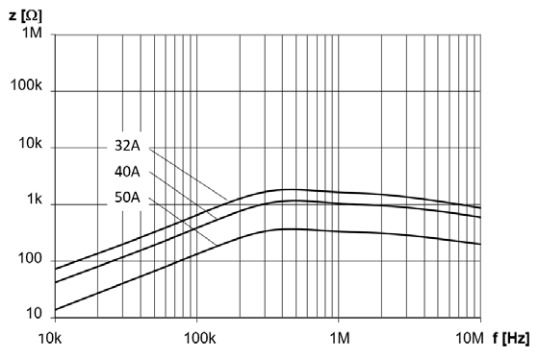
DKIV-1 16-25A



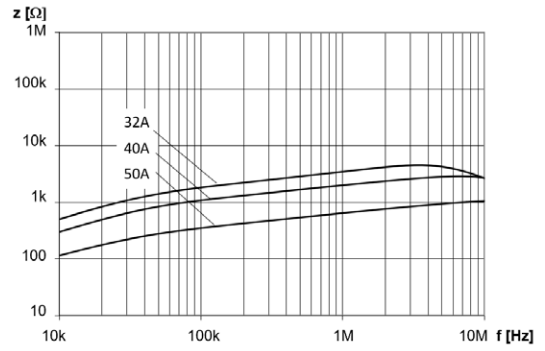
DKIV-1 16-25A NK



DKIV-1 32-50A



DKIV-1 32-50A NK



All Variants

$I_n$ [A]	Nanocrystalline core [NK]	$L_n$ [mH]	$R_{cu}$ [mΩ]	Tripped Power Dissipation [W]	$f_{RES}$ [MHz]	Copper $\phi$ [mm]	Weight [g]	Housings	Packing unit [pcs.]	Order Number
10	-	1	10	2	1.19	1.25	25 g	36-10	40	<a href="#">3-127-596</a>
10	NK	8.2	10	2	0.97	1.25	35 g	36-10	40	<a href="#">3-127-620</a>
12	-	0.9	7	2.02	1.35	1.5	35 g	36-12	40	<a href="#">3-127-597</a>
12	NK	7.2	7	2.02	1.26	1.5	40 g	36-12	40	<a href="#">3-127-621</a>
16	-	0.9	5.7	2.92	0.91	1.6	50 g	43-16	40	<a href="#">3-127-598</a>
16	NK	7.3	5.7	2.92	1.26	1.6	50 g	43-16	40	<a href="#">3-127-622</a>
20	-	0.5	2.7	2.16	1.26	2	55 g	43-20	40	<a href="#">3-127-599</a>
20	NK	3.7	2.7	2.16	3.17	2	55 g	43-20	40	<a href="#">3-127-623</a>
25	-	0.23	1.7	2.13	1.04	2.24	55 g	43-25	40	<a href="#">3-127-600</a>
25	NK	1.8	1.7	2.13	10.3	2.24	55 g	43-25	40	<a href="#">3-127-624</a>
32	-	0.75	2.6	5.32	0.47	2.24	112 g	53-32	20	<a href="#">3-127-601</a>
32	NK	7.2	2.6	5.32	3.62	2.24	125 g	53-32	20	<a href="#">3-127-625</a>
40	-	0.45	1.7	5.44	0.5	2.5	112 g	53-40	20	<a href="#">3-127-614</a>

$I_n$ [A]	Nanocrystalline core [NK]	$L_n$ [mH]	$R_{cu}$ [mΩ]	Tripped Power Dissipation [W]	$f_{RES}$ [MHz]	Copper ø [mm]	Weight [g]	Housings	Packing unit [pcs.]	Order Number
40	NK	4.3	1.7	5.44	6.54	2.5	125 g	53-40	20	3-127-626
50	-	0.15	0.5	2.5	0.47	2 x 2.5	125 g	53-50	20	3-127-619
50	NK	1.4	0.5	2.5	13.46	2 x 2.5	140 g	53-50	20	3-127-627

Most Popular:

Availability for all products can be searched real-time: <https://www.schurter.com/en/Stock-Check/Stock-Check-SCHURTER>