

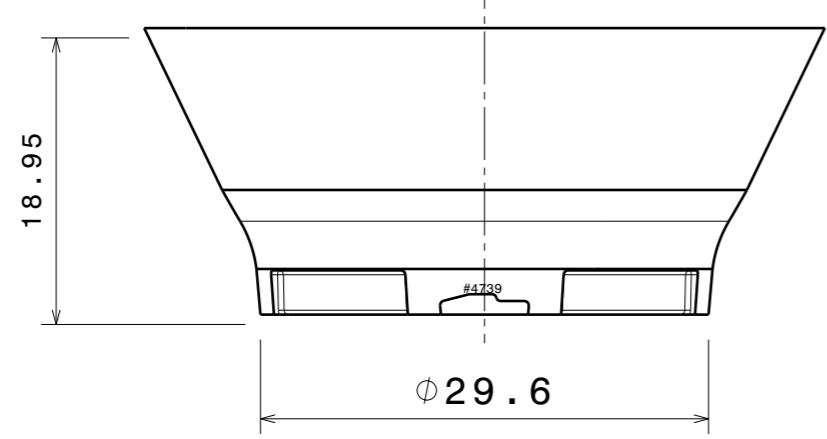
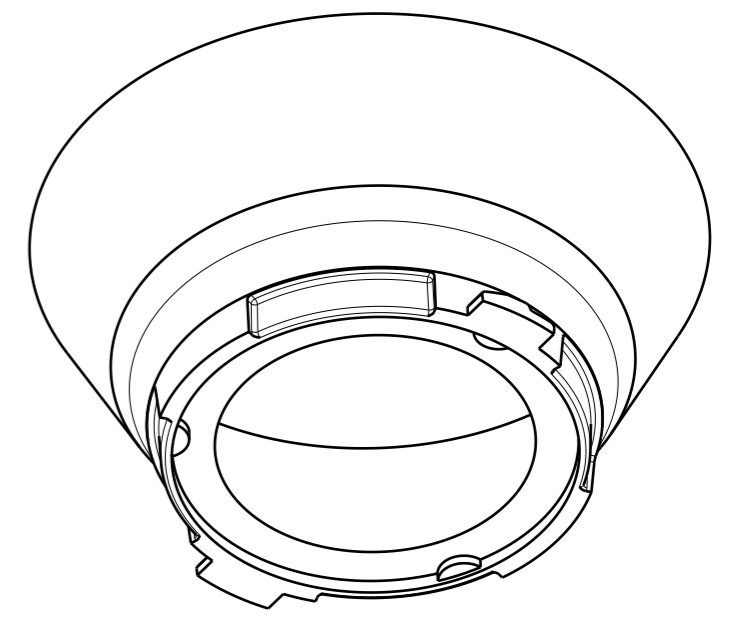
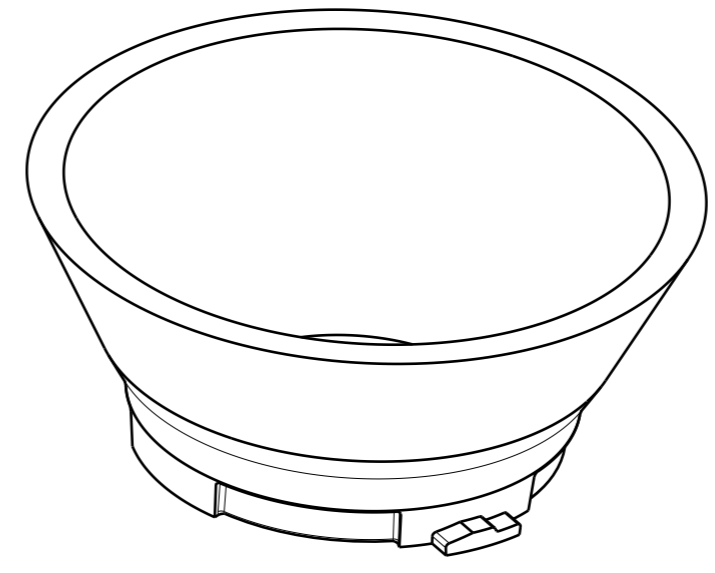
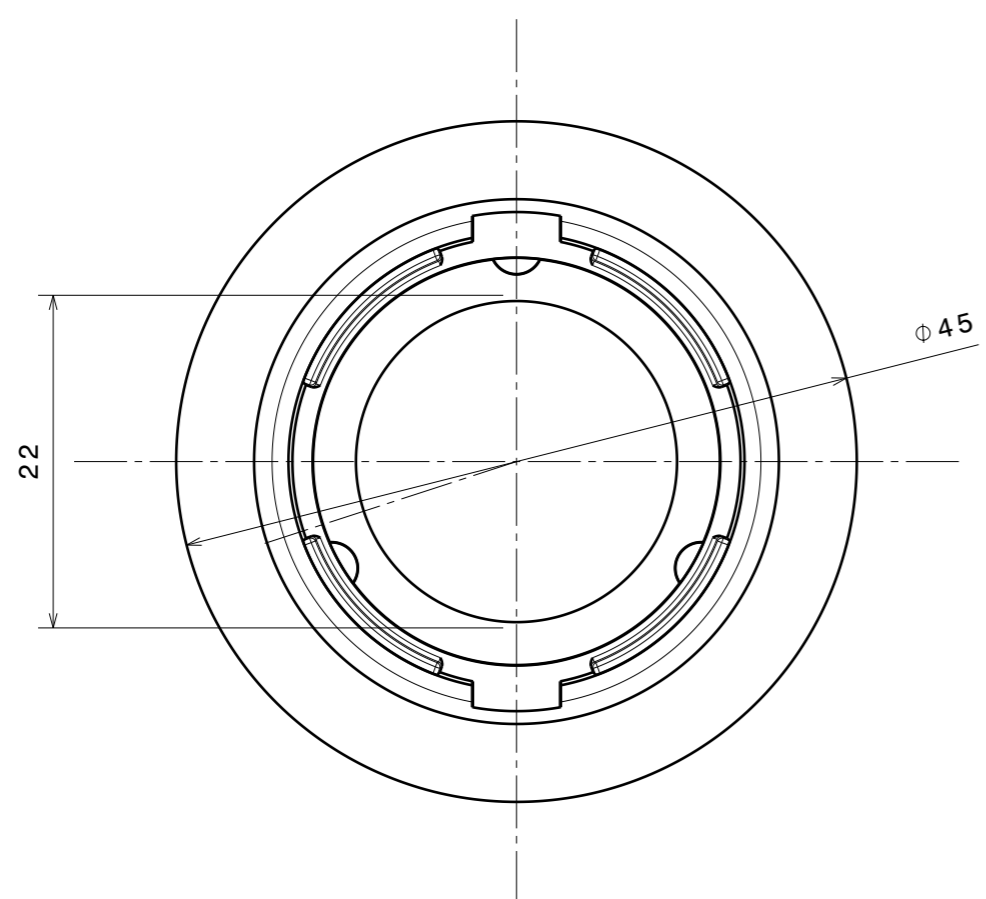
**Product number** F14738_BROOKE-G2-S

Family	Brooke	FWHM	NULL degrees
Type	Reflector	Efficiency	-
LED	Dummy	cd/lm	-
Color	Metal	Gerber File	Available
Diameter	45 mm		
Height	19.7 mm		
Style	Round		
Optic Material	PC		
Holder Material	-		
Fastening	["socket"]		
Status	Production ready		

NOTE: The typical divergence will be changed by different color, chip size and chip position tolerance. The typical total divergence is the full angle measured where the luminous intensity is half of the peak value.

H G F E D C B A

REV	DATE	DESCRIPTION	DONE BY
002	21.12.2015	Fixing area change	jk



INDEX	PART NO	DESCRIPTION	MATERIAL	COLOUR
1	F14738	BROOKE-G2-S	PC	metal

Tolerances if not otherwise shown
 According to DIN ISO 2768-1
 Linear measures:
 Up to 30mm class F_M, otherwise see class MC.
 According to DIN ISO 2768-2
 Form and position: class K
 Control for SPC marked dimensions.

LEDiL Ledil Oy
 Salorankatu 10
 FIN 24240 SALO
 Finland

THIRD ANGLE PROJECTION:

DRAWING TITLE
F14738_BROOKE-G2-S Datasheet

This drawing is the property of LEDiL Oy. It may not be reproduced, copied or communicated without a written agreement with LEDiL Oy.

SIZE	PART NUMBER
A3	F14738

SCALE	1:1	WEIGHT	4,5 g	SHEET	1/1
-------	-----	--------	-------	-------	-----

H G B A