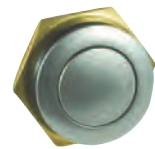


Series 57M-SS

16MM MINIATURE PANEL SEALED METAL

The 57M is a miniature switch designed for rugged environments. The housing is zinc alloy with velour chrome plating. It is available as maintained or momentary action, solid-state operation with Gold plated contacts and solder terminals. It is ideal for a multitude of applications.



ACTUAL SIZE

APPLICATIONS

- Security Equipment
- Industrial Control
- Medical Equipment
- Military Equipment
- Food Processing
- Transportation
- Computers

KEY FEATURES:

- Zinc Alloy/Velour Chrome Plated
- Center Spot LED and Non-Lighted Versions
- Maintained or Momentary Action
- Panel Sealed to IP67
- RoHS Compliant
- Solid State
- Gold Plated Contacts and Terminals

ORDERING INFORMATION:

SWITCH FUNCTION:	HOUSING MATERIAL:	ILLUMINATION †:	LED COLOR:	VOLTAGE RESISTOR
3. SOLID STATE, MOMENTARY, SOLDER TERMINAL	1. ZINC ALLOY, VELOUR CHROME PLATED	0. NON-LIT	N. NONE	IF BLANK *
4. SOLID STATE, MAINTAINED, SOLDER TERMINAL	2. ZINC ALLOY, MIRROR BLACK	1. CENTER SPOT ILLUMINATION	G. GREEN L.E.D.	05 5V FORWARD
7. SOLID STATE, MOMENTARY, PC TERMINAL		2. RING ILLUMINATION	R. RED L.E.D.	12 12V FORWARD **
8. SOLID STATE, MAINTAINED, PC TERMINAL		3. STANBY LOGO ILLUMINATION	A. AMBER L.E.D.	24 24V FORWARD **
C. SOLID STATE, , MOMENTARY, WIRE LEADS			B. BLUE L.E.D.	
D. SOLID STATE, , MAINTAINED, WIRE LEADS			W. WHITE L.E.D.	
9. SPECIAL, DIGITS ARE IN SERIAL ORDER			RB. RED/BLUE L.E.D.	
			RG. RED/GREEN L.E.D.	

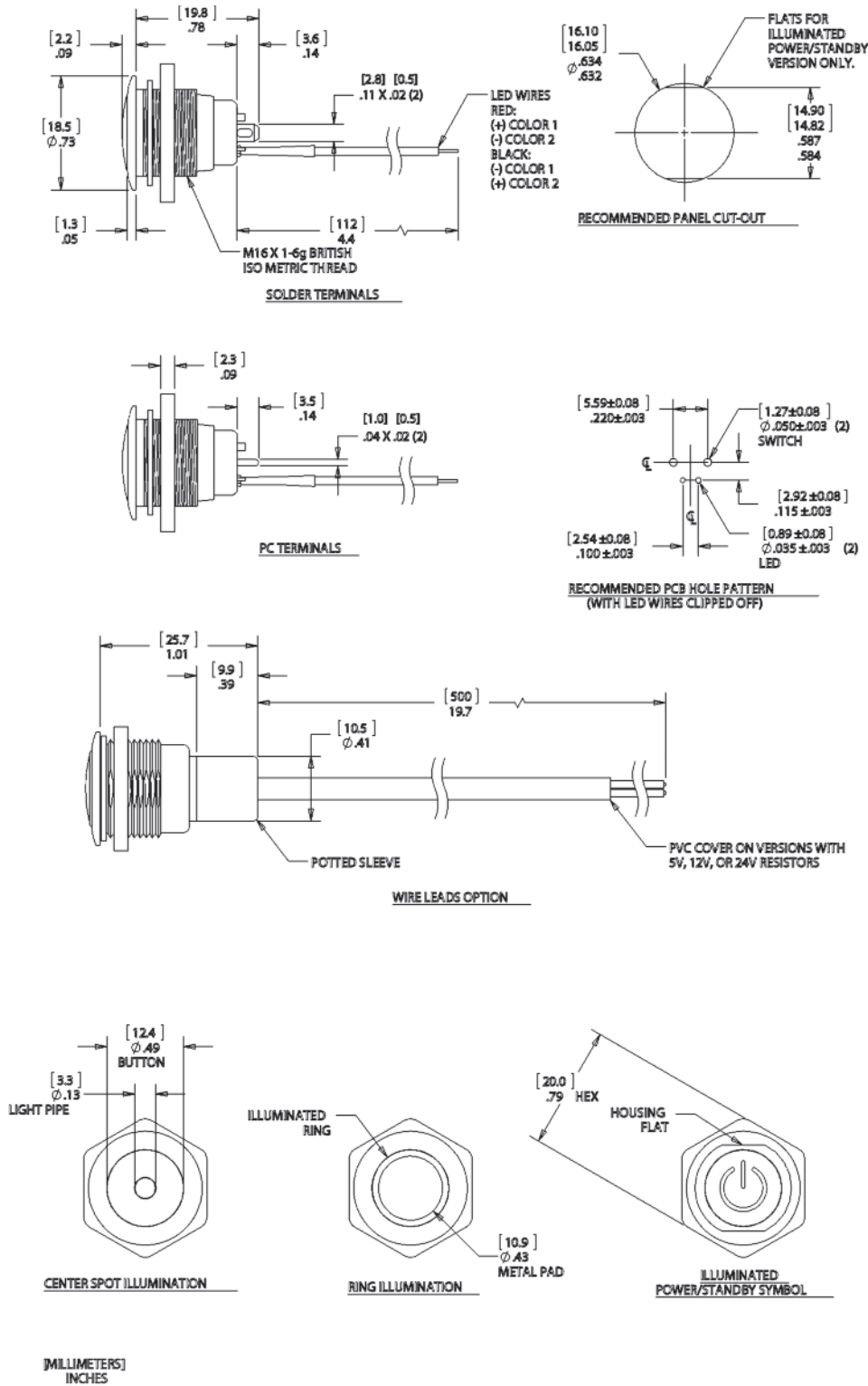
57M- [] [] [] [] []

† Lighted switches come with wires on LEDs to protect from solder heat.
 * Current limiting resistor is required to limit LED forward current to 20 mA (not included).
 ** 12 and 24 V resistors are available with wirelead versions only.

STANDARDS / AGENCY / RATINGS:



PRODUCT DRAWINGS



MECHANICAL CHARACTERISTICS

CIRCUIT:
SPST-NO-DB (FORM X)

BUTTON TRAVEL (NOM):
[2.3] .09

OPERATING FORCE (NOM):
[3N] 306g

PANEL THICKNESS:
[0.0 to 6.0] .00 to .24

NUT TORQUE (MAX):
[11.5 kgf/cm] 10 lb/in

HARDWARE:

BULK PACKAGED SEALING WASHER AND HEX NUT ARE INCLUDED.

ENVIRONMENTAL SPECIFICATIONS

ACTUATOR INGRESS PROTECTION:
IP67

OPERATING TEMPERATURE:
NON-LIT: [-40 C to +85 C]
-40 F to +185 F
ILLUMINATED: [-25 C to +85 C]
-13 F to +185 F

ELECTRICAL SPECIFICATIONS

SUPPLY VOLTAGE:
4.2V TO 24V, 26.5 MAX

SUPPLY CURRENT:
B<Brp, Vcc=12V:
3mA TYP to 8mA MAX
B>Bop, Vcc=12V:
4mA TYP to 8mA MAX

OUTPUT LOAD:
SINKING (I out MAX = 25mA)

REVERSE BATTERY VOLTAGE:
-30V MAX

REVERSE OUTPUT CURRENT:
-50mA MAX

SWITCH LIFE:
MOMENTARY: 1,000,000 CYCLES
MAINTAINED: 50,000 CYCLES

WIRE LEADS:
UL STYLE 1007
26 AWG, STRANDED